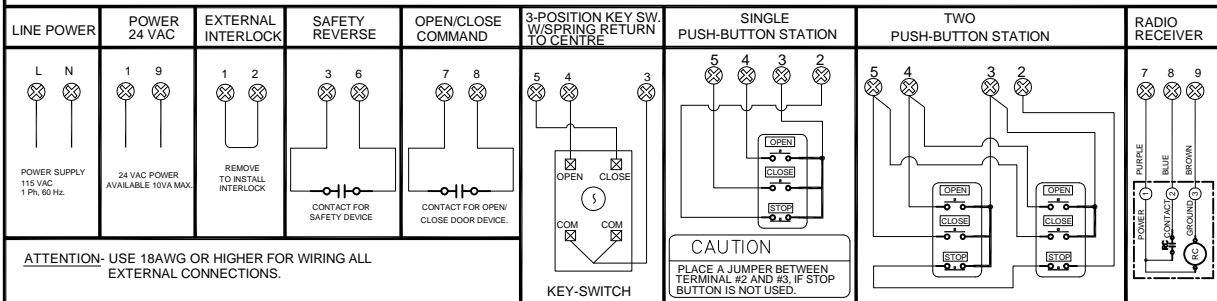


EXTERNAL WIRING



ON SITE MODIFICATIONS

WARNING

 MOTORIZED DOORS CAN CAUSE SERIOUS INJURIES OR DEATH. MANARAS OPERA STRONGLY RECOMMENDS THE USE OF ENTRAPMENT PROTECTION SYSTEMS, ESPECIALLY IN THE CASES OF MOMENTARY CONTACT TO CLOSE AS IN B2 WIRING.

NOTE-(C2)/ (B2)

- C2 ⇨ B2 REMOVE THE RED WIRE WITH RAPID CONNECTOR FROM TERMINAL #10, AND TRANSFER IT TO TERMINAL #5.
- B2 ⇨ C2 REMOVE THE RED WIRE WITH RADID CONNECTOR FROM TERMINAL #5, AND TRANSFER IT TO TERMINAL #10.

TITLE WIRING DIAGRAM- MEDIUM DUTY, 120 VAC 1-PH

DRAWN BY: BP	DATE: 27.FEB.2002	CAD FILE: EDWG11HWLR3901	REV: K	DATE: 02.NOV.2012
MANARAS-OPERA 136 ONEIDA DRIVE POINTE-CLAIRE, QC H9R 1A8 TEL: 1-800-361-2260 FAX: 1-888-626-0606				

THE INFORMATION CONTAINED HEREIN IS PROPRIETARY TO MANARAS-OPERA, AND SHALL NOT BE REPRODUCED OR DISCLOSED OR USED FOR ANY DESIGN OR MANUFACTURE EXCEPT WHEN USER POSSESSES DIRECT WRITTEN AUTHORIZATION FROM MANARAS-OPERA.