



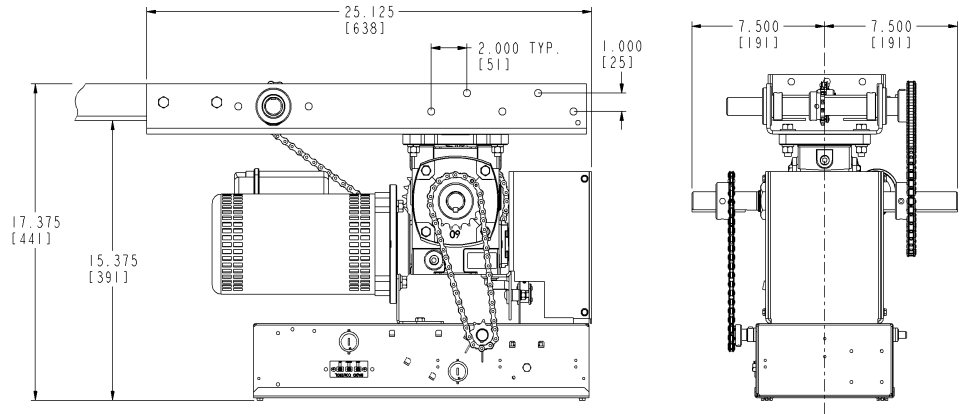
**Project Details**

Date: \_\_\_\_\_  
 Drawing No.: \_\_\_\_\_  
 Architect/Engineer: \_\_\_\_\_  
 Customer: \_\_\_\_\_

Page: \_\_\_\_\_ of \_\_\_\_\_  
 Project No.: \_\_\_\_\_  
 Project Name: \_\_\_\_\_  
 Contractor: \_\_\_\_\_

**Dimensions & Ratings**

Motor Amperage Rating					
HP	Voltage - Phase				
	115V - 1PH	230V - 1PH	208/230V - 3PH	460V - 3PH	575V - 3PH
1/2	9,0	4,5	2,2	1,1	-
3/4	11,2	5,6	3,2	1,5	1,2
1	13,6	6,8	3,7	1,7	1,4
1-1/2	19,6	9,8	5,3	2,5	2,0



Reg. T.M. 9141-0720 Québec Inc.

**Ordering Specifications**

Quantity: \_\_\_\_\_  
 Horsepower: \_\_\_\_\_  
 Phase: \_\_\_\_\_

Model: \_\_\_\_\_  
 Volts: \_\_\_\_\_  
 Hertz: \_\_\_\_\_

Door Type: \_\_\_\_\_  
 Door Shaft Height: \_\_\_\_\_ H

Door Width/Height: \_\_\_\_\_ W x \_\_\_\_\_ H

Operator Nema Rating: \_\_\_\_\_  
 3-Push Button Station Rating: \_\_\_\_\_

Qty 3-PB Station(s)/Operator: \_\_\_\_\_  
 (One 3-PB station supplied/operator unless otherwise noted)

Motor Circuit Type: \_\_\_\_\_

Photo Cell Upgrade: \_\_\_\_\_  
 (Nema-1 rating supplied unless otherwise noted)

**Additional Equipment & Options**

\_\_\_\_\_  
 \_\_\_\_\_  
 \_\_\_\_\_  
 \_\_\_\_\_

*Refer to the operator's Specification Sheet and/or Wiring Diagram for General Information*