



# OMT

## Architectural Shop Drawing

# Trolley Operator

## Medium-Duty

### Project Details

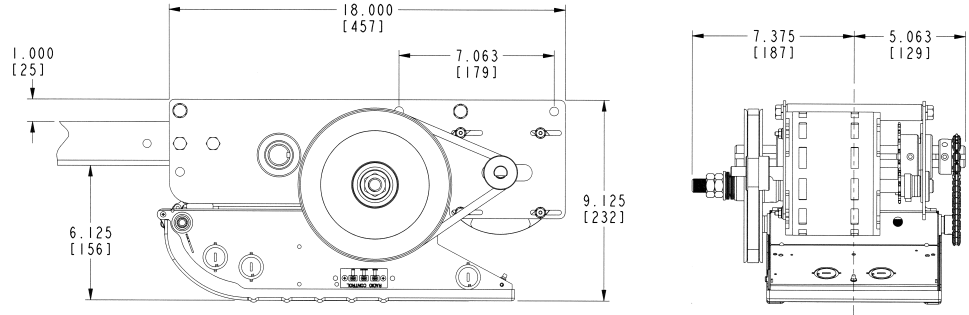
Date: \_\_\_\_\_  
 Drawing No.: \_\_\_\_\_  
 Architect/Engineer: \_\_\_\_\_  
 Customer: \_\_\_\_\_

Page: \_\_\_\_\_ of \_\_\_\_\_  
 Project No.: \_\_\_\_\_  
 Project Name: \_\_\_\_\_  
 Contractor: \_\_\_\_\_

### Dimensions & Ratings

Motor Amperage Rating					
HP	Voltage - Phase				
	120V - 1PH	240V - 1PH	208/240V - 3PH	480V - 3PH	600V - 3PH
1/2	5.0	-	-	-	-

Reg. T.M. 9141-0720 Québec Inc.



### Ordering Specifications

Quantity: \_\_\_\_\_  
 Horsepower: \_\_\_\_\_  
 Phase: \_\_\_\_\_

Model: \_\_\_\_\_  
 Volts: \_\_\_\_\_  
 Hertz: \_\_\_\_\_

Door Type: \_\_\_\_\_  
 Door Shaft Height: \_\_\_\_\_ H

Door Width/Height: \_\_\_\_\_ W x \_\_\_\_\_ H

Operator Nema Rating: \_\_\_\_\_  
 3-Push Button Station Rating: \_\_\_\_\_

Qty 3-PB Station(s)/Operator: \_\_\_\_\_  
 (One 3-PB station supplied/operator unless otherwise noted)

Motor Circuit Type: \_\_\_\_\_

Photo Cell Upgrade: \_\_\_\_\_  
 (Nema-1 rating supplied unless otherwise noted)

### Additional Equipment & Options

---



---



---



---

*Refer to the operator's Specification Sheet and/or Wiring Diagram for General Information*