



# OTBH-A.06 *Silencio Trolley Apartment*

Architectural Shop Drawing Heavy-Duty High Cycle

## Project Details

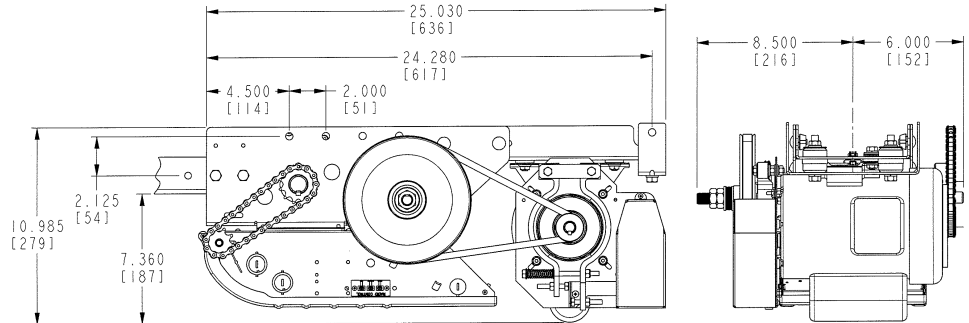
Date: \_\_\_\_\_  
 Drawing No.: \_\_\_\_\_  
 Architect/Engineer: \_\_\_\_\_  
 Customer: \_\_\_\_\_

Page: \_\_\_\_\_ of \_\_\_\_\_  
 Project No.: \_\_\_\_\_  
 Project Name: \_\_\_\_\_  
 Contractor: \_\_\_\_\_

## Dimensions & Ratings

Motor Amperage Rating						
HP	Voltage - Phase					
	115V - 1PH	230V - 1PH	208/230V - 3PH	460V - 3PH	575V - 3PH	
1/2	6,6	3,3	2,2	1,1	0,9	
3/4	11,0	5,5	2,8	1,4	1,1	
1	13,4	6,7	3,6	1,8	1,5	

Reg. T.M. 9141-0720 Québec Inc.



## Ordering Specifications

Quantity: \_\_\_\_\_  
 Horsepower: \_\_\_\_\_  
 Phase: \_\_\_\_\_

Model: \_\_\_\_\_  
 Volts: \_\_\_\_\_  
 Hertz: \_\_\_\_\_

Door Type: \_\_\_\_\_  
 Door Shaft Height: \_\_\_\_\_ H

Door Width/Height: \_\_\_\_\_ W x \_\_\_\_\_ H

Qty 3-PB Station(s)/Operator: \_\_\_\_\_  
 (One 3-PB station supplied/operator unless otherwise noted)

3-Push Button Station Rating: \_\_\_\_\_

Motor Circuit Type: \_\_\_\_\_

Photo Cell Upgrade: \_\_\_\_\_  
 (Nema-1 rating supplied unless otherwise noted)

## Additional Equipment & Options

\_\_\_\_\_  
 \_\_\_\_\_  
 \_\_\_\_\_  
 \_\_\_\_\_

*Refer to the operator's Specification Sheet and/or Wiring Diagram for General Information*