



GHX

Jackshaft Operator

Architectural Shop Drawing Heavy-Duty Industrial Gear Head
Nema 7/9 - Hazardous Location Protection

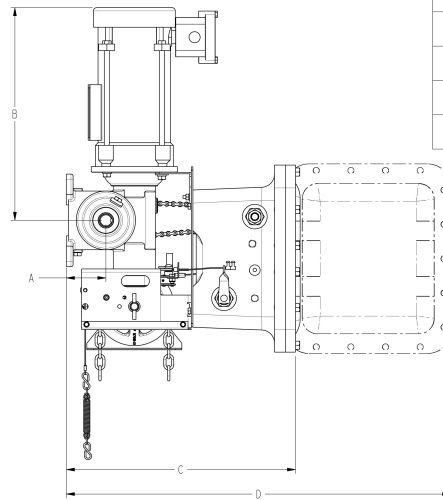
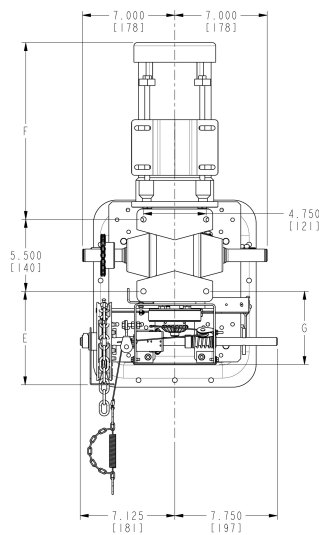
Project Details

Date: _____
 Drawing No.: _____
 Architect/Engineer: _____
 Customer: _____

Page: _____ of _____
 Project No.: _____
 Project Name: _____
 Contractor: _____

Dimensions and Ratings

Motor Amperage Rating – Nema 7/9					
HP	Voltage - Phase				
	120V - 1PH	240V - 1PH	208/240V - 3PH	480V - 3PH	600V - 3PH
1/2	8.6	4.1	2.2	1.1	-
3/4	10.4	5.2	2.8	1.4	1,1
1	13.4	6.7	3.4	1.7	1.4
1,5	18.6	9.3	4.8	2.4	1.9
2	-	-	6.2	3.1	2.5



	UP TO 1 HP	1.5 & 2 HP
A	3.000 [76]	3.500 [89]
B	17.250 MAX. [438]	19.875 MAX. [505]
C	17.375 [440]	18.625 [473]
D	29.125 [740]	30.375 [759]
E	7.250 [184]	7.375 [187]
F	14.500 MAX. [368]	17.125 MAX. [435]
G	5.750 [147]	5.875 [149]

Ordering Specifications

Quantity: _____
 Horsepower: _____
 Phase: _____

Door Type: _____
 Door Shaft Height: _____ H
 Amount of High Lift: _____ H
 Drum Type/Size: _____
 Barrel Diameter: _____ Ø

Operator Nema Rating: _____
 3-Push Button Station Rating: _____

Motor Circuit Type: _____

Model: _____
 Volts: _____
 Hertz: _____

Door Width/Height: _____ W x _____ H
 Drive Sprocket: _____
 Drive Sprocket & Chain: _____
 Hand Chain: _____
 Friction Clutch: _____

Qty 3-PB Station(s)/Operator: _____

Photo Cell: _____



GHX

Jackshaft Operator

Architectural Shop Drawing Heavy-Duty Industrial Gear Head
Nema 7/9 - Hazardous Location Protection

Additional Equipment & Options

Refer to the operator's Specification Sheet and/or Wiring Diagram for General Information