

Product Specification Sheet



OPERA-SH-DR

JACKSHAFT OPERATOR WITH
SEPARATE CONTROL PANEL FOR SEMI-FAST DOORS

STANDARD FEATURES

- **Electrical Supply:**
120V 60Hz nominal, mono-phase.
- **Motor:**
60Hz high starting torque, continuous-duty, 3 phase switchless motor, open drip proof, protected against overload.
- **Reduction:**
First step in reduction 5L/Bx section cogged V-belt drive, additional steps by chain and sprockets. Input shaft is 3/4", supported by cast iron flanged pillow block bearings. Output shaft is 1" with 1/4" keyway, supported by cast iron flanged pillow block bearings. Output shaft speed: 88 rpm standard.
- **Clutch:**
Friction type, positioned on input shaft, easily adjustable from outside.
- **Drive:**
#50 roller chain with sprockets selected for 12"/sec or 18"/sec door travel.
- **Brake:**
Electrically activated drum-band type solenoid brake.
- **Manual Operation:**
Emergency manual chain hoist. Floor level chain hoist engaging device with electrical cut-out. An electrical interlock automatically disconnects power to the motor operator when chain hoist is engaged. Hoist on right is standard.
- **Electrical Enclosure:**
All electrical components are in a Nema 1 enclosure. Hinged electrical enclosure cover.
- **Limit System:**
Rotary-type oil-impregnated steel cams, commercial grade switches. Limit shaft is supported by self-lubricating bronze bushings for increased precision. Remains in time when there is a manual operation or after the motor has been removed.
- **Accu-cam® Feature:**
Precise and quick one-handed adjustment of the limits.
- **Corrosion Protection:**
Frame and operator enclosure protected by baked on, long lasting enamel finish. Polymer operator control box cover. All shafts protected by yellow chromate coating.
- **Mounting:**
Operator can be wall, hood, or shelf mounted on the right or on the left of the door. Separate control panel ready for wall mounting.
- **Shipping Weight:**
Approx. 96 Lbs - 44 Kg (operator) + panel.
- **Warranty:**
2 Years.

Adjustable Soft-Start and Soft-Stop

Improves the longevity of the complete door system

Separate Control Panel

Control board and speed managing device

120V Single Phase Input/ 208V Three Phase Switchless Motor

Cast Iron Pillow Block Bearings

Flanged pillow block bearings on the input and output shafts

Accu-cam® Limit Feature

For precise and quick one-hand limit setting adjustments



The Opera-SH-DR is an ultra high-end heavy-duty V-belt drive industrial operator designed for use on standard, high and vertical lift sectional doors or rolling doors and grilles.

The operator manages Soft-Starts and Soft-Stops for improved longevity of the complete door system and allows for a faster door speed at the same horsepower.

The operator can be wall, hood, or shelf mounted on either side of the door. It incorporates a chain hoist for manual operation, with a floor level engaging device.

A separate control panel is provided, which includes a speed managing device and a Manaras-Opera Electronic Control Board.



When you think
Commercial Door OPERATORS,
just think OPERA.

800-361-2260
info@manaras.com
www.manaras.com

CONTROL

• Electronic Control Board:



40VA class II transformer and non-volatile memory. Programmable speed control device. Features available: 1.5s delay on reverse, programmable maximum run timer, mid-stop, timer to close, advance close system, test buttons, reverse wiring detection and door lock sensor. Operating mode selectable on site: C2, B2, D1, E2, T or TS.

Certifications: CSA C22.2/0,0.4,14,94 and UL 50,508,508A.

Note: CSA C22.2-247.92 and UL325 apply to units intended to be used in ordinary locations in accordance with the Canadian Electrical Code, Part I and the National Electrical Code, NFPA 70, respectively.

MAIN OPTIONS

• Control Accessories:

Separate control panel terminal strip allows for the connection of 3-button stations (one supplied with the operator), non-monitored sensing edges, non-monitored photo cells, one push-button radio control (external strip), ceiling pull switches, key switches, loop detectors, external interlocks, plug-in radio card and universal auxiliary output module. 2A fuse protected 24VAc output is available for accessory power supply.

• Environmental Modifications:

NEMA 4/12 and NEMA 4X operator enclosures.

• Mechanical Accessories:

Wall or hood mounting bracket, chain spreader, etc... consult inside sales.

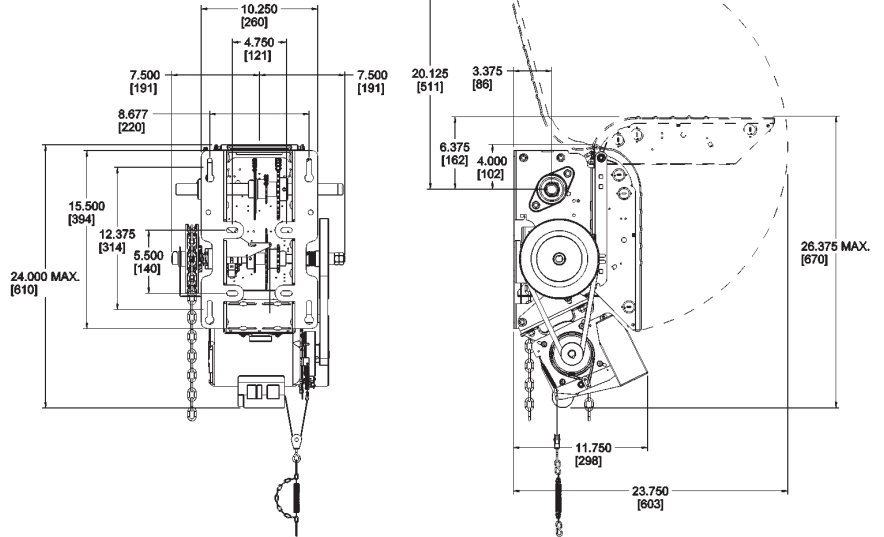
• Mechanical Modifications:

Left hand chain hoist, etc...consult inside sales.

DIMENSIONS

Clearance: Side room required 16" (460 mm)

Separate Panel: 1/2 HP - 12" x 10" x 5"
(Trade size) 1 HP - 16" x 12" x 6"



MOTOR SELECTION

Maximum Size of Door in Square Feet

Horse Power	Rolling Doors					Sectional Doors				
	Insulated Steel	16 ga. Steel	Steel Grilles 20 ga. Steel	Alu. Door 22 ga. Steel	Alu. Grilles 24 ga. Steel	Steel 18 ga. Ins.	Steel 18 ga. 20 ga. Ins.	Wood Steel 20 ga. 22 & 24 ga. Ins.	Aluminum Steel 22 & 24 ga.	Fiber Glass
1/2	157	236	260	319	358	196	245	314	343	392
1	255	358	446	574	613	294	392	490	564	613

General Guideline

OPERATOR RANGE

Current Consumption (Amp.)

Horse Power	120V 1 Ph	240V 1Ph	208/240V 3 Ph	480V 3 Ph	600V 3 Ph
1/2	8.0	4.0	2.1	1.0	0.8
1	13.6	6.8	4.4	2.1	1.6

General Guideline

