

# Product Specification Sheet



## OTBH-A.05

### TROLLEY PREMIUM APARTMENT OPERATOR

#### STANDARD FEATURES

• **Motor:**

60Hz high starting torque, continuous-duty, single phase capacitor start or 3 phase motor, open drip proof, protected against overload. Also available with 50Hz 220V 1 phase and 380V 3 phase motor, consult inside sales.

• **Reduction:**

First step in reduction 4L/Ax section cogged V-belt drive, additional step by #41 chain and sprockets. Input shaft is 5/8", supported by cast iron flanged pillow block bearings. Output shaft is 1" with 1/4" keyway, supported by cast iron flanged pillow block bearings. Output shaft speed: 92 rpm for a door travel of 9"/s.

• **Drive and Trolley Assembly:**

#41 full roller chain drive. Dual, 12 gauge, pre-drilled galvanized tracks provided for doors up to 12Ft in height standard. Additional track lengths are available (max. door height acceptable for the operator limit system is 30Ft). Track spacers 3/4" steel shaft. Trolley made of cast aluminum alloy with chain tension adjustment device.

• **Clutch:**

Friction type, positioned on input shaft, easily adjustable from outside.

• **Brake:**

Electrically activated insulated drum-shoe type solenoid brake. Low vibration braking system provides positional stability and noise reduction.

• **Manual Operation:**

Quick release disconnect arm for manual push-up operation.

• **Electrical Enclosure:**

All electrical components are in a Nema 1 enclosure. Hinged electrical enclosure cover.

• **Limit System:**

Rotary-type oil-impregnated steel cams, commercial grade switches. Limit shaft is supported by self-lubricating bronze bushings for increased precision. Remains in time when there is a manual operation or after the motor has been removed.

• **Accu-cam® Feature:**

Precise and quick one-handed adjustment of the limits.

• **Corrosion Protection:**

Frame and control enclosure protected by baked on, long lasting enamel finish. All shafts protected by yellow chromate coating.

• **Mounting (Low Headroom Design):**

Ceiling-mounted with only 6.25" headroom clearance required below the tracks.

• **Shipping Weight:**

Approx. 73 Lbs - 33 Kg + tracks.

• **Warranty:**

2 Years.



#### Low Headroom Design

Requires only 6.25" of headroom clearance below the tracks

#### Accu-cam® Limit Feature

For precise and quick one-hand limit setting adjustments

#### Hinged Cover

For easy access to components and wiring

#### Low Vibration Braking System

Solenoid anti-vibration mounting provides positional stability and noise reduction

#### Cast Iron Flanged Pillow Block Bearings

Support the input and the output shafts

#### Drum Type Solenoid Brake and Cogged V-belt

For a longer lifetime and easier maintenance

**The OTBH-A.05 is a low headroom apartment type garage door operator designed for use on industrial standard lift sectional doors with high-cycling daily frequency requirements.**

**The operator incorporates a drum-shoe type solenoid brake and a low vibration braking system, which provides additional positional stability and noise reduction.**

**The operator is available with the new Electronic Control Board (BOARD 070) with or without the option of electrical control for MONITORED external entrapment protection devices (UL325-2010 compliant).**



When you think  
Commercial Door OPERATORS,  
**just think OPERA.**

800-361-2260  
info@manaras.com  
www.manaras.com

## CONTROL OPTIONS

### • ECB Units (BOARD 070):

24Vdc relaying circuit with a 40VA class II transformer, non-volatile memory. Features available: On-board radio receiver, 1.5s delay on reverse, programmable maximum run timer, mid-stop, timer to close (suspension possible from floor level), independent input loop terminal, advance close system, test buttons, reverse wiring detection and door lock sensor. Operating mode selectable on site: C2, B2, D1, E2, T or TS.

### • "M" Version:

Provides the monitoring of Primary External Entrapment Protection Devices. Includes monitored photo cells (PHOTO 062 standard). In this mode, Ancillary Entrapment Protection Devices (optional) may be used to supplement primary entrapment protection, such as non-monitored photo cells, 2-wire non-monitored sensing edges and pneumatic sensing edges. Certifications: CSA C22.2-247.92 and UL325.

### • "E" Version:

No monitoring function. Certifications: CSA C22.2-247.92 and compliant to UL325 5th Ed. PRIOR to August 2010 revision.

### • Contactor Units:

24VAC control circuit, 40VA class II transformer, fuse protected on output, heavy-duty across-the-line linear reversing contactor with mechanical interlock.

### • B2/C2 Units:

C2 wiring is standard. B2 can be set very easily by moving one wire. Includes delay on reverse, timer to close, extended reverse protection. Available options: double limits, etc... Certifications: CSA C22.2-247.92 and compliant to UL325 5th Ed. PRIOR to August 2010 revision.

Note: CSA C22.2-247.92 and UL325 apply to units intended to be used in ordinary locations in accordance with the Canadian Electrical Code, Part I and the National Electrical Code, NFPA 70, respectively.

## MAIN OPTIONS

### • Control Accessories:

Angled terminal strip allows for the connection of 3-button stations (one supplied with the operator), non-monitored sensing edges, non-monitored photo cells, one push-button radio control (external strip), ceiling pull switches, key switches, loop detectors, external interlocks, universal auxiliary output module. 2A fuse protected 24VAC output is available for accessory power supply. NEMA 4/12 or NEMA 4X protected monitored photo cells upgrade available.

### • Environmental Modifications:

NEMA 4/12 and NEMA 4X enclosures. For NEMA 7/9, consult inside sales.

### • Mechanical Modifications:

Dual trolley drive, trolley hoist, double v-belt, very heavy-duty front idler, minidepth, etc...consult inside sales.

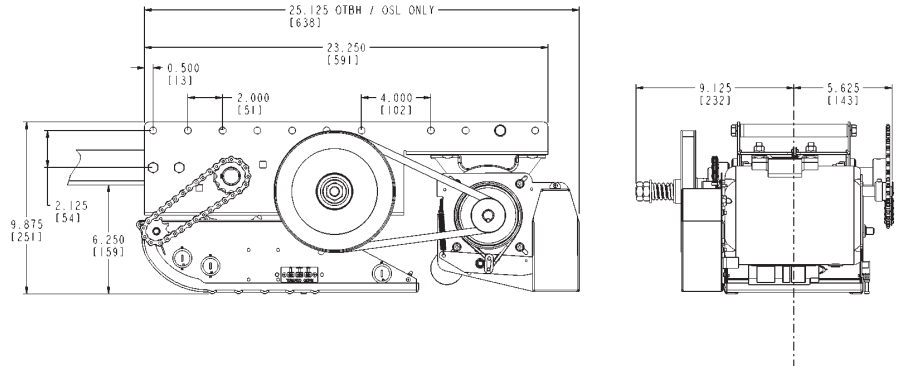
### • Electrical Modifications:

Warning light wiring, contactor-ecb driven, etc...consult inside sales.

## DIMENSIONS

**Back Room:** Door height + 4'5" (1350 mm)

**Head Room For Tracks:** 5.625" (143 mm) above the highest point of door travel



## MOTOR SELECTION

### Maximum Size of Door in Square Feet

Horse Power	Sectional Doors					General Guideline
	Steel 18 ga. Ins.	Steel 18 ga. 20 ga. Ins.	Wood	Steel 20 ga. 22 & 24 ga. Ins.	Aluminum Steel 22 & 24 ga.	
1/2	196	245	314	343	392	
3/4	270	319	441	490	549	
1	294	392	490	564	613	

## OPERATOR RANGE

### Current Consumption (Amp.)

Horse Power	120V 1 Ph	240V 1 Ph	208/240V 3 Ph	480V 3 Ph	600V 3 Ph	General Guideline
1/2	8.0	4.0	2.1	1.0	0.8	
3/4	11.2	5.6	3.2	1.5	1.2	
1	13.6	6.8	4.4	2.1	1.6	

