


## PHOTO070

MONITORED PHOTOELECTRIC CELLS

### STANDARD FEATURES

- Monitored primary external entrapment protection device.
- Compatible with the Electronic Control Board 070M.
- ANSI/UL325 recognized component. 
- Infrared thru-beam technology reduces false reflective signals.
- Nema 1 enclosure.
- Easy alignment with a  $\pm 2^\circ$  tilt in all directions.
- Includes mounting brackets and 30 ft (9.1 m) of cable for easy installation.

### OPTIONS (SEE REVERSE)

- Compatible with ancillary entrapment protection devices.
- Compatible with non-monitored operators with use of an interface module.



- **Small Profile**
- **Simplified Wiring**
- **Easy to Installation and Adjustment**
- **ANSI/UL325 Recognized Component**

**PHOTO070 are easy to use, ANSI/UL325 recognized photoelectric cells. The versatility of the threaded design allows for simple bracket-mounting for an easy installation.**

**If the beam between the transmitter and the receiver is interrupted, the photoelectric cell sends an immediate electrical signal to the operator's Electronic Control Board (BOARD070M) which stops and/or reverses the door.**



- MEMBER OF THE CANIMEX GROUP -

When you think  
Commercial Door OPERATORS,  
**just think OPERA.**

Manaras-Opera reserves the right to make specification or design changes without prior notice.

800-361-2260  
info@manaras.com  
www.manaras.com

# Product Specification Sheet

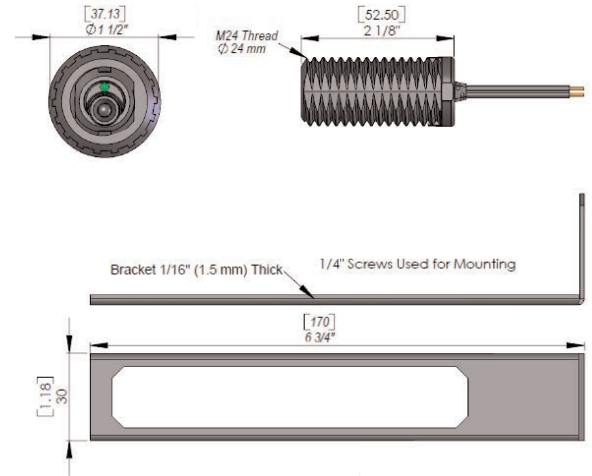
# PHOTO070

## MONITORED PHOTOELECTRIC CELLS

### TECHNICAL SPECIFICATIONS

Color:	Black
Protection Class:	NEMA 1 sensor enclosures
Electrical Diagram:	Monitored configuration
Temperature Range:	-10 °F to + 165 °F (-12 °C to +74 °C)
Housing Materials:	ABS-PC blend
Housing Diameter:	1" (25 mm)
Housing Length:	2" (50 mm)
Signalling Cable:	PVC Insulation, 2 x 22 AWG
Length of Signalling Cable:	Max. length from sensors to operator's ECB: ~650 Ft (~200 m)
Length of Cable:	3 Ft (0.91 m)
Power Supply:	Self-powered by ECB main controller
Output:	2-Wire modulated signal
Range:	1 Ft to 45 Ft (0.3 m to 13 m)

### DIMENSIONS



### OPTIONS



**INTERFACE003**  
Y-Connecting Signal-Merging  
N4 Module



**LIGHTCURTAIN001**  
Monitored Light Curtain  
3' (0.91 m) Protection Height



**SENSEGE044UM /  
INTERFACE002**  
Monitored Sensing Edge /  
Signature Interface Module  
(sold separately)



**INTERFACE001**  
Interface Module Enabling  
Connection of Monitored  
Photocells To An Operator  
Without Monitoring Function



- MEMBER OF THE CANIMEX GROUP -

Manaras-Opera reserves the right to make specification or design changes without prior notice.  
©2016 9141-0720 Québec Inc. All rights reserved. Reg. T.M. of 9141-0720 Québec Inc.

**800-361-2260**  
**info@manaras.com**  
**www.manaras.com**