

# Product Specification Sheet

## RADIOEM932

MULTI DOOR RADIO CONTROL TRANSMITTER  
FIXED CODE / DIP SWITCH

### STANDARD FEATURES

- 3-Button Transmitter.
- Operates up to 32 doors by using a combination of 2-rotary dials and dip switch keys.
- Open/Close/Stop function.
- Soft-touch push-buttons, including a bright red stop-button for easy identification.
- LED indicator.
- Nema 1 enclosure.
- Wall or post mount.
- Retrofits with older generation fixed code Manaras-Opera transmitters and receivers. No need to change other devices.
- Compatible with most commercial operator brands on the market (in conjunction with RADIORE900).
- FCC/Industry Canada RF Device Approval.

### OPTIONS (SEE REVERSE)

- The Series «900» line has been designed for new installations yet is also compatible and can retrofit with older generation Series «0» Manaras-Opera fixed code (dip switch) radio controls.



- **Featuring Innovative Fixed Code Technology**
- **Improved Product Quality, Reliability and Durability**
- **Superior Signal Range**
- **Simplified Pairing and Programming**

**With a complete re-design, the new RADIOEM932 features the latest fixed code technology, improved reliability and superior range.**

**Users have the versatility of controlling up to 32 doors with three-button open/close/stop functionality providing easy access to any commercial or industrial building.**

**RADIOEM932 conveniently retrofits and is compatible with any older generation Manaras-Opera fixed code (dip switch type - series «0») transmitter or receiver.**



- MEMBER OF THE CANIMEX GROUP -

When you think  
Commercial Door OPERATORS,  
**just think OPERA.**

Manaras-Opera reserves the right to make specification or design changes without prior notice.

800-361-2260  
info@manaras.com  
www.manaras.com

# Product Specification Sheet

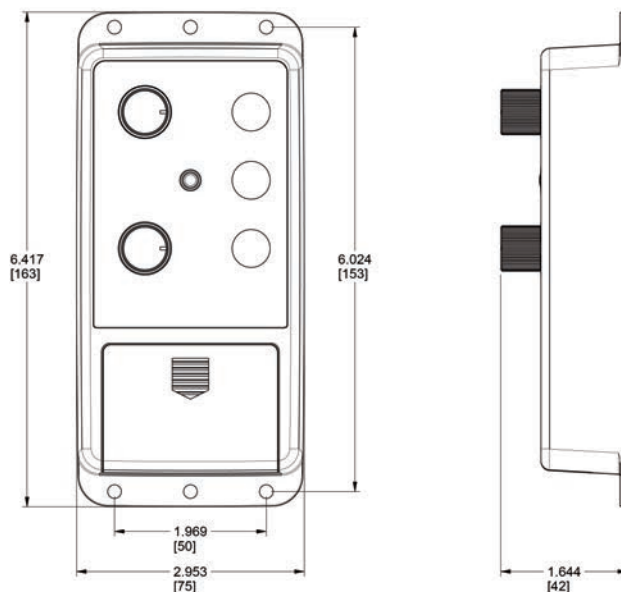
## RADIOEM932

RADIO CONTROL TRANSMITTER  
FIXED CODE / DIP SWITCH

### TECHNICAL SPECIFICATIONS

Installation:	Wall or post mount
Technology:	Fixed Code // Dip Switch (10)
No. of Buttons:	3-Buttons
Configuration when used with ECB Operators:	Open/Close/Stop Functionality
Configuration when used with HW Operators:	Open/Close/Stop Functionality
No. of Dip-Switch Keys:	8 Keys
Housing Materials:	ABS
Protection Class:	Nema 1
Range:	Approx. 100 Ft (30 m)
Power Supply:	2 x AA 1.5V Batteries
Frequency:	313 MHz
Color:	Grey
Retrofit For:	RADIO042, RADIO047, RADIO050
Compatible With:	RADIORE900, RADIORE900A, RADIORE900B, RADIO031, RADIO037

### DIMENSIONS



### OPTIONS



**RADIOEM903**  
Radio Control Transmitter  
1 to 3 Doors



**RADIORE900**  
Radio Control Receiver



**RADIORE900A**  
Radio Control Receiver with  
Commercial Antenna



**RADIORE900B**  
Radio Control Receiver with  
Nema 4/12-4X Enclosure and  
Commercial Antenna



- MEMBER OF THE CANIMEX GROUP -

Manaras-Opera reserves the right to make specification or design changes without prior notice.  
©2016 9141-0720 Québec Inc. All rights reserved. Reg. T.M. of 9141-0720 Québec Inc.

**800-361-2260**  
**info@manaras.com**  
**www.manaras.com**