


## SENSEGE044UM

MONITORED ELECTRIC SENSING EDGE  
(ME-123)

In partnership with



### STANDARD FEATURES

- Designed for sectional doors.
- Monitored primary external entrapment protection device.
- Compatible with the Electronic Control Board 070M.
- UL325 recognized component. 
- To be used with the Signature Interface Module (INTERFACE002 sold separately).
- Cut to the closest 1/4" (6.4 mm).
- Universal wire outlet locations.
- Vertical or horizontal mounting.

### OPTIONS (SEE REVERSE)

- Non-Monitored version.
- Mounting Channel.
- Coil Cord.
- Retracting Reel.



INTERFACE002  
(sold separately)

- **Touch-Sensitive Signalling**
- **Small Profile**
- **Easy to Install**
- **Mounts Vertically or Horizontally**
- **Cut to Specified Length**
- **ANSI/UL325 Recognized Component**

**SENSEGE044UM can be adapted to suit a variety of applications.**

**When touch activated, the electric sensing edge sends an immediate electrical signal to the operator's Electronic Control Board (BOARD070M) which stops and/or reverses the door.**

**SENSEGE044UM has been designed to fit most sectional doors and is custom cut to required length.**

When you think  
Commercial Door OPERATORS,  
**just think OPERA.**

800-361-2260  
info@manaras.com  
www.manaras.com



# Product Specification Sheet

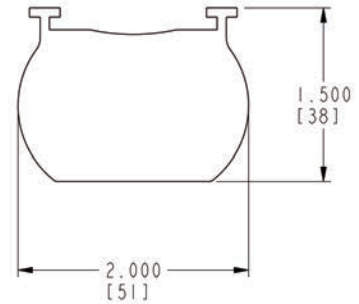
## SENSEGE044UM

MONITORED ELECTRIC SENSING EDGE  
(ME-123)

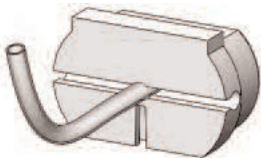
### TECHNICAL SPECIFICATIONS

Color:	Black
Length:	Cut per specification to nearest 1/4" (6.4 mm)
Lead Wire:	SJTO, 22 gauge, 2 ft (609.6 mm)
Sensitivity:	Nominal 6-11 lbf (27-49 N)
Electrical Diagram:	Monitored configuration
Contact Element:	Alumaglas®
Materials:	Extruded flexible PVC
Mounting Channel:	High-Density PVC (optional)
Temperature Range:	-30 °F to +155 °F (-34 °C to +68 °C)
Wire Outlet Location:	Universal

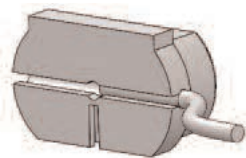
### DIMENSIONS



### WIRE OUTLET LOCATIONS

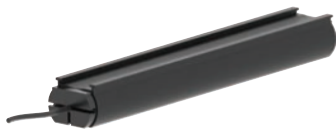


Universal End



Universal Side

### OPTIONS



SENSEGE044U  
Non-Monitored  
Sensing Edge



SENSEMOUNT001  
Mounting Channel  
(other shapes available)



REELITE005  
20' Take up Reel



COIL001  
20' Curly Coil



- MEMBER OF THE CANIMEX GROUP -

Manaras-Opera reserves the right to make specification or design changes without prior notice.  
©2016 9141-0720 Québec Inc. All rights reserved. Reg. T.M. of 9141-0720 Québec Inc.

800-361-2260  
info@manaras.com  
www.manaras.com