

# Product Specification Sheet


## SENSEEDGE044U

NON-MONITORED ELECTRIC SENSING EDGE  
(ME-123)

In partnership with



### STANDARD FEATURES

- Designed for sectional doors.
- 2-wire type, NO configuration.
- Non-Monitored.
- Ancillary external entrapment protection device.
- Compatible with the Electronic Control Board 070E and Electromechanical Control.
- UL325 recognized component. 
- Cut to the closest 1/4" (6.4 mm).
- Universal wire outlet locations.
- Vertical or horizontal mounting.



### OPTIONS (SEE REVERSE)

- Monitored version.
- Signature Interface Module (for use with Monitored version).
- Mounting Channel.
- Coil Cord.
- Retracting Reel.

- **Touch Sensitive Signalling**
- **Small Profile**
- **Easy to Install**
- **Mounts Vertically or Horizontally**
- **Cut to Specified Length**
- **ANSI/UL325 Recognized Component**

**SENSEEDGE044U can be adapted to suit a variety of applications.**

**When touch activated, the electric sensing edge sends an immediate electrical signal to the operator's Electronic Control Board (BOARD070E) or Hardwired Controls, which stops and/or reverses the door.**

**SENSEEDGE044U has been designed to fit most sectional doors and is custom cut to required length.**



- MEMBER OF THE CANIMEX GROUP -

When you think  
Commercial Door OPERATORS,  
**just think OPERA.**

Manaras-Opera reserves the right to make specification or design changes without prior notice.

800-361-2260  
info@manaras.com  
www.manaras.com

# Product Specification Sheet

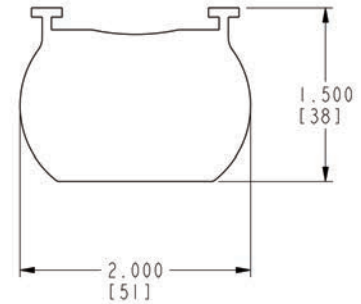
## SENSEGE044U

NON-MONITORED ELECTRIC SENSING EDGE  
(ME-123)

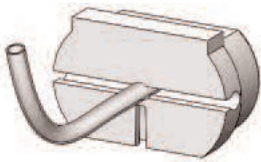
### TECHNICAL SPECIFICATIONS

Color:	Black
Length:	Cut per specification to nearest 1/4" (6.4 mm)
Lead Wire:	SJTO, 22 gauge, 2 ft (609.6 mm)
Sensitivity:	Nominal 6-11 lbf (27-49 N)
Electrical Diagram:	2-wire type, NO configuration, Non-Monitored
Electrical Maximum:	24 VAC or VDC, 1/2 amp
Contact Element:	Alumaglas®
Materials:	Extruded flexible PVC
Mounting Channel:	High-Density PVC (optional)
Temperature Range:	-30 °F to +155 °F (-34 °C to +68 °C)
Wire Outlet Location:	Universal

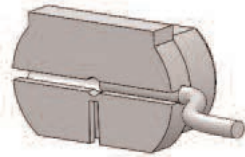
### DIMENSIONS



### WIRE OUTLET LOCATIONS



Universal End



Universal Side

### OPTIONS



SENSEGE044UM /  
INTERFACE002  
Monitored Sensing Edge /  
Signature Interface Module  
(sold separately)



SENSEMOUNT001  
Mounting Channel  
(other shapes available)



REELITE005  
20' Take up Reel



COIL001  
20' Curly Coil



- MEMBER OF THE CANIMEX GROUP -

Manaras-Opera reserves the right to make specification or design changes without prior notice.  
©2016 9141-0720 Québec Inc. All rights reserved. Reg. T.M. of 9141-0720 Québec Inc.

800-361-2260  
info@manaras.com  
www.manaras.com