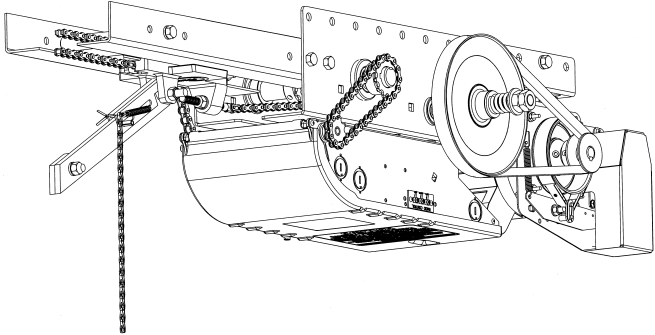


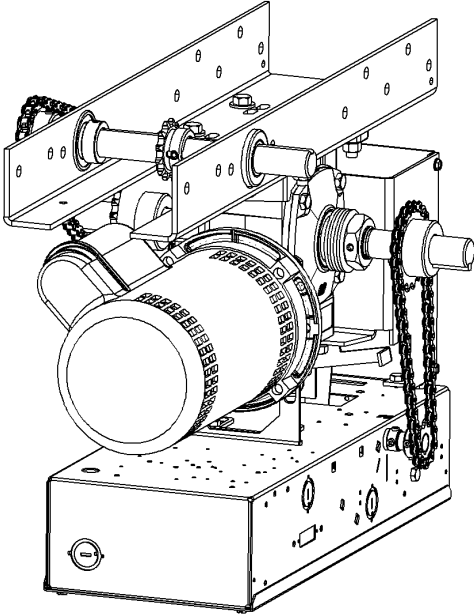
Addendum – Sliding Door Operators

This addendum is to be used in conjunction with the Installation & Instruction Manual.

Commercial & Industrial Heavy Duty Sliding Door Operator (For single and bi-parting sliding doors)



OSL



MGSL

**READ AND FOLLOW ALL INSTRUCTIONS.
SAVE THESE INSTRUCTIONS.
GIVE TO END-USER.**

Serial # _____
Model # _____
Wiring Diagram # _____
Project #/Name _____
Door #/Name _____



Installation Instructions

IMPORTANT INSTALLATION INSTRUCTIONS

WARNING

TO REDUCE THE RISK OF SEVERE INJURY OR DEATH TO PERSONS:

1. READ AND FOLLOW ALL INSTALLATION INSTRUCTIONS.
2. Have qualified service personnel make repairs and hardware adjustments before installing the operator.
3. Remove all pull ropes and remove, or make inoperative, all locks (unless mechanically and/or electrically interlocked to the power unit) that are connected to the door before installing the operator.
4. Installation of this door operator must be done by a qualified installer.
5. Verify that the operator is correct for type, size of door and frequency of use per the operator specifications.
6. Install the door operator at least 8 feet (2,44 m) or more above the floor if the operator has exposed moving parts. Covers or guarding, provided by the manufacturer, must be installed when the operator is mounted less than 8 feet (2,44 m) above the floor.
7. Do not connect the door operator to the source of power until instructed to do so.
8. Locate the control station: (a) within sight of the door, (b) at a minimum height of 5 feet (1,5 m) above floors, landings, steps or any other adjacent walking surface so small children cannot reach it, and (c) away from all moving parts of the door.
9. Install the Entrapment Warning Placard next to the control station in a prominent location.
10. For products having a manual release, instruct the end user on the operation of the manual release.
11. If you have any questions about the safety of the door operating system, do not install the operator, contact Manaras-Opera at 1-800-361-2260.

1 Operator Installation

1.1 Quick View - Sliding Door Operator Typical Installation

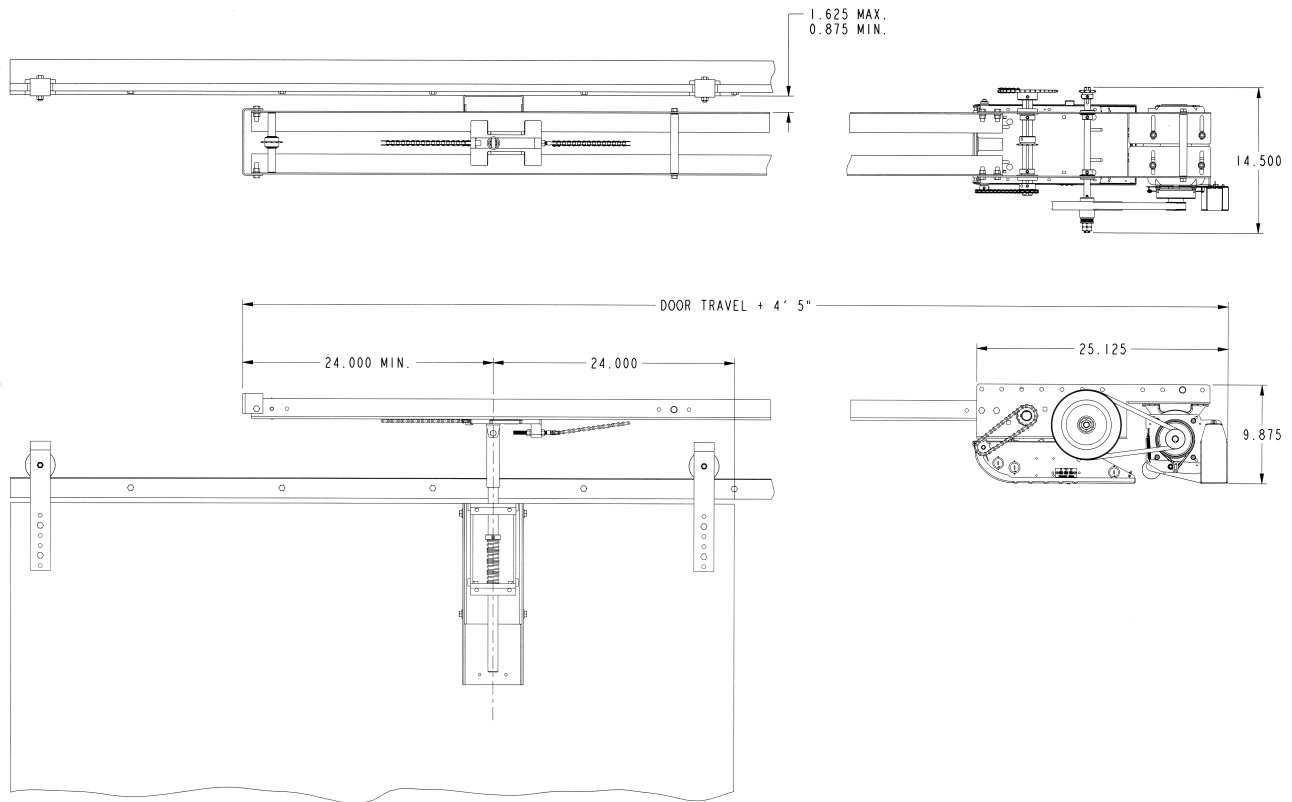


Figure 1 - Sliding Door Operator Typical Installation

1.2 Assembly Instructions

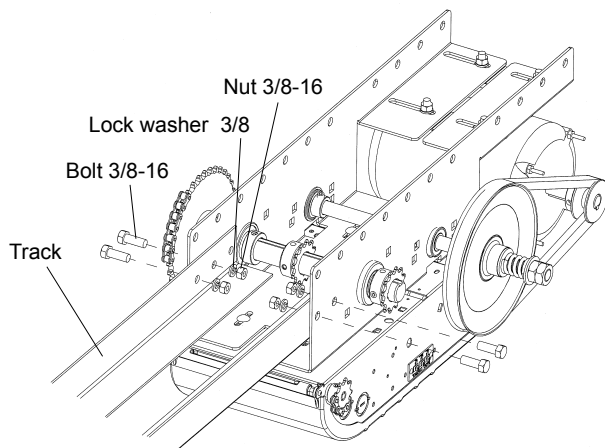
CAUTION

The operator has exposed moving parts and to prevent access to the pinch points, this operator must be installed at least 8 feet (2,44 m) or more above the floor. Alternatively, covers or guarding, provided by the manufacturer, must be installed when the operator is mounted less than 8 feet (2,44 m) above the floor.

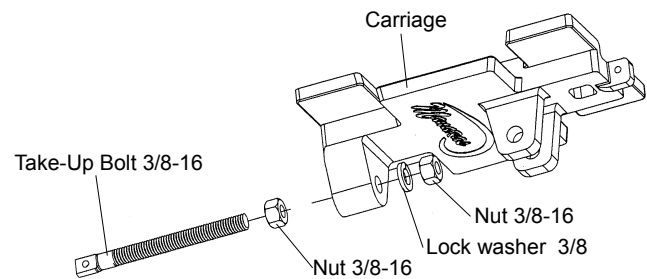
NOTICE

- Install the operator only when all openings of a horizontal slide door are guarded or screened from bottom of the door to a minimum of 4 ft (1,22 m) above the ground to prevent a 2-¼ in (57,2 mm) diameter sphere from passing through the openings anywhere in the door.

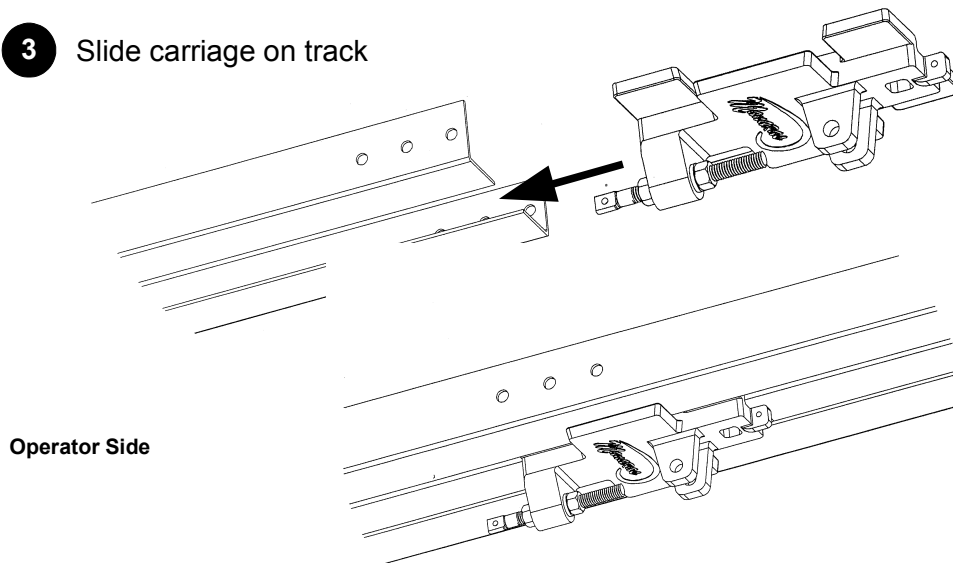
1 Attach tracks to operator



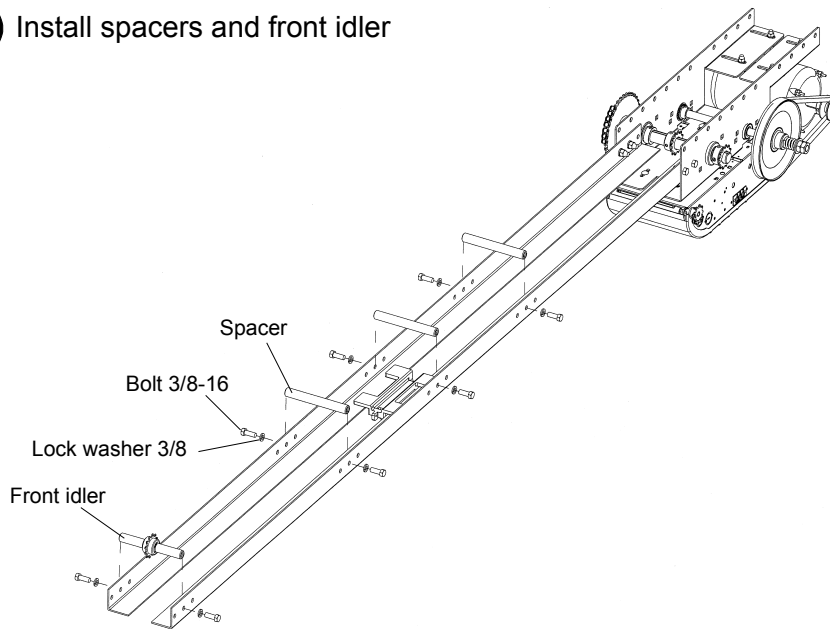
2 Assemble carriage



3 Slide carriage on track

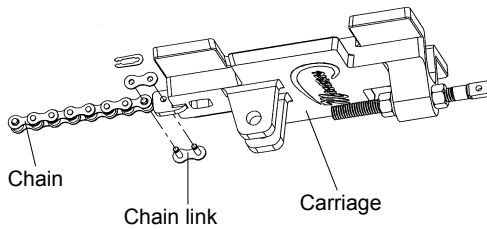


4 Install spacers and front idler

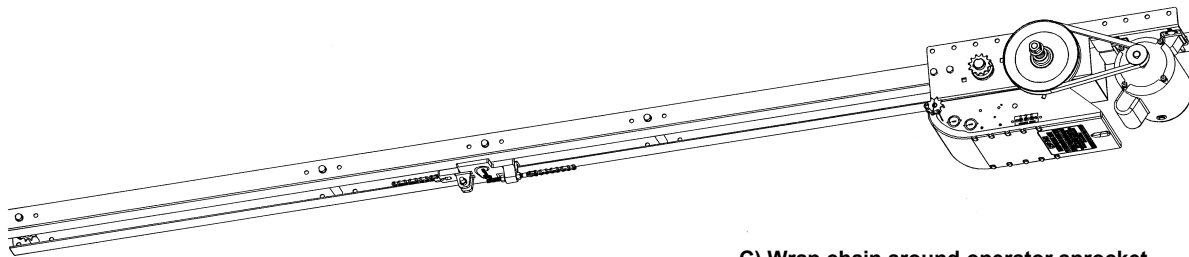
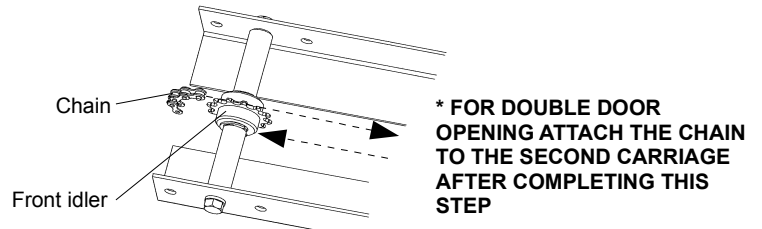


5 Install chain

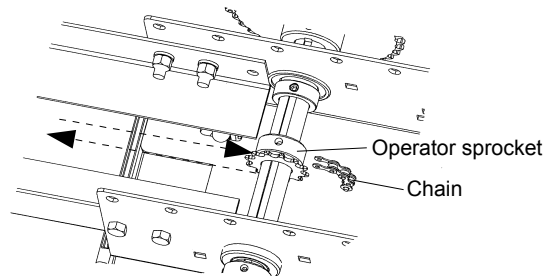
A) Attach chain to front of carriage.



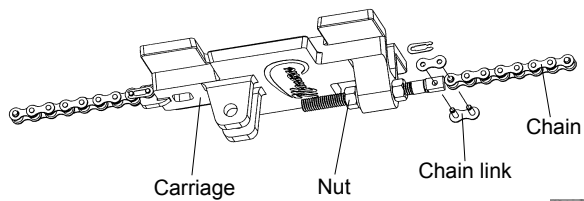
B) Wrap chain around front idler.



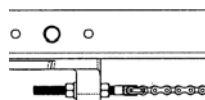
C) Wrap chain around operator sprocket.



D) Attach chain to back of carriage.

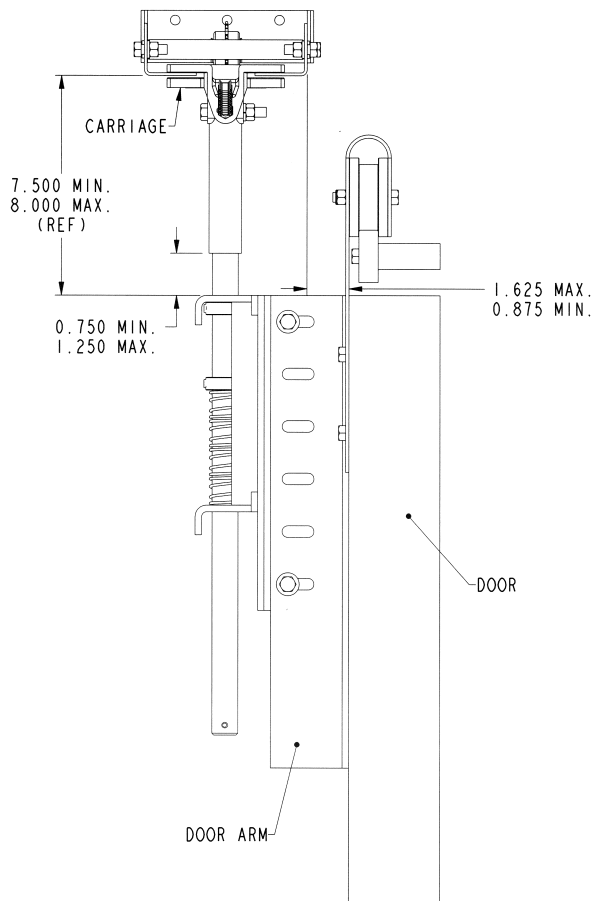


E) Adjust the tension on the chain.

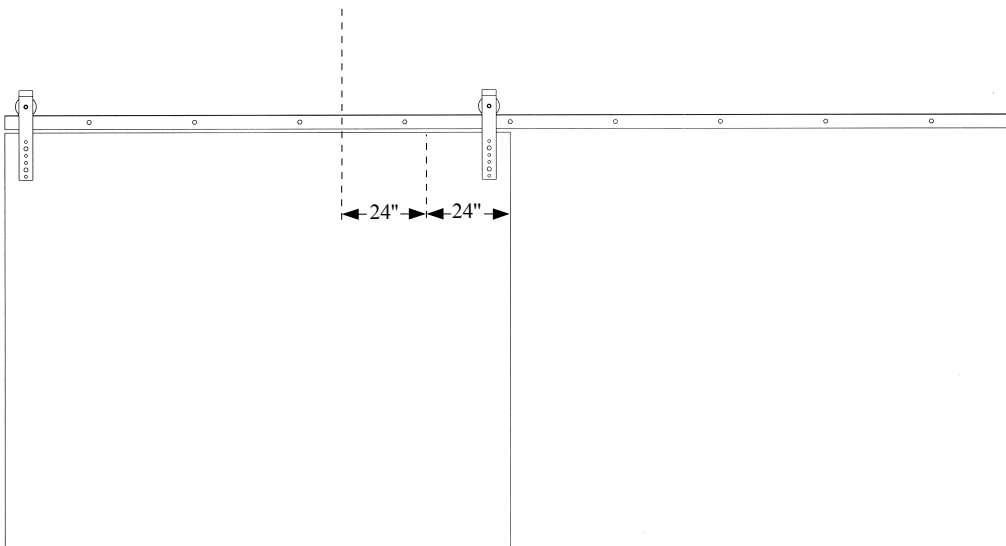


1.3 Installation

- 1 Determine the clearance required for the door to operate freely

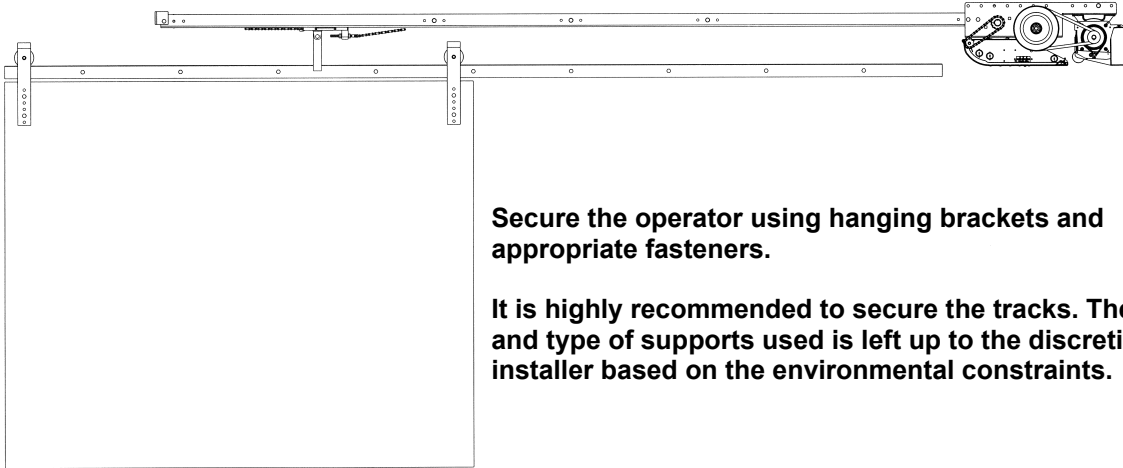


- 2 Draw a line 24" from the door edge (on the right if the operator is installed on the right side or on the left if the operator is installed on the left side) to centre the door arm. Draw a line 24" from the previous mark to establish the end of the track

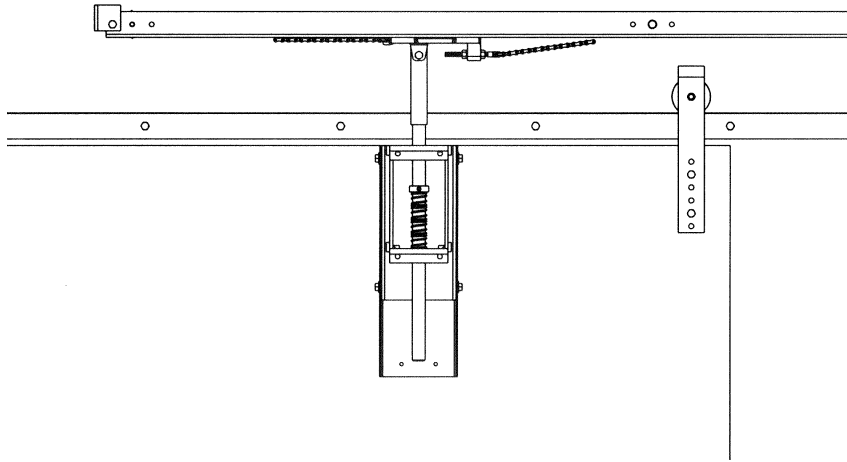


3 Position and hang the operator and track assembly

Be sure operator, tracks and door are parallel.



4 Mount the door arm to the door and to the carriage

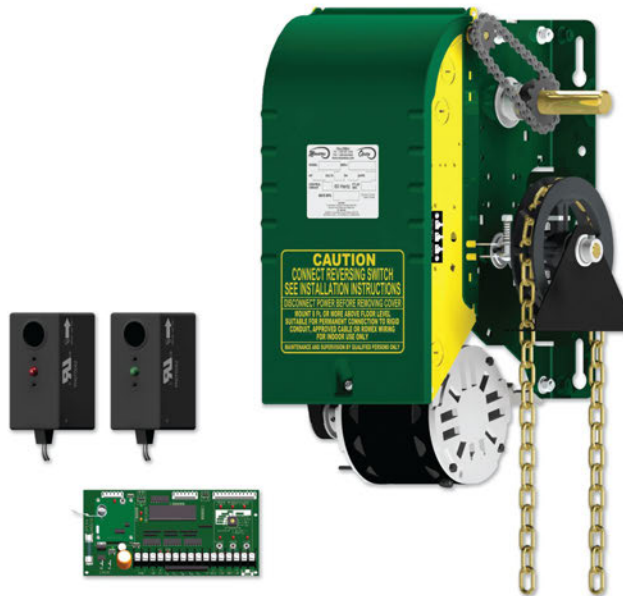


5 Disconnect (Optional)

Install disconnect lever on the door and pass cable from the door arm shaft to the disconnect lever.



When you think
Commercial Door OPERATORS,
just think OPERA.



Manaras-Opera is pleased to offer UL325-2010 compliant Commercial Door OPERATORS to the market. Over the years, the OPERA brand name has become synonymous with innovation and reliability and our products only continue to get better.

Call us for more information
1-800-361-2260

www.manaras.com