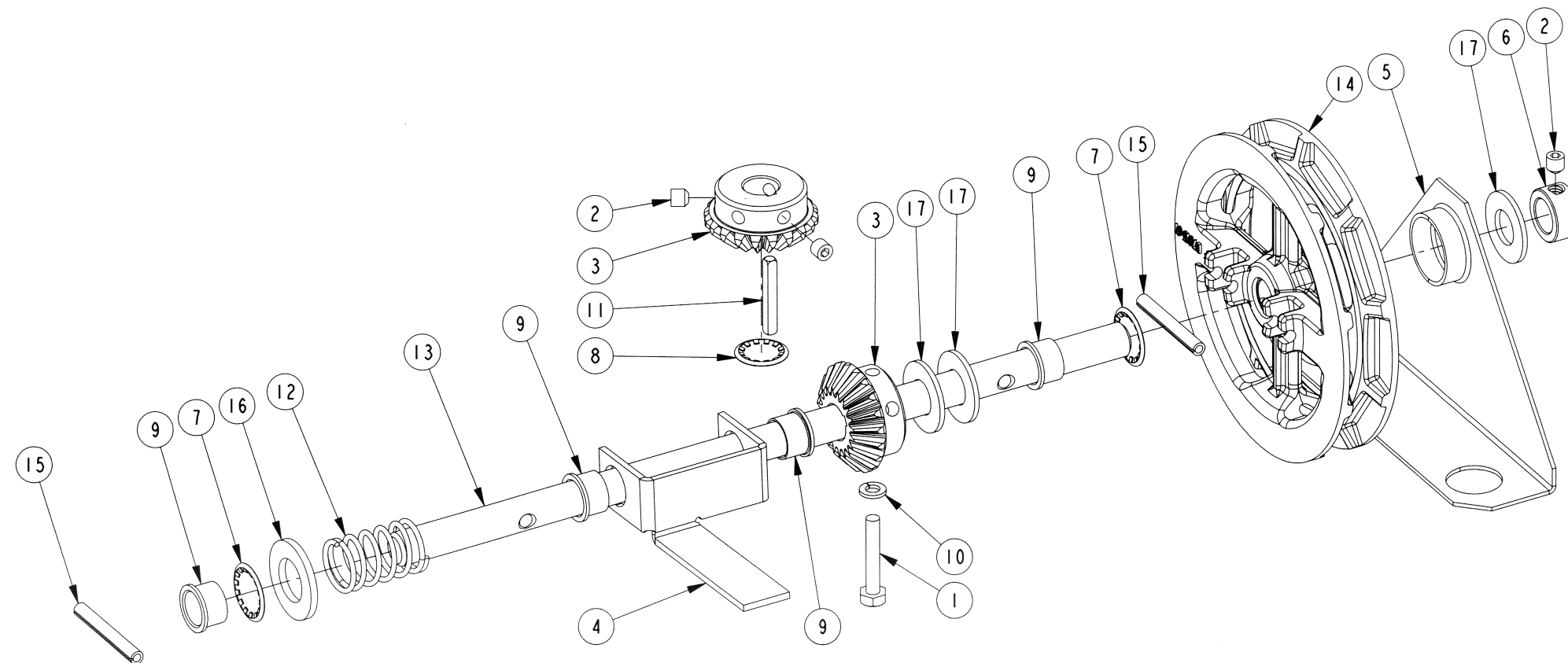


No	Qty	DESCRIPTION	# MANARAS	REV
1	1	1/4-20 X 1-1/2 HEX BOLT	BOLT010	
2	3	5/16-18 X 5/16 SET SCREW	SCREW003	
3	2	BEVEL GEAR GH MGH 5/8 20TH	GEAR001	2
4	1	CARRIER DISCONNECT BRACKET	LEVER063	4
5	1	CHAIN GUIDE OPERA	GUIDE014	2
6	1	COLLAR 5/8"	COLLAR004	
7	2	EXTERNAL 3/4 RETAINING RING	CLIP006	
8	1	EXTERNAL 5/8 RETAINING RING	CLIP024	
9	4	FLANGE BUSHING 5/8-3/4-1/2	BUSHING002	
10	1	HELICAL SPRING LOCK WASHER 1/4 ZP	WASHER026	
11	1	KEY 3/16 X 1-1/2 ROUNDED ENDS	KW013	5
12	1	MJ DISCONNECT HOIST SPRING	SPRING012	
13	1	OGH HOIST SHAFT	SHAFT115	2
14	1	OPERA POCKETWHEEL	POCKETWHEEL005	2
15	2	PIN SLOTTED SPRING 1/4 x 2	PIN011	
16	1	TYPE A PLAIN WASHER 3/4 N ZP	WASHER015	
17	3	TYPE A PLAIN WASHER 5/8 N ZP	WASHER014	



PART DESCRIPTION	
GH / MGH HOIST SHAFT KIT	
PART NUMBER	MANARAS-OPERA
MOUNTSHAFT013 (DRAWING008)	136 ONEIDA DRIVE
DRAWN BY: J. PROULX	POINTE-CLAIRE, QC, H9R 1A8
DATE: 2011-01-06	TEL: 1-800-361-2260
UPDATED BY: J. PROULX	FAX: 1-888-626-0606
DATE: 2013-01-21	



SHEET: 1 of 1

CONFIDENTIAL: THIS DRAWING AND/OR THE INFORMATION CONTAINED HEREIN IS AND REMAINS THE SOLE PROPERTY OF, AND IS PROPRIETARY TO, MANARAS-OPERA. THIS DRAWING AND/OR INFORMATION SHALL BE KEPT CONFIDENTIAL AND MAY NOT BE REPRODUCED, COPIED, MODIFIED, DISCLOSED, TRANSFERRED, OR MADE AVAILABLE TO OTHERS, EXCEPT WITH THE EXPRESS CONSENT OF MANARAS-OPERA. IT IS LOANED IN CONFIDENCE FOR MUTUAL ASSISTANCE PURPOSES ONLY. MANARAS-OPERA MAY AT ANY TIME, WRITTEN MODIFY THE DRAWING AND/OR INFORMATION CONTAINED HEREIN.