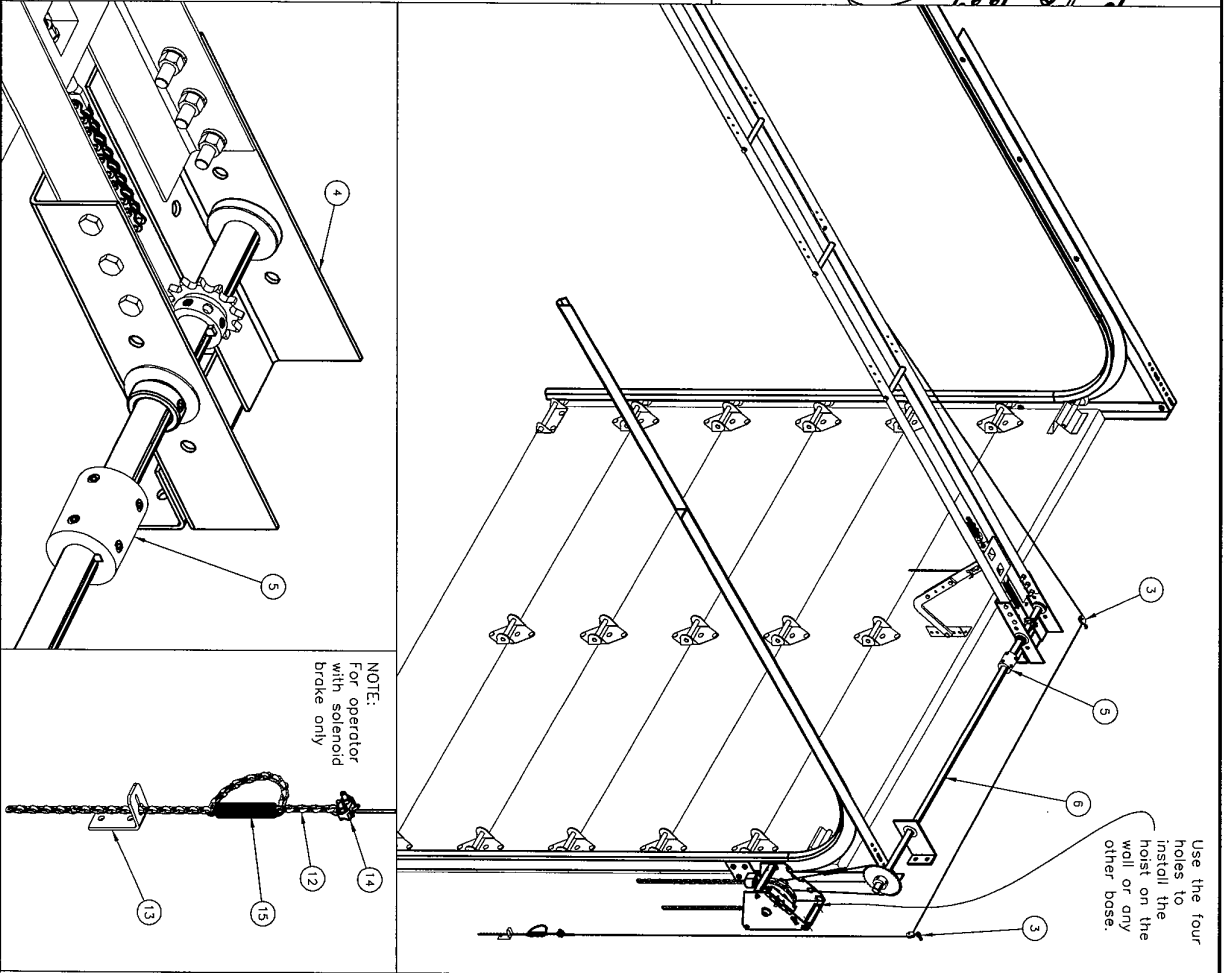
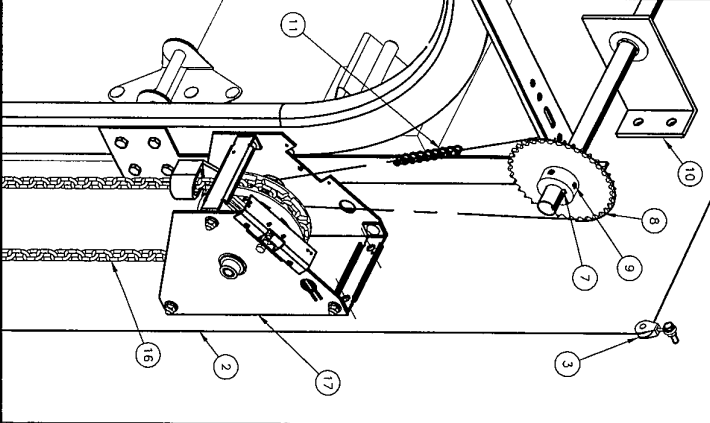
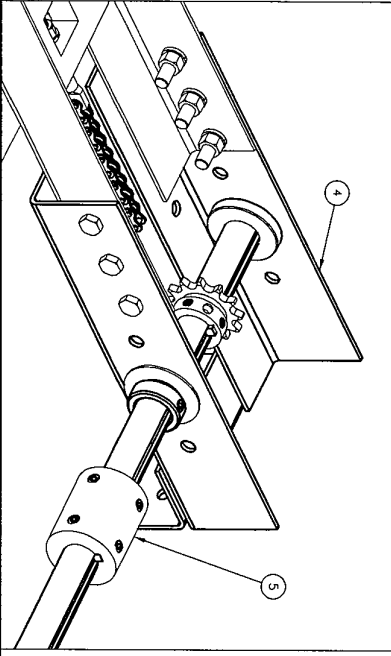


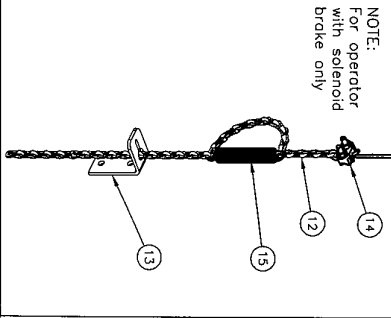
NOTE:
For operator
with solenoid
brake only



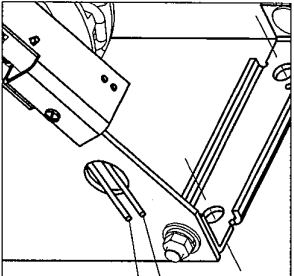
Use the four
holes to
install the
hoist on the
wall or any
other base.



NOTE:
For operator
with solenoid
brake only



PARTS IDENTIFICATION			
#	QTY	DESCRIPTION	# MANUFACTURER
1	1	HOOK	HOOK01
2	2	CABLE 3/32" 25' VERTICAL LIFT	CABLE02
3	6	SINGLE SWAYL PULLEY	PULLEY03
4	1	FRONTIER HEAVY DUTY FOR	FRONTIER006/009
5	1	SOLID COUPLING 4" X 2-3/8"	COUPLING015
6	1	SQUARE KEY 1/4 X 1-1/2	SHAFER012
7	1	SQUARE KEY 1/4 X 1-1/2	KEY019
8	2	SPROCKET 41B35X1	SPROCK003
9	2	SET SCREW 5/16-18 X 5/16	SPR0003
10	1	BEARING FLATE ID 1" OFF 5"	PLATE003
11	1	CHAIN #41 4 FT C/W LINK	CHAIN027
12	1	DISC. CHAINKEEPER	CHAIN024
13	1	DISC. CHAINKEEPER	CHAIN022
14	2	DRUM BEEL GEAR CLAMP 10-24 X 1/4	BDU100
15	1	HAND CHAIN	SPRING022
16	1	AUX. CHAIN HOIST ASSY	HOIST002
17	1		



CONNECT THE
HOIST SWITCH
INSIDE THE
OPERATOR ON
T-STRIP TERMINALS
#1 AND #2 OR
USE TERMINALS
#10 AND #11
WHEN OPERATOR IS
EQUIPPED WITH AN
ELECTRONIC BOARD.

THE INFORMATION CONTAINED HEREIN IS PROPRIETARY TO MANAVAS AUTO DOORS, INC. AND SHALL NOT BE
REPRODUCED OR TRANSMITTED IN ANY FORM OR BY ANY MEANS, ELECTRONIC OR MECHANICAL, INCLUDING
PHOTOCOPYING, RECORDING, OR BY ANY INFORMATION STORAGE AND RETRIEVAL SYSTEM, WITHOUT THE
WRITTEN PERMISSION OF MANAVAS AUTO DOORS, INC.

TROLLEY HOIST INSTALL (DRAWING 010)

DATE: 02/08/07
C:\MANAVAS\2008\03\12

MANAVAS AUTO DOORS, INC.
138 QUENEA DRIVE
MILWAUKEE, WI 53219
TEL: 514-426-1332
FAX: 514-426-1171

2008.03.12

