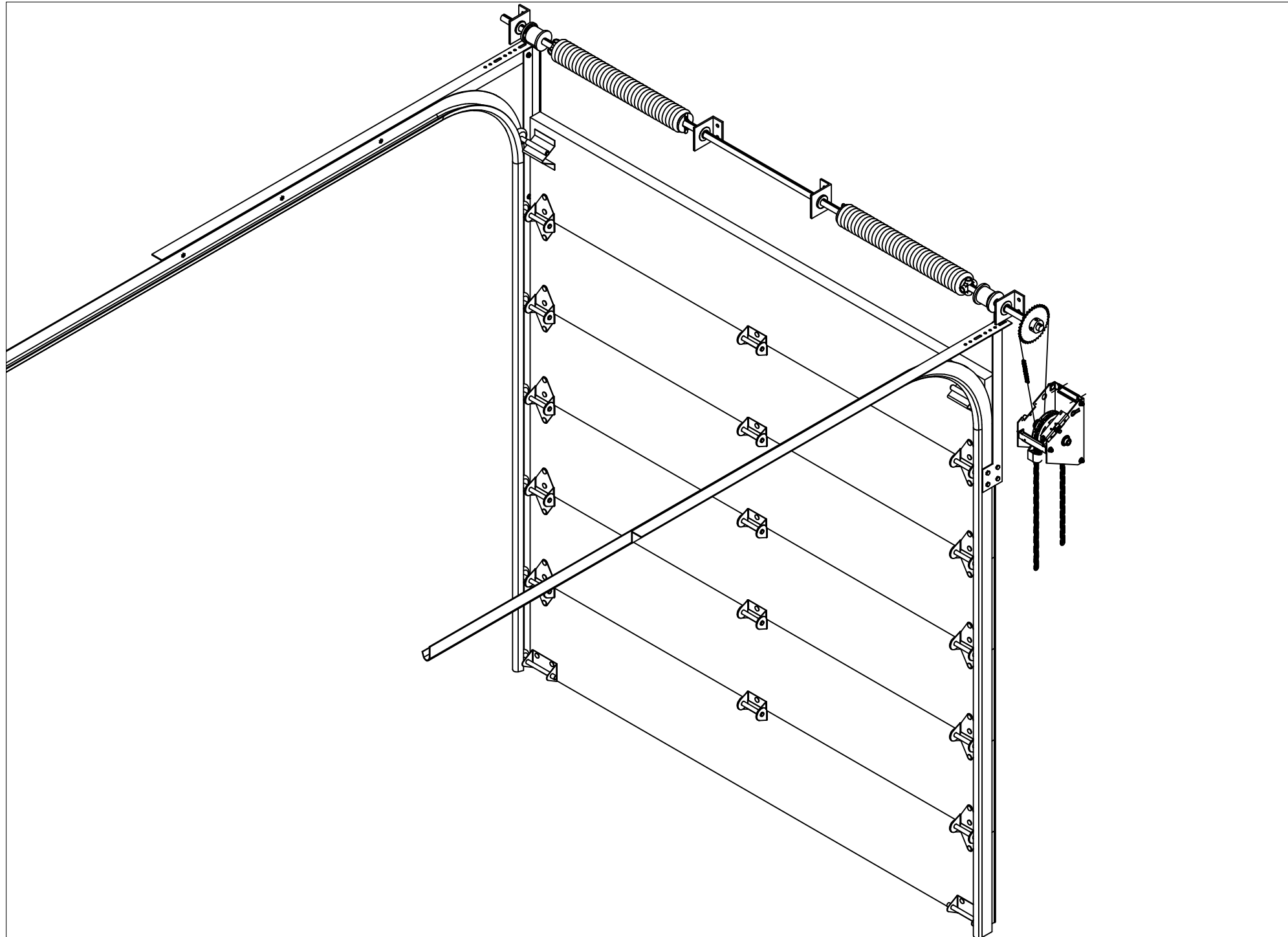
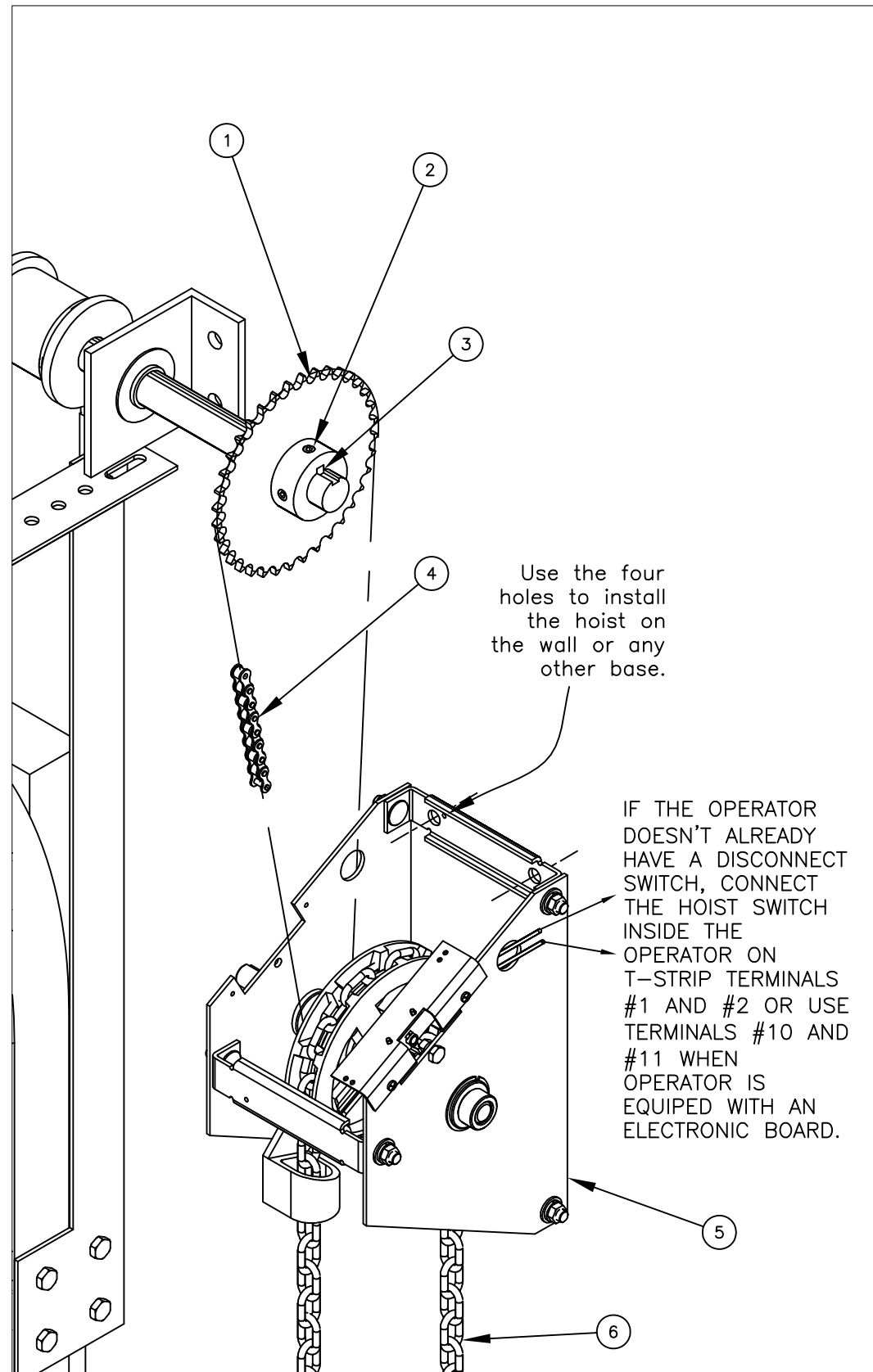


PARTS IDENTIFICATION				
#	QTY	DESCRIPTION	# MANARAS	REV
1	1	SPROCKET 41B36X1	SPR41B36X1	.
2	2	SET SCREW 5/16-18 X 5/16	SCREW003	.
3	1	SQUARE KEY 1/4 X 1-1/2	KW019	.
4	1	CHAIN #41, 4 FT C/W LINK	CHAIN027	.
5	1	AUX. CHAIN HOIST ASS'Y	HOIST002	.
6	1	HAND CHAIN	.	.



THE INFORMATION CONTAINED HEREIN IS PROPRIETARY TO MANARAS AUTO DOORS INC. AND SHALL NOT BE REPRODUCED OR DISCLOSED OR USED FOR ANY DESIGN OR MANUFACTURE EXCEPT WHEN USER POSSESSES DIRECT WRITTEN AUTHORIZATION FROM MANARAS AUTO DOORS INC.

TITLE: **HOIST INSTALLATION (DRAWING011)**

DRAWN BY:	DATE:	CAD FILE:	REV:	DATE:
C.WALRAVENS	02.08.08	HOIST INSTALLATION	.	2008.03.12

MANARAS AUTO DOORS INC.
 136 ONEIDA DRIVE
 POINTE-CLAIRE, QC H9R 1A8
 TEL.: 514.426.1332
 FAX: 514.426.1171