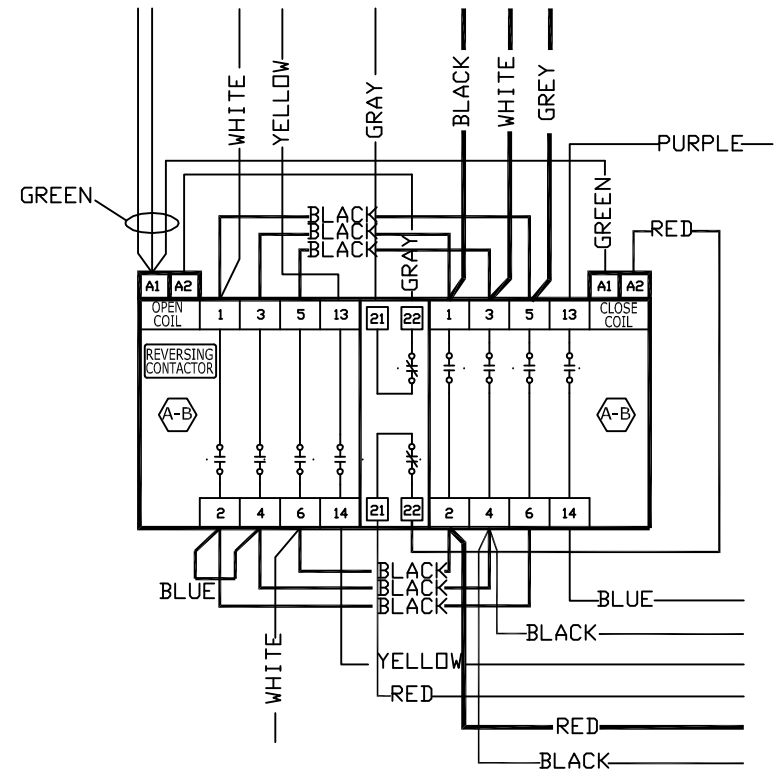
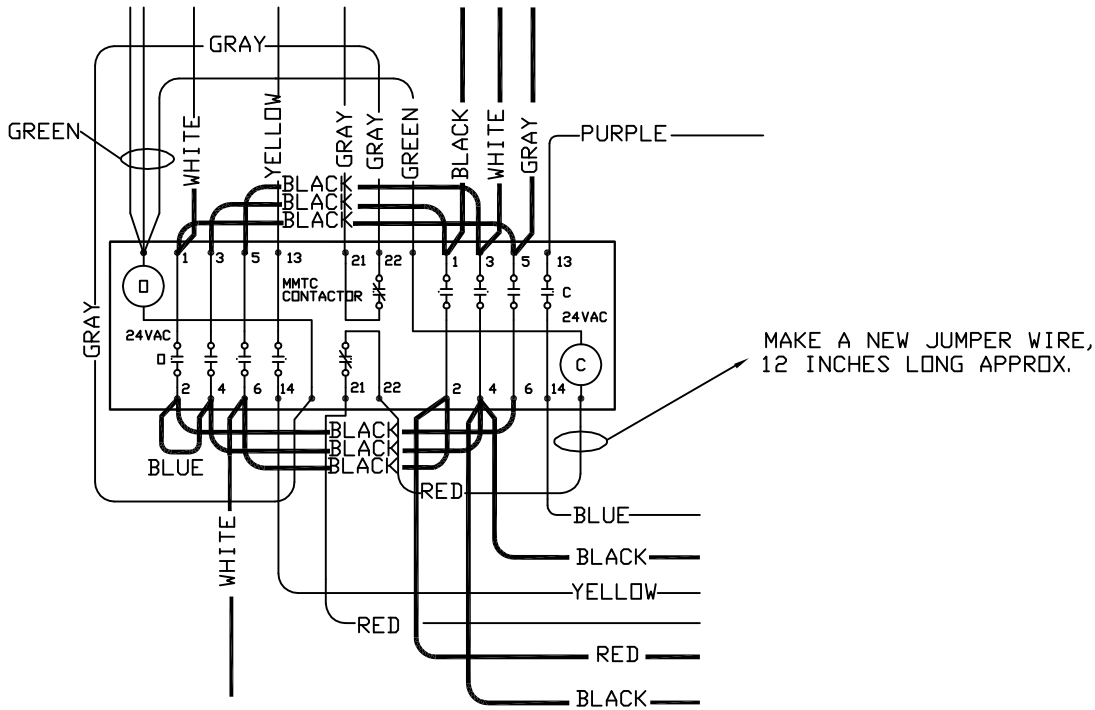


REPLACING MMTC REVERSING CONTACTOR WITH AN ALLEN-BRADLEY CONTACTOR(1- PHASE)

MMTC REVERSING CONTACTOR MODEL- MMT104NX21-D

ALLEN-BRADLEY REVERSING CONTACTOR. MODEL- 100- C16*10 -B



NOTE- FOR ADDITIONAL INFORMATION REFER TO ELECTRICAL DRAWING M11-S AND M11-W, (1-PHASE) ,OR CONTACT MANARAS AT 1-800-361-2260

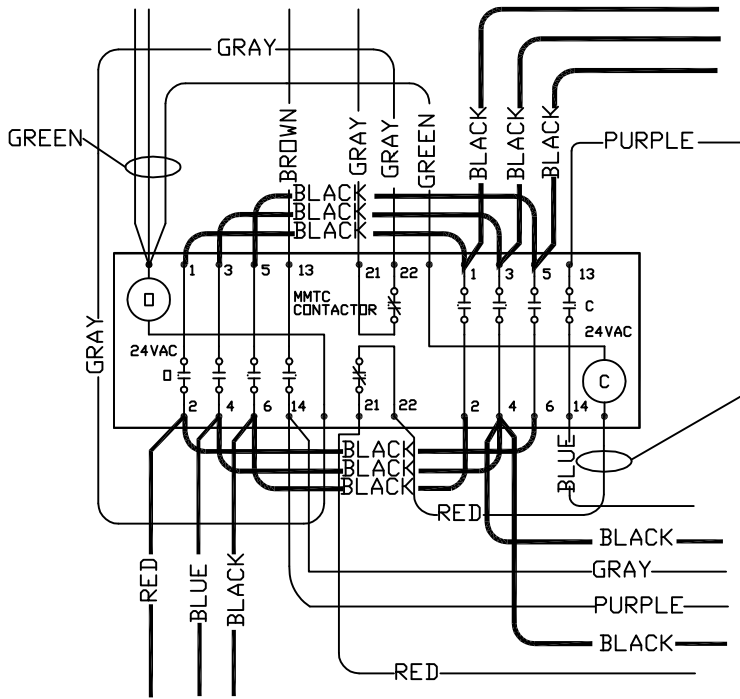
MAB-082000A1

				TITLE CONTACTOR003 (1 PHASE)		(DRAWING013)		MATERIAL	
GENERAL TOLERANCES IF NOT INDICATED				CAD FILE CONTACTOR003 (1 PH)		PART NUMBER CONTACTOR003			
HOLES ϕ ± 0.002				SCALE N.T.S		DRAWN BY: NICOLAS VIAU		DATE 2003.11.04	
0" - 6" ± 0.003 6" - 12" ± 0.010 >12" ± 0.030				FORMAT A		APPROVED BY: BHARAT PATEL		DATE 2003.11.05	
REV DATE BY APP DESCRIPTION				MANARAS AUTO DOORS INC. 136 ONEIDA DRIVE POINTE-CLAIRE QC H9R 1A8 TEL. : 514.426.1332 FAX : 514.426.1171					
THE INFORMATION CONTAINED HEREIN IS PROPRIETARY TO MANARAS AUTO DOORS INC. AND SHALL NOT BE REPRODUCED OR DISCLOSED OR USED FOR ANY DESIGN OR MANUFACTURE EXCEPT WHEN USER POSSESSES DIRECT WRITTEN AUTHORIZATION FROM MANARAS AUTO DOORS INC.									

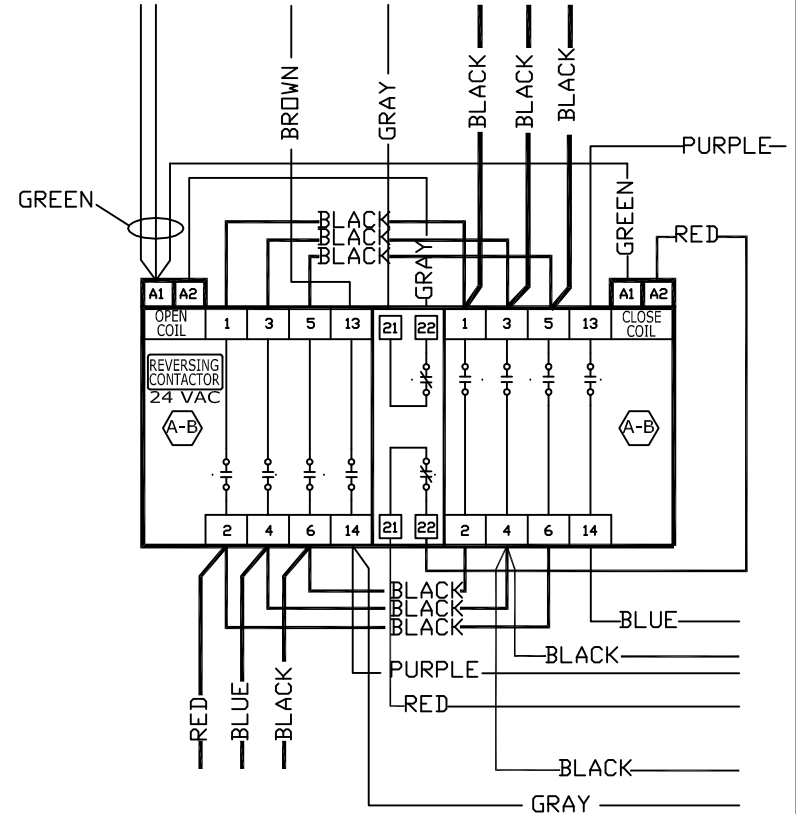
REPLACING MMTC REVERSING CONTACTOR WITH AN ALLEN-BRADLEY CONTACTOR(3- PHASE)

**MMTC REVERSING CONTACTOR
MODEL- MMT104NX21-D**

**ALLEN-BRADLEY REVERSING CONTACTOR.
MODEL- 100- C16*10 -B**



MAKE A NEW JUMPER WIRE,
12 INCHES LONG APPROX.



**NOTE- FOR ADDITIONAL INFORMATION REFER TO ELECTRICAL DRAWING
M31-S AND M31-W, (3-PHASE) ,OR CONTACT MANARAS AT 1-800-361-2260**

MAB-082000A3

		TITLE		(DRAWING013)		MATERIAL	
GENERAL TOLERANCES IF NOT INDICATED		CONTACTOR003 (3 PHASE)		PART NUMBER		CONTACTOR003	
HOLES ϕ ± 0.002		CONTACTOR003 (3 PH)		DATE		MANARAS AUTO DOORS INC. 136 ONEIDA DRIVE POINTE-CLAIRE QC H9R 1A8 TEL. : 514.426.1332 FAX : 514.426.1171	
SCALE		DRAWN BY:		DATE			
0" - 6" ± 0.003 6" - 12" ± 0.010 >12" ± 0.030		N.T.S NICOLAS VIAU		200311.04			
FORMAT		APPROVED BY:		DATE			
A		BHARAT PATEL		2003.11.05			

REV	DATE	BY	APP	DESCRIPTION
THE INFORMATION CONTAINED HEREIN IS PROPRIETARY TO MANARAS AUTO DOORS INC. AND SHALL NOT BE REPRODUCED OR DISCLOSED OR USED FOR ANY DESIGN OR MANUFACTURE EXCEPT WHEN USER POSSESSES DIRECT WRITTEN AUTHORIZATION FROM MANARAS AUTO DOORS INC.				