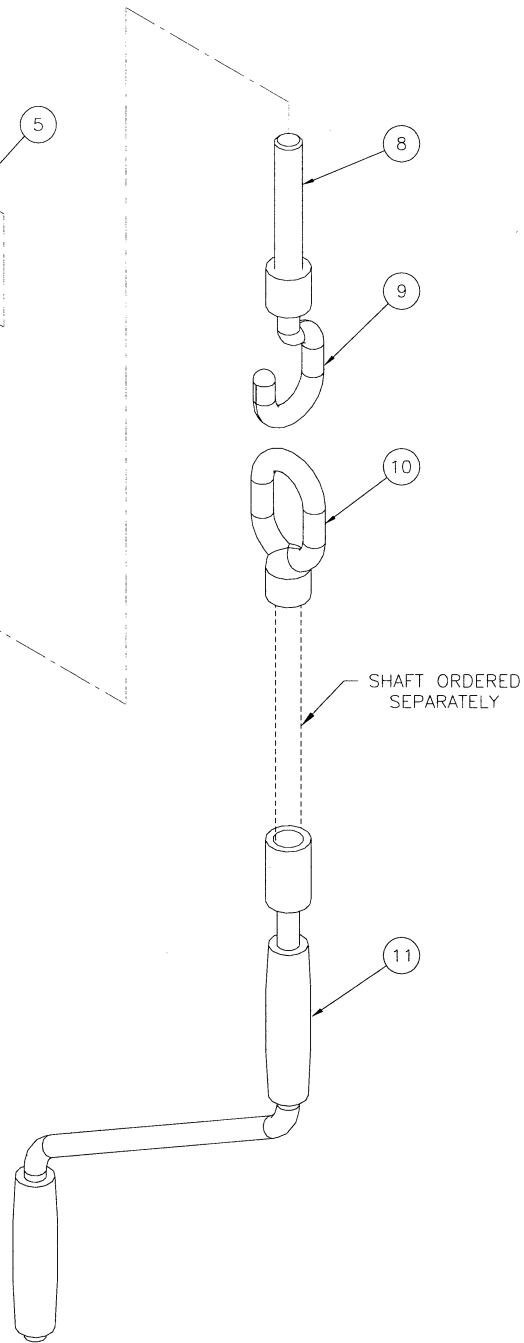
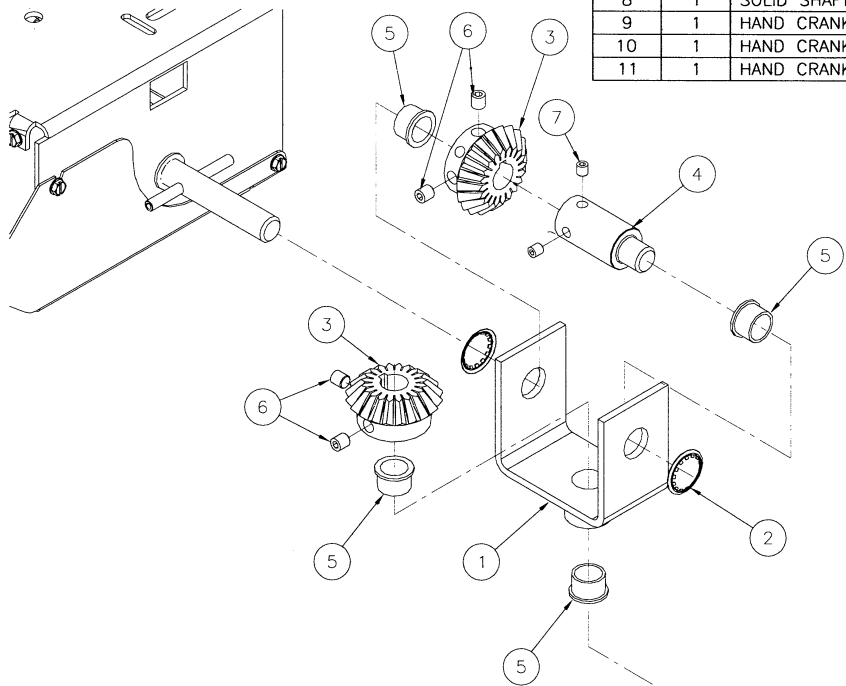
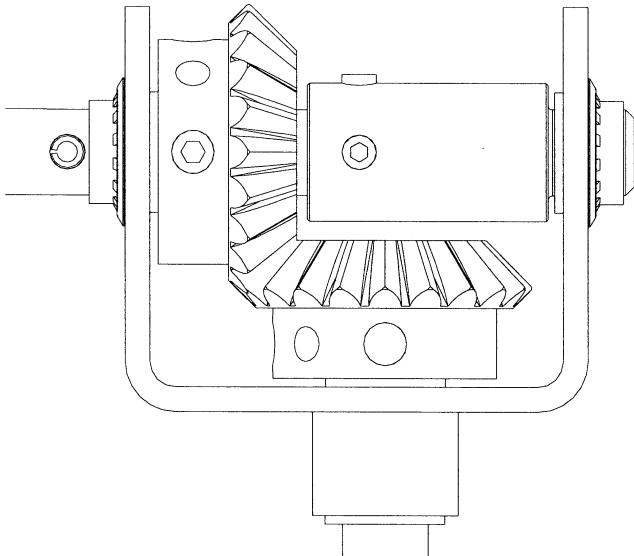


PARTS IDENTIFICATION

#	QTY	DESCRIPTION	# MANARAS	REV
1	1	HAND CRANK BRACKET	BRACKET191	A
2	2	EXTERNAL 3/4 RETAINING RING	CLIP006	.
3	2	BEVEL GEAR GH.MGH 5/8 20TH	GEAR001	A
4	1	COUPLING HAND CRANK	COUPLING018	.
5	4	OILITE BUSHING FF718-1 MGH	BUSHING002	.
6	4	SET S KNURLED CUP5/16-18X5/16	SCREW003	.
7	2	SET SCREW 1/4-20-5/16 KNURLED	SCREW001	.
8	1	SOLID SHAFT 5/8 X 3.5"	SHAFT109	.
9	1	HAND CRANK HOOK	CRANK004	.
10	1	HAND CRANK EYE PIECE	CRANK003	.
11	1	HAND CRANK Z TYPE HANDLE	CRANK002	.



INSTALLED ON HOIST SHAFT ON RIGHT OR LEFT SIDE OF OPERATOR



THE INFORMATION CONTAINED HEREIN IS PROPRIETARY TO MANARAS AUTO DOORS INC. AND SHALL NOT BE REPRODUCED OR DISCLOSED OR USED FOR ANY DESIGN OR MANUFACTURE EXCEPT WHEN USER POSSESSES DIRECT WRITTEN AUTHORIZATION FROM MANARAS AUTO DOORS INC.

TITLE: DRAWING014				
DRAWN BY:	DATE:	CAD FILE:	REV:	DATE:
NICOLAS VIAU	04.10.28	MODKIT074	.	.

MANARAS AUTO DOORS INC.
 136 ONEIDA DRIVE
 POINTE-CLAIRE, QC H9R 1A8
 TEL.: 514.426.1332
 FAX: 514.426.4330

