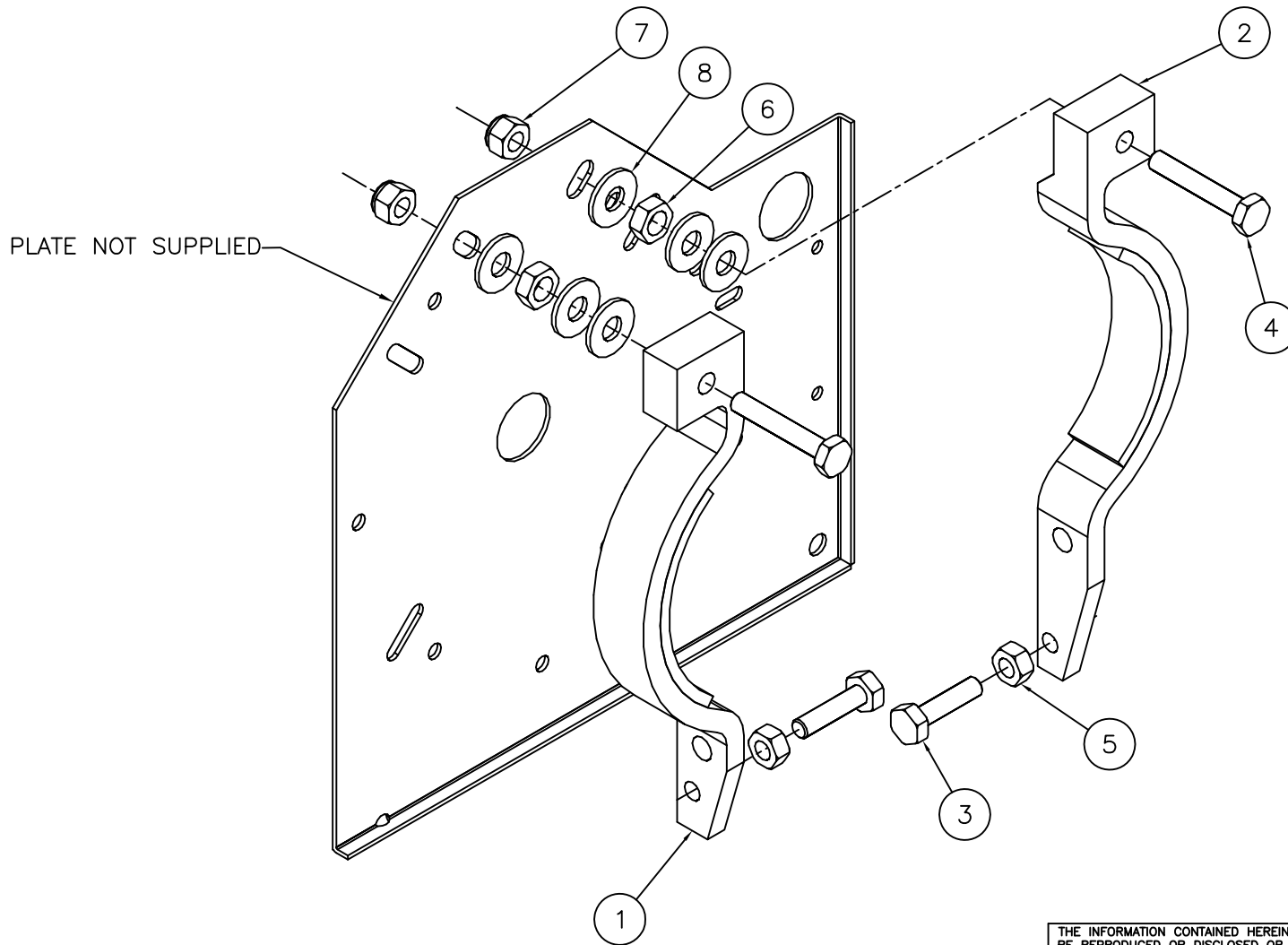


PARTS IDENTIFICATION

#	QTY	DESCRIPTION	# MANARAS	REV
1	1	BRAKE SHOE RIGHT STANDARD	SHOE001	A
2	1	BRAKE SHOE LEFT STANDARD	SHOE002	A
3	2	HEX HD BOLT 250-20 UNC X 1.0	BOLT004	.
4	2	HEX HEAD BOLT 1/4 X 1-1/2	BOLT008	.
5	2	NUT .250-20 UNC	NUT006	.
6	2	HEX NUT 5/16 ZC	NUT007	.
7	2	INSERT NYLON NUT .250-20 UNC	NUT020	.
8	6	FW 5/16BS1/499(.312X.734X.065)	WASHER007	.



THE INFORMATION CONTAINED HEREIN IS PROPRIETARY TO MANARAS SOMFY INTERNATIONAL AND SHALL NOT BE REPRODUCED OR DISCLOSED OR USED FOR ANY DESIGN OR MANUFACTURE EXCEPT WHEN USER POSSESSES DIRECT WRITTEN AUTHORIZATION FROM MANARAS AUTO DOORS INC.

TITLE: BRAKEPART018 (DRAWING019)

DRAWN BY:	DATE:	CAD FILE:	REV:	DATE:
NICOLAS VIAU	2005.04.12	BRAKEPART018-X	.	2008.03.11

MANARAS SOMFY INTERNATIONAL
 136 ONEIDA DRIVE
 POINTE-CLAIRE, QC H9R 1A8
 TEL.: 514.426.1332
 FAX: 514.426.4330

