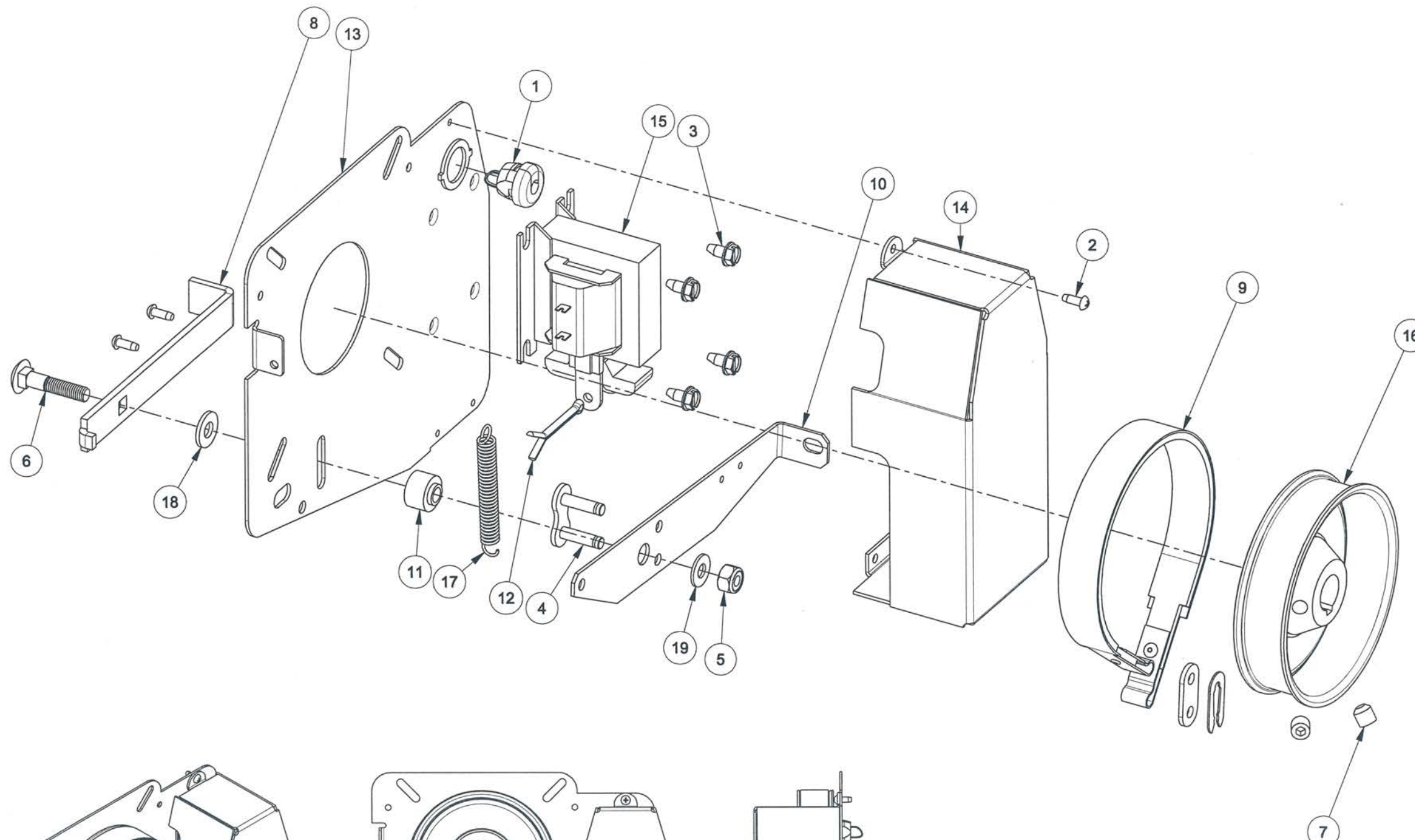
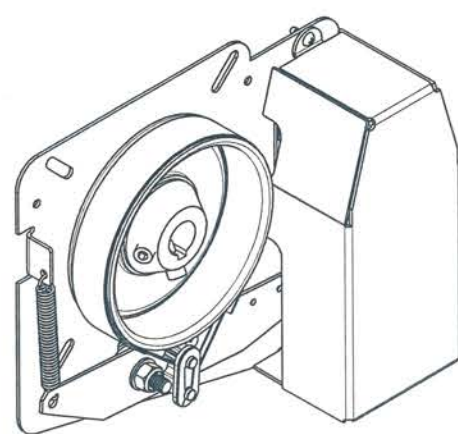


	Qty	DESCRIPTION	# MANARAS
120V - 1PH	1	SOLENOID SWITCH 120V	SOLENOID001
230V - 1PH	1	SOLENOID SWITCH 240V	SOLENOID002
208V - 3PH	1	SOLENOID SWITCH 240V	SOLENOID002
460V - 3PH	1	SOLENOID SWITCH 440V	SOLENOID003
575V - 3PH	1	SOLENOID SWITCH 575V	SOLENOID004

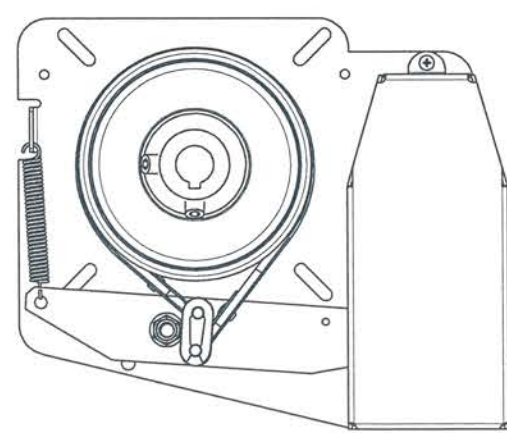


No	Qty	DESCRIPTION	# MANARAS	REV
1	1	0.300 CABLESTRAIN RELIEF 5/8" OD	BUSHING067	
2	3	6-32 X 3/8 TYPE T S-TAP. SCREW	SCREW094	
3	4	10-24 X 3/8 TYPE T S-TAP. SCREW	SCREW022	
4	1	#50 CONNECTING LINK 50-1	LINK011	
5	1	1/4-20 HEX NYLON LOCK NUT ZP	NUT020	
6	1	1/4-20 X 1-1/4 RND HD SQ NECK BOLT	BOLT083	
7	2	5/16-18 X 5/16 SET SCREW	SCREW003	
8	1	ADJUSTMENT BRAKE LEVER	LEVER064	3
9	1	BRAKE BAND ASSEMBLY HEAVY DUTY	BRAKEPART019	
10	1	BRAKE LEVER	LEVER065	8
11	1	BRAKE LEVER PIVOT	BUSHING053	3
12	1	PIN COTTER 1/8 X 1-1/2	PIN001	
13	1	PLATED BRAKE PLATE	PLATE084	10
14	1	PLATED SOLENOID COVER	COVER048	5
15	1	SOLENOID	SEE TABLE	
16	1	STEEL BRAKE DRUM ID 0.626	DRUM005	2
17	1	TROLLEY ARM DISCONNECT SPRING	SPRING026	
18	1	TYPE A PLAIN WASHER 1/4 N ZP	WASHER004	0
19	1	TYPE A PLAIN WASHER 3/16 ZP	WASHER003	0

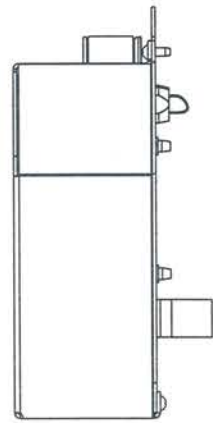
NOT SHOWN IN DRAWING		
Qty	DESCRIPTION	# MANARAS
1	7X7 1/16"X33"CW STOP	CABLE026
1	DISCONNECT CHAIN 5" LONG	CHAIN082
2	S HOOK	HOOK001
1	CABLE SLEEVE 1/16	SLEEVE001
1	EXTENSION SPRING E480-063-3275	SPRING027



ASSEMBLED ISO VIEW



ASSEMBLED FRONT VIEW
WITHOUT SOLENOID COVER



ASSEMBLED SIDE VIEW

APPROUVÉ
Zanashan
2016-12-08

PART DESCRIPTION	
OSH BAND BRAKE ASSEMBLY KIT	
PART NUMBER	MANARAS-OPERA
BRAKE013 (DRAWING021)	136 ONEIDA DRIVE
DRAWN BY: J. PROULX	POINTE-CLAIRE, QC, H9R 1A8
DATE: 2010-08-05	TEL: 1-800-381-2280
UPDATED BY: J. PROULX	FAX: 1-888-626-0606
DATE: 2013-03-12	



SHEET: 1 of 1

CONFIDENTIAL: THIS DRAWING AND/OR THE INFORMATION CONTAINED HEREIN IS AND REMAINS THE SOLE PROPERTY OF, AND IS PROPRIETARY TO, MANARAS-OPERA. THIS DRAWING AND/OR INFORMATION SHALL BE KEPT CONFIDENTIAL AND MAY NOT BE REPRODUCED, COPIED, MODIFIED, DISCLOSED, TRANSFERRED, OR MADE AVAILABLE TO OTHERS, EXCEPT WITH THE EXPRESS CONSENT OF MANARAS-OPERA. IT IS LOANED IN CONFIDENCE FOR MUTUAL ASSISTANCE PURPOSES ONLY. MANARAS-OPERA MAY AT ANY TIME, WRITTEN MODIFY THE DRAWING AND/OR INFORMATION CONTAINED HEREIN.