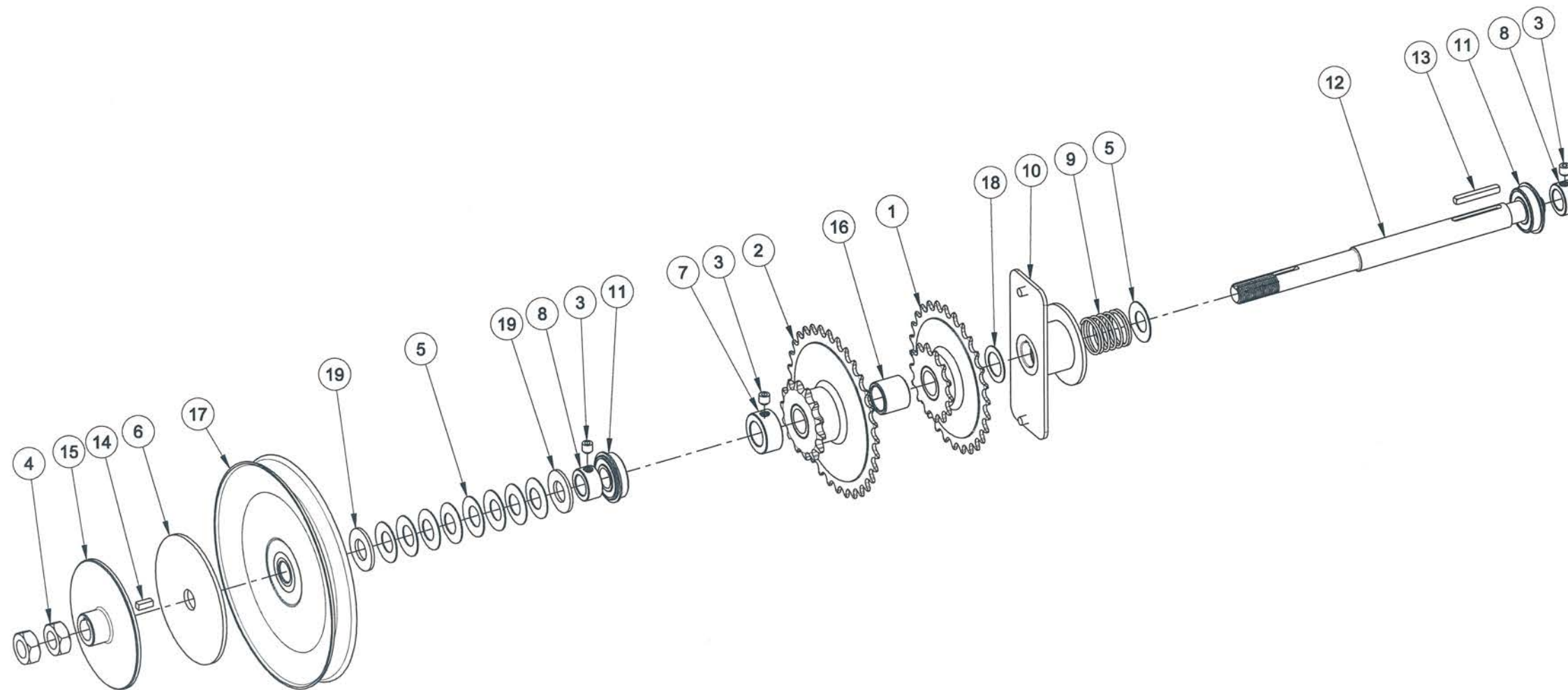


No	Qty	DESCRIPTION	# MANARAS	REV
1	1	410B14A28 X 3/4 K0 0S	SPR410B14A28X3/4	
2	1	41B14_410A32 X 3/4 K0 0S	SPR41B14_410A32X3/4	
3	3	5/16-18 X 5/16 SET SCREW	SCREW003	
4	2	5/8-18 HEX JAM NUT ZP	NUT013	
5	9	BELLEVILLE WASHER (31.5X16.3X0.8)	WASHER035	
6	1	CLPAD 5/8x4x0.125"	CLUTCHPAD005	3
7	1	COLLAR 3/4"	COLLAR005	
8	2	COLLAR 5/8"	COLLAR004	
9	1	COMP. SPRING 1"ID 2"L	SPRING041	
10	1	COUPLING 3/4 2 PINS 1/4	COUPLING014	3
11	2	FLANGED BEARING 5/8	BEARING006	
12	1	INPUT SHAFT OPJ	SHAFT107	2
13	1	KEY 3/16 X 1-1/2 ROUNDED ENDS	KW013	5
14	1	KEY 3/16 X 1/2	KW031	5
15	1	OPERA CLUTCHPLATE	CLUTCHPLATE006	3
16	1	OPERA SPACER 3/4"	SPACER008	1
17	1	PULLEY 7" x 5/8" 5LB	PULLEY020	5
18	1	SHIM WASHER (.750X1.125X.031) ZP	WASHER058	0
19	2	TYPE A PLAIN WASHER 5/8 N ZP	WASHER014	0

NOT SHOWN IN DRAWING		
Qty	DESCRIPTION	# MANARAS
1	TYPE B, INSIDE LENGHT 29"	VBELTB29



APPROUVÉ
Jonathan P.
 2016-09-27

PART DESCRIPTION		
OPJ CLUTCH SHAFT KIT		
PART NUMBER	MANARAS-OPERA	
MOUNTSHAFT020 (DRAWING020)	136 ONEIDA DRIVE	
DRAWN BY: O.BOTEZATU	POINTE-CLAIRE, QC, H9R 1A8	
DATE: 2016.08.09	TEL: 1-800-361-2260	
UPDATED BY: O.BOTEZATU	FAX: 1-888-626-0606	
DATE: 2016.09.26		
		SHEET: 1 of 1

CONFIDENTIAL: THIS DRAWING AND/OR THE INFORMATION CONTAINED HEREIN IS AND REMAINS THE SOLE PROPERTY OF, AND IS PROPRIETARY TO, MANARAS-OPERA. THIS DRAWING AND/OR INFORMATION SHALL BE KEPT CONFIDENTIAL AND MAY NOT BE REPRODUCED, COPIED, MODIFIED, DISCLOSED, TRANSFERRED, OR MADE AVAILABLE TO OTHERS, EXCEPT WITH THE EXPRESS CONSENT OF MANARAS-OPERA. IT IS LOANED IN CONFIDENCE FOR MUTUAL ASSISTANCE PURPOSES ONLY. MANARAS-OPERA MAY AT ANY TIME, WRITTEN MODIFY THE DRAWING AND/OR INFORMATION CONTAINED HEREIN.