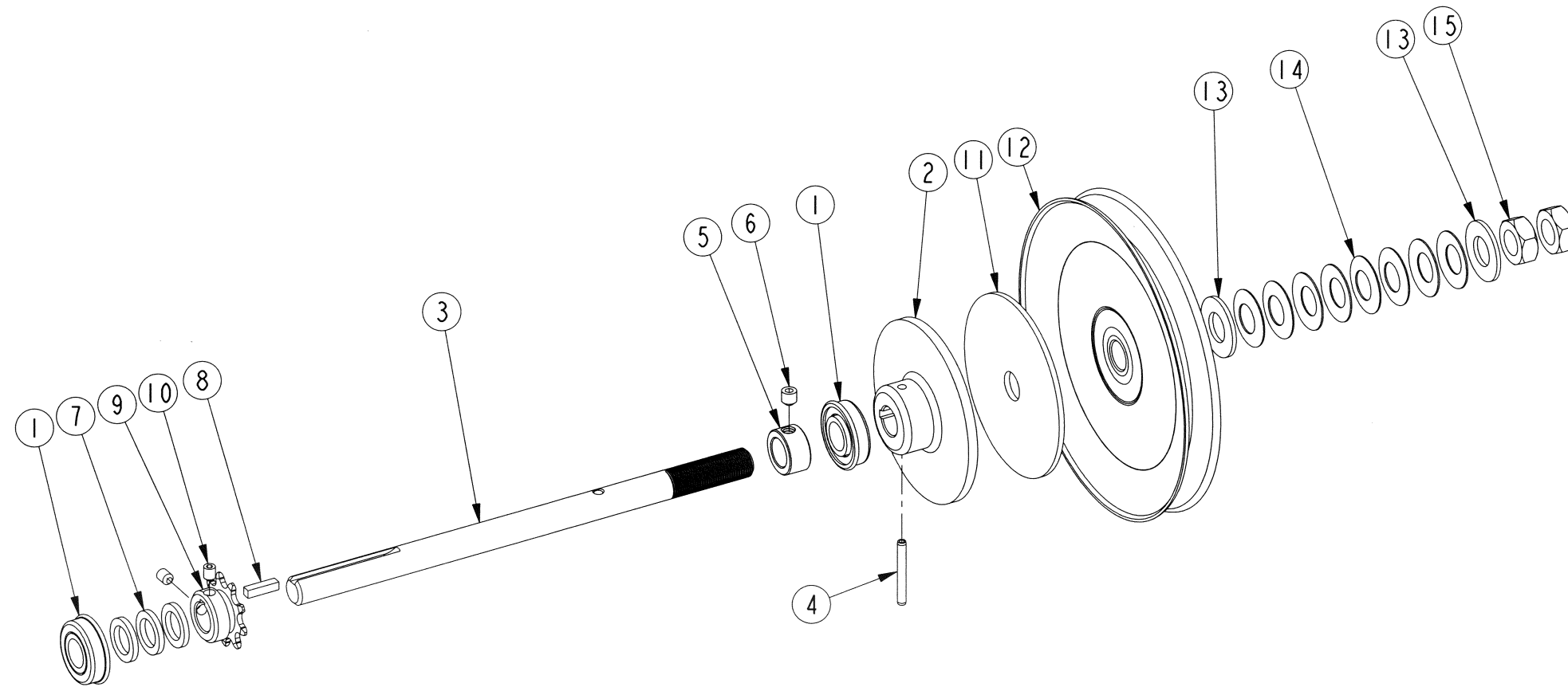


No	Qty	DESCRIPTION	# MANARAS	REV
1	2	FLANGE BEARING 5/8 c10-22f*3	BEARING005	
2	1	CLUTCHPLATE 5/8	CLUTCHPLATE004	3
3	1	MEDIUM TROLLEY INPUT SHAFT	SHAFT086	3
4	1	PIN SLOTTED SPRING 3/16 x 1.5	PIN007	
5	1	COLLAR 5/8"	COLLAR004	
6	1	5/16-18 X 5/16 SET SCREW	SCREW003	
7	3	FLT WASHER 5/8 (.630X.955X.120) ZP	WASHER019	
8	1	KEY 3/16 X 3/4	KW010	5
9	1	410B9 X 5/8 K3/16 2S1/4-20 CR	SPR410B9X5/8	1
10	2	1/4-20 X 5/16 SET SCREW	SCREW001	
11	1	CL.PAD 5/8x4x0.125"	CLUTCHPAD005	3
12	1	PULLEY 7" x 5/8" 5L/B	PULLEY020	5
13	2	TYPE A PLAIN WASHER 5/8 N ZP	WASHER014	
14	8	BELLEVILLE WASHER (31.5X16.3X0.8)	WASHER035	
15	2	5/8-18 HEX JAM NUT ZP	NUT013	

NOT SHOWN IN DRAWING		
Qty	DESCRIPTION	# MANARAS
1	TYPE A, INSIDE LENGHT 24"	VBELTA24



PART DESCRIPTION		
OMT CLUTCH SHAFT KIT		
PART NUMBER	MANARAS-OPERA	
MOUNTSHAFT021 (DRAWING027)	136 ONEIDA DRIVE	
DRAWN BY: J. PROULX	POINTE-CLAIRE, QC, H9R 1A8	
DATE: 2013-01-09	TEL: 1-800-361-2260	
UPDATED BY: —	FAX: 1-888-626-0606	
DATE: —		



SHEET: 2 of 3

CONFIDENTIAL: THIS DRAWING AND/OR THE INFORMATION CONTAINED HEREIN IS AND REMAINS THE SOLE PROPERTY OF, AND IS PROPRIETARY TO, MANARAS-OPERA. THIS DRAWING AND/OR INFORMATION SHALL BE KEPT CONFIDENTIAL AND MAY NOT BE REPRODUCED, COPIED, MODIFIED, DISCLOSED, TRANSFERRED, OR MADE AVAILABLE TO OTHERS, EXCEPT WITH THE EXPRESS CONSENT OF MANARAS-OPERA. IT IS LOANED IN CONFIDENCE FOR MUTUAL ASSISTANCE PURPOSES ONLY. MANARAS-OPERA MAY AT ANY TIME, WRITTEN MODIFY THE DRAWING AND/OR INFORMATION CONTAINED HEREIN.