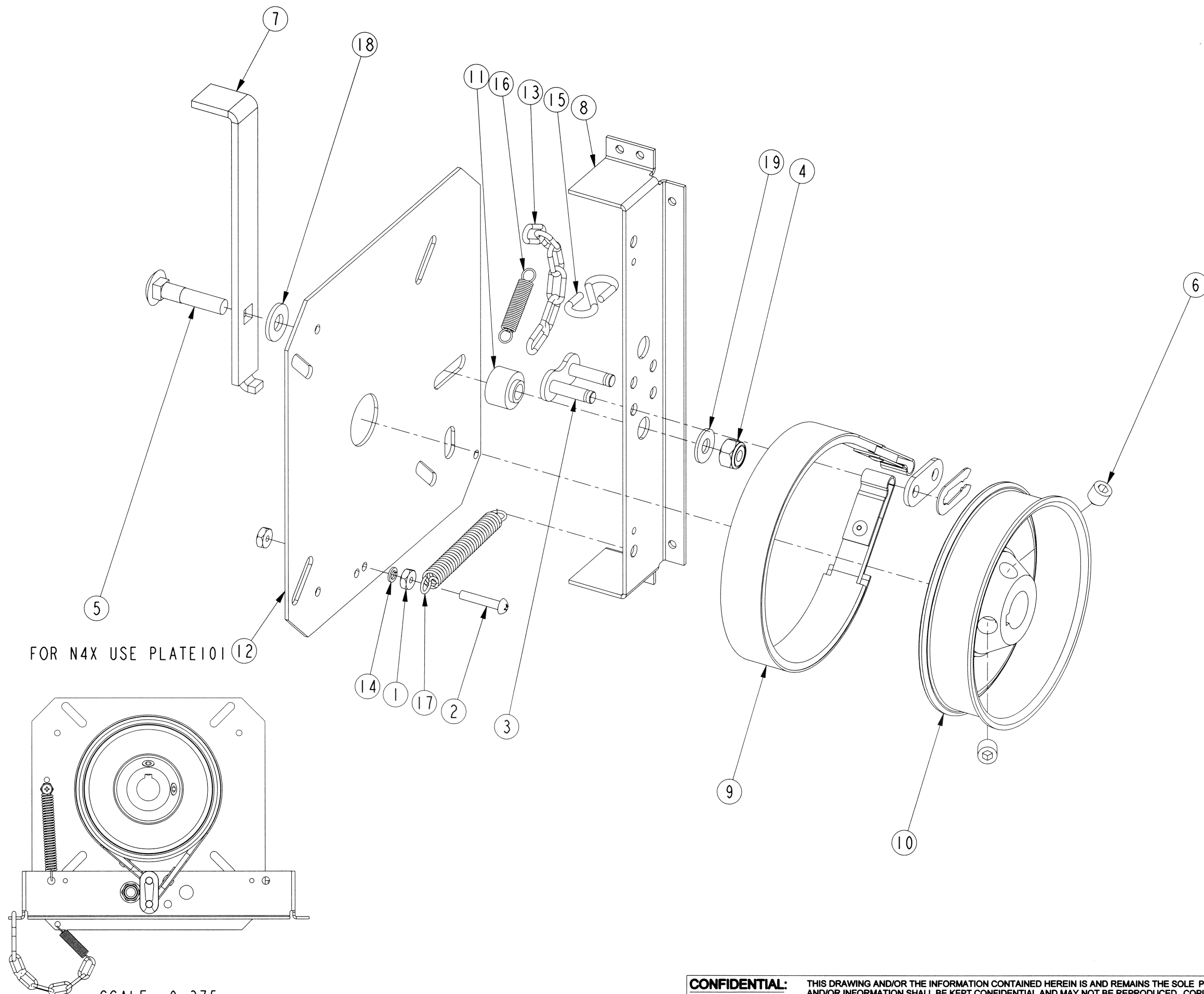


No	Qty	DESCRIPTION	# MANARAS	REV
1	2	6-32 HEX NUT ZP	NUT002	
2	1	6-32 X 3/4 MACHINE SCREW	SCREW041	
3	1	#50 CONNECTING LINK 50-1	LINK011	
4	1	1/4-20 HEX NYLON LOCK NUT ZP	NUT020	
5	1	1/4-20 X 1-1/4 RND HD SQ NECK BOLT	BOLT083	
6	2	5/16-18 X 5/16 SET SCREW	SCREW003	
7	1	ADJUSTEMENT BRAKE LEVER	LEVER064	3
8	1	BRAEK LEVER NEMA 4X, 4/12	LEVER084	
9	1	BRAKE BAND ASSEMBLY HEAVY DUTY	BRAKEPART019	
10	1	BRAKE DRUM	DRUM005	1
11	1	BRAKE LEVER PIVOT	BUSHING053	3
12	1	BRAKE PLATE N-4 NEW SYSTEM	PLATE075	7
13	1	BRAKE RELEASE CHAIN 3" - 6 LINKS	CHAIN088	
14	1	HELICAL SPRING LOCK WASHER NO 6 ZP	WASHER023	
15	1	S HOOK	HOOK001	
16	1	TOGGLE SWITCH SPRING	SPRING030	
17	1	TROLLEY ARM DISCONNECT SPRING	SPRING026	
18	1	TYPE A PLAIN WASHER 1/4 N ZP	WASHER004	
19	1	TYPE A PLAIN WASHER 3/16 ZP	WASHER003	

NOT SHOWN IN DRAWING		
Qty	DESCRIPTION	# MANARAS
2	1/16" CABLE STOPPER	BUSHING024
1	7X7 1/16"X16"CW STOP	CABLE012
1	7X7 1/16"X33"CW STOP	CABLE026
1	DISCONNECT CHAIN 5" LONG	CHAIN082
2	S HOOK	HOOK001
1	PIN COTTER 1/8 X 1-1/12	PIN001
1	SINGLE SWIVEL PULLEY	PULLEY016
2	8-32 X 3/8 MACHINE SCREW ZP	SCREW049
1	CABLE SLEEVE 1/16	SLEEVE001
1	EXTENSION SPRING E480-063-3275	SPRING027



PART DESCRIPTION		
N4/12-4X OSH BAND BRAKE		
PART NUMBER	MANARAS-OPERA	
BRAKE013A/B (DRAWING029)	136 ONEIDA DRIVE	
DRAWN BY: J. PROULX	POINTE-CLAIRE, QC, H9R 1A8	
DATE: 2013-03-15	TEL: 1-800-361-2260	
UPDATED BY: ---	FAX: 1-888-626-0606	
DATE: ---		



SHEET: 1 of 1

CONFIDENTIAL: THIS DRAWING AND/OR THE INFORMATION CONTAINED HEREIN IS AND REMAINS THE SOLE PROPERTY OF, AND IS PROPRIETARY TO, MANARAS-OPERA. THIS DRAWING AND/OR INFORMATION SHALL BE KEPT CONFIDENTIAL AND MAY NOT BE REPRODUCED, COPIED, MODIFIED, DISCLOSED, TRANSFERRED, OR MADE AVAILABLE TO OTHERS, EXCEPT WITH THE EXPRESS CONSENT OF MANARAS-OPERA. IT IS LOANED IN CONFIDENCE FOR MUTUAL ASSISTANCE PURPOSES ONLY. MANARAS-OPERA MAY AT ANY TIME, WRITTEN MODIFY THE DRAWING AND/OR INFORMATION CONTAINED HEREIN.

SCALE 0.375