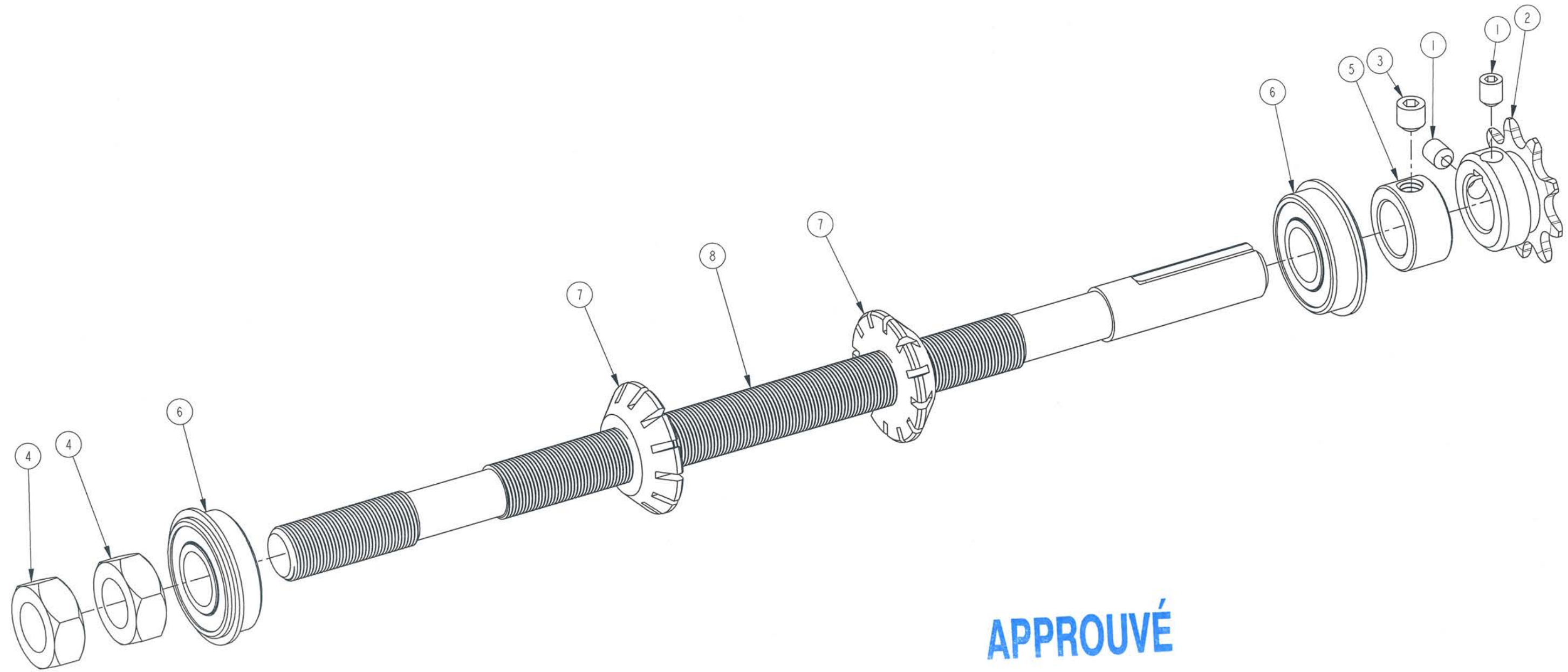


No	Qty	DESCRIPTION	# MANARAS	REV
1	2	1/4-20 X 5/16 SET SCREW	SCREW001	
2	1	410B9 X 5/8 K3/16 2S1/4-20 CR	SPR410B9X5/8	1
3	1	5/16-18 X 5/16 SET SCREW	SCREW003	
4	2	5/8-24 HEX JAM NUT ZP	NUT015	
5	1	COLLAR 5/8"	COLLAR004	
6	2	FLANGED BEARING 5/8	BEARING006	
7	2	LIMIT CAM 5/8-24UNEF	CAM004	
8	1	LIMIT SHAFT 5/8-24 X12.5	SHAFT064	1



APPROUVÉ

Jonathan Proulx
201701-18

PART DESCRIPTION		
PANEL078 LIMIT SHAFT KIT		
PART NUMBER	MANARAS-OPERA	
MOUNTSHAFT018E (DRAWING033)	136 ONEIDA DRIVE	
DRAWN BY: J. PROULX	POINTE-CLAIRE, QC, H9R 1A8	
DATE: 2013-04-15	TEL: 1-800-361-2260	
UPDATED BY: O.BOTEZATU	FAX: 1-888-626-0606	
DATE: 2016.12.12		SHEET: 1 of 1

CONFIDENTIAL: THIS DRAWING AND/OR THE INFORMATION CONTAINED HEREIN IS AND REMAINS THE SOLE PROPERTY OF, AND IS PROPRIETARY TO, MANARAS-OPERA. THIS DRAWING AND/OR INFORMATION SHALL BE KEPT CONFIDENTIAL AND MAY NOT BE REPRODUCED, COPIED, MODIFIED, DISCLOSED, TRANSFERRED, OR MADE AVAILABLE TO OTHERS, EXCEPT WITH THE EXPRESS CONSENT OF MANARAS-OPERA. IT IS LOANED IN CONFIDENCE FOR MUTUAL ASSISTANCE PURPOSES ONLY. MANARAS-OPERA MAY AT ANY TIME, WRITTEN MODIFY THE DRAWING AND/OR INFORMATION CONTAINED HEREIN.