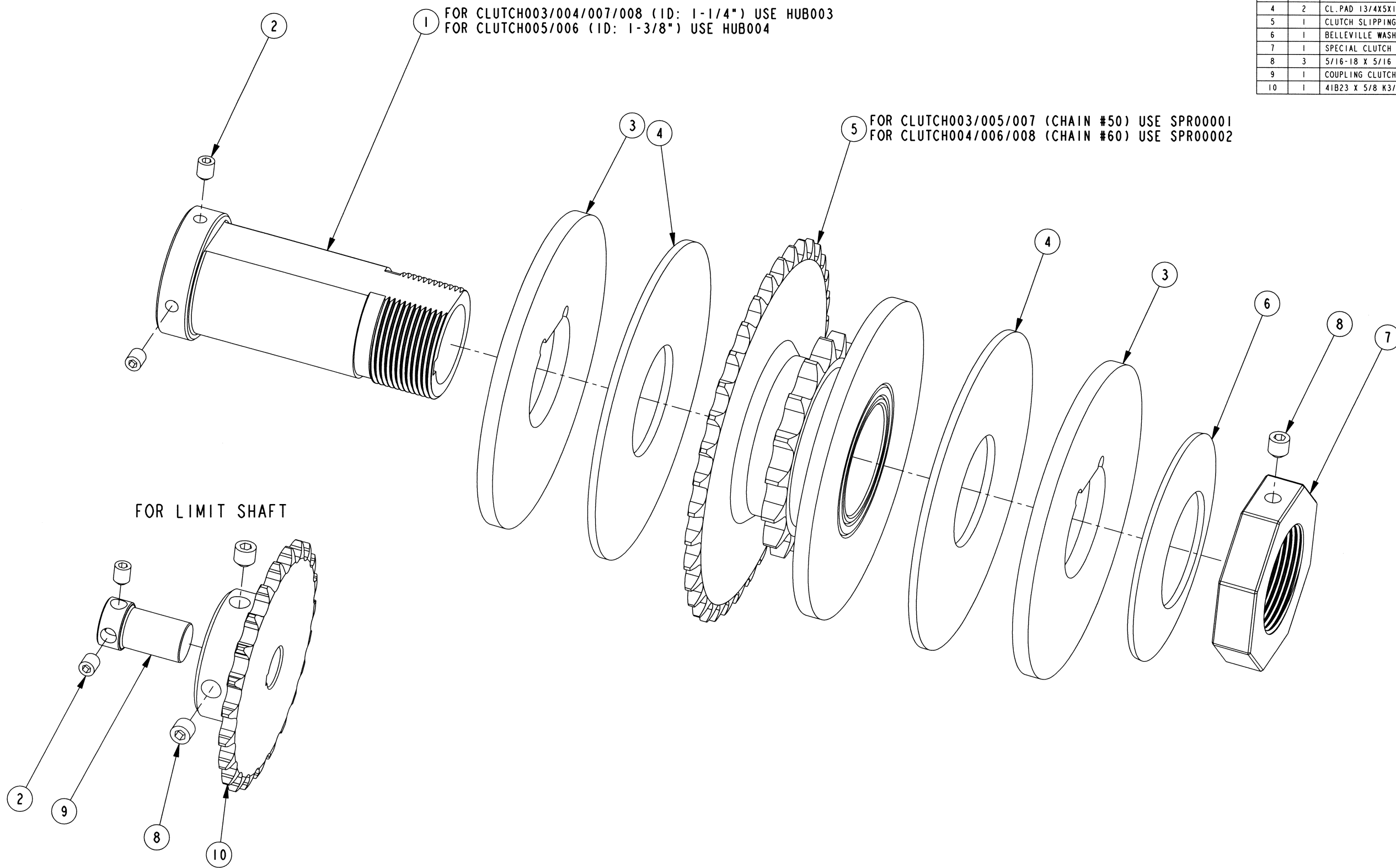


No	Qty	DESCRIPTION	# MANARAS	REV
1	1	HOLLOW CLUTCH HUB	SEE NOTE	5
2	4	1/4-20 X 5/16 SET SCREW	SCREW001	
3	2	CLUTCH DISC 1-3/4	CLUTCHDISC003	
4	2	CL.PAD 13/4X5X1/8"	CLUTCHPAD007	0
5	1	CLUTCH SLIPPING SPROCKET	SEE NOTE	
6	1	BELLEVILLE WASHER (90X46X2.5)	WASHER037	
7	1	SPECIAL CLUTCH NUT 1-3/4 x 3/4	NUT038	3
8	3	5/16-18 X 5/16 SET SCREW	SCREW003	
9	1	COUPLING CLUTCH OGH	COUPLING017	0
10	1	41B23 X 5/8 K3/16 2S5/16-18	SPR41B23X5/8	1



LIMIT CHAIN SUPPLIED BUT NOT SHOWN

PART DESCRIPTION	
FRICITION CLUTCH	
PART NUMBER	MANARAS-OPERA
CLUTCHbox (DRAWING036)	136 ONEIDA DRIVE
DRAWN BY: J. PROULX	POINTE-CLAIRE, QC, H9R 1A8
DATE: 2013-07-02	TEL: 1-800-361-2260
UPDATED BY: --	FAX: 1-888-626-0606
DATE: --	



SHEET: 1 of 1

CONFIDENTIAL: THIS DRAWING AND/OR THE INFORMATION CONTAINED HEREIN IS AND REMAINS THE SOLE PROPERTY OF, AND IS PROPRIETARY TO, MANARAS-OPERA. THIS DRAWING AND/OR INFORMATION SHALL BE KEPT CONFIDENTIAL AND MAY NOT BE REPRODUCED, COPIED, MODIFIED, DISCLOSED, TRANSFERRED, OR MADE AVAILABLE TO OTHERS, EXCEPT WITH THE EXPRESS CONSENT OF MANARAS-OPERA. IT IS LOANED IN CONFIDENCE FOR MUTUAL ASSISTANCE PURPOSES ONLY. MANARAS-OPERA MAY AT ANY TIME, WRITTEN MODIFY THE DRAWING AND/OR INFORMATION CONTAINED HEREIN.