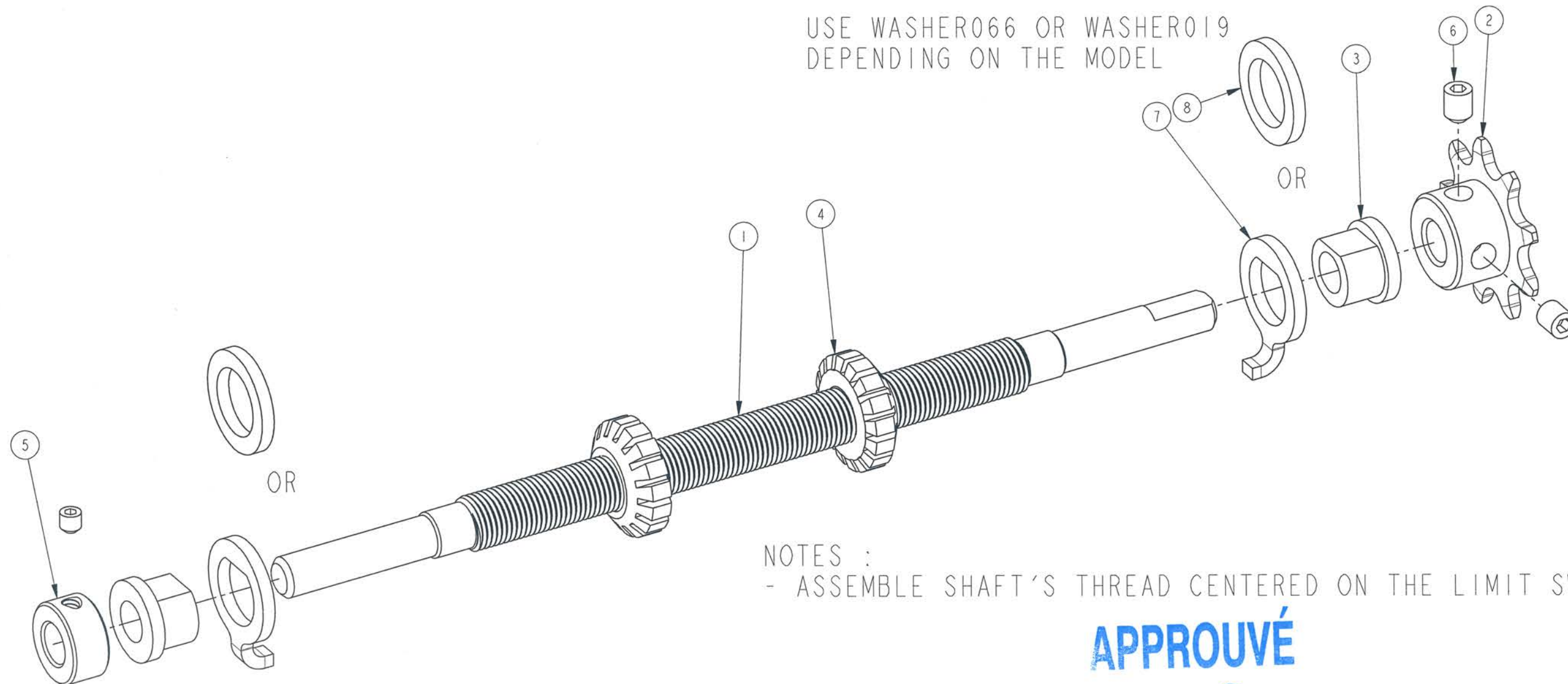


No	Qty	DESCRIPTION	# MANARAS	REV
1	1	OPERA LIMIT SHAFT	SHAFT103	9
2	1	410B9 X 3/8 KO 2S1/4-20	SPR410B9X3/8	
3	2	OPERA LIMIT SHAFT BUSHING	BUSHING055	1
4	2	CAM LIMIT OPERA	CAM011	2
5	1	STEEL COLLAR 0.3	COLLAR002	
6	2	1/4-20 X 5/16 SET SCREW	SCREW001	
7	2	LIMIT SHAFT BUSING LOCK WASHER	WASHER066	2
8	2	FLT WASHER 5/8 (.630X.955X.120) ZP	WASHER019	0

USE WASHER066 OR WASHER019  
DEPENDING ON THE MODEL



NOTES :  
- ASSEMBLE SHAFT'S THREAD CENTERED ON THE LIMIT SWITCHES.

**APPROUVÉ**

*Jonathan Proulx*  
2017-01-18

PART DESCRIPTION		
<b>OTH/OTBH LIMIT SHAFT KIT</b>		
<b>PART NUMBER</b>	MANARAS-OPERA	
MOUNTSHAFT018G (DRAWING037)	136 ONEIDA DRIVE	
<b>DRAWN BY:</b> J. PROULX	POINTE-CLAIRE, QC, H9R 1A8	
<b>DATE:</b> 2013.04.15	TEL: 1-800-361-2260	
<b>UPDATED BY:</b> O.BOTEZATU	FAX: 1-888-626-0606	
<b>DATE:</b> 2016.12.12		
		SHEET: 1 of 1

**CONFIDENTIAL:** THIS DRAWING AND/OR THE INFORMATION CONTAINED HEREIN IS AND REMAINS THE SOLE PROPERTY OF, AND IS PROPRIETARY TO, MANARAS-OPERA. THIS DRAWING AND/OR INFORMATION SHALL BE KEPT CONFIDENTIAL AND MAY NOT BE REPRODUCED, COPIED, MODIFIED, DISCLOSED, TRANSFERRED, OR MADE AVAILABLE TO OTHERS, EXCEPT WITH THE EXPRESS CONSENT OF MANARAS-OPERA. IT IS LOANED IN CONFIDENCE FOR MUTUAL ASSISTANCE PURPOSES ONLY. MANARAS-OPERA MAY AT ANY TIME, WRITTEN MODIFY THE DRAWING AND/OR INFORMATION CONTAINED HEREIN.