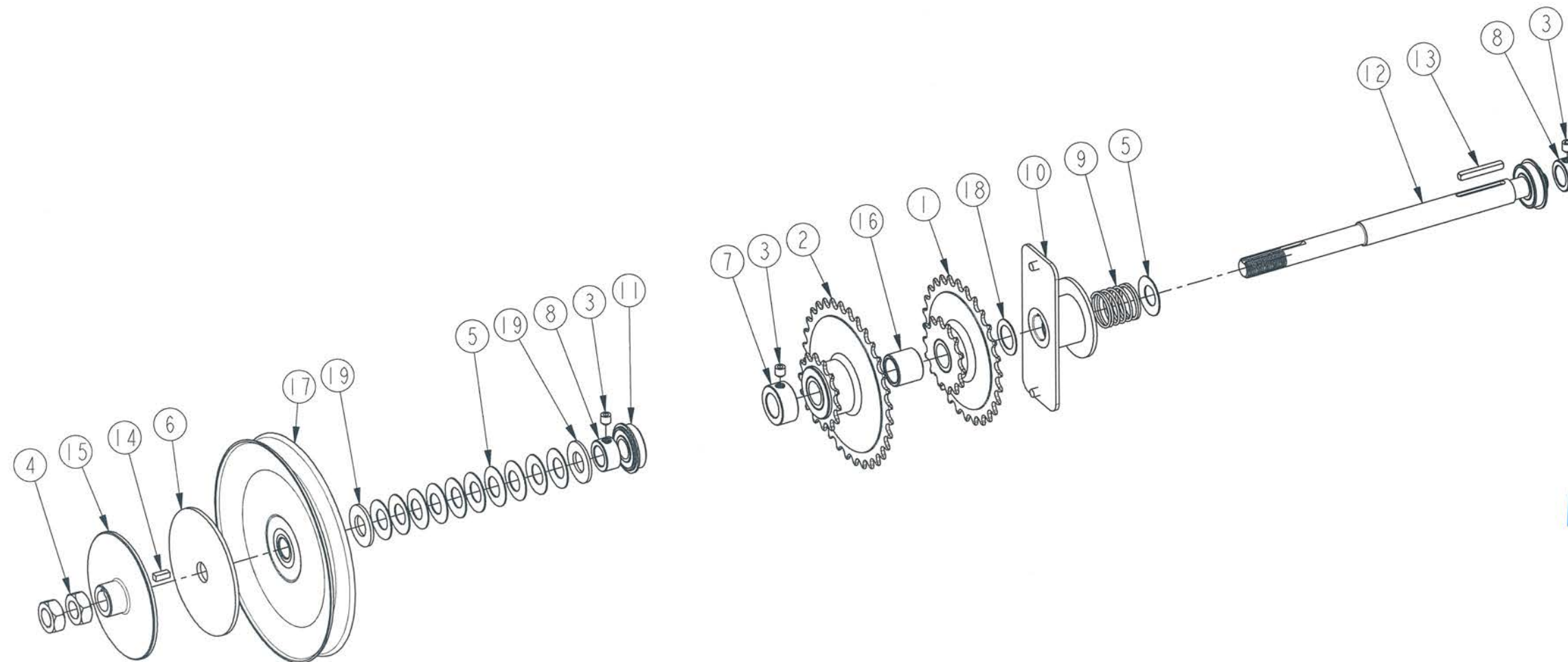


| No | Qty | DESCRIPTION | # MANARAS | REV |
|----|-----|-----------------------------------|------------------|-----|
| 1 | 1 | 410B14A28 X 3/4 KO OS | SPR410B14A28X3/4 | |
| 2 | 1 | 410B14A32 X 3/4 KO OS | SPR00003 | |
| 3 | 3 | 5/16-18 X 5/16 SET SCREW | SCREW003 | |
| 4 | 2 | 5/8-18 HEX JAM NUT ZP | NUT013 | |
| 5 | 11 | BELLEVILLE WASHER (31.5X16.3X0.8) | WASHER035 | |
| 6 | 1 | CL.PAD 5/8x4x0.125" | CLUTCHPAD005 | 3 |
| 7 | 1 | COLLAR 3/4" | COLLAR005 | |
| 8 | 2 | COLLAR 5/8" | COLLAR004 | |
| 9 | 1 | COMP. SPRING 1"ID 2"L | SPRING041 | |
| 10 | 1 | COUPLING 3/4 2 PINS 1/4 | COUPLING014 | 3 |
| 11 | 2 | FLANGED BEARING 5/8 | BEARING006 | |
| 12 | 1 | INPUT SHAFT OPJ | SHAFT107 | 2 |
| 13 | 1 | KEY 3/16 X 1-1/2 ROUNDED ENDS | KW013 | 5 |
| 14 | 1 | KEY 3/16 X 1/2 | KW031 | 5 |
| 15 | 1 | OPERA CLUTCHPLATE | CLUTCHPLATE006 | 3 |
| 16 | 1 | OPERA SPACER 3/4" | SPACER008 | 1 |
| 17 | 1 | PULLEY 7" x 5/8" 5L/B | PULLEY020 | 5 |
| 18 | 1 | SHIM WASHER (.750X1.125X.031) ZP | WASHER058 | 0 |
| 19 | 2 | TYPE A PLAIN WASHER 5/8 N ZP | WASHER014 | 0 |

| NOT SHOWN IN DRAWING | | |
|----------------------|---------------------------|-----------|
| Qty | DESCRIPTION | # MANARAS |
| 1 | TYPE B, INSIDE LENGTH 26" | VBELTB26 |



APPROUVÉ
Zachary J. K.
 2016-09-27

| PART DESCRIPTION | | |
|-----------------------------|----------------------------|--|
| OMJ CLUTCH SHAFT KIT | | |
| PART NUMBER | MANARAS-OPERA | |
| MOUNTSHAFT023 (DRAWING039) | 136 ONEIDA DRIVE | |
| DRAWN BY: O.BOTEZATU | POINTE-CLAIRE, QC, H9R 1A8 | |
| DATE: 2016.08.03 | TEL: 1-800-361-2260 | |
| UPDATED BY: O.BOTEZATU | FAX: 1-888-626-0606 | |
| DATE: 2016.09.26 | | |



SHEET: 1 of 1

CONFIDENTIAL: THIS DRAWING AND/OR THE INFORMATION CONTAINED HEREIN IS AND REMAINS THE SOLE PROPERTY OF, AND IS PROPRIETARY TO, MANARAS-OPERA. THIS DRAWING AND/OR INFORMATION SHALL BE KEPT CONFIDENTIAL AND MAY NOT BE REPRODUCED, COPIED, MODIFIED, DISCLOSED, TRANSFERRED, OR MADE AVAILABLE TO OTHERS, EXCEPT WITH THE EXPRESS CONSENT OF MANARAS-OPERA. IT IS LOANED IN CONFIDENCE FOR MUTUAL ASSISTANCE PURPOSES ONLY. MANARAS-OPERA MAY AT ANY TIME, WRITTEN MODIFY THE DRAWING AND/OR INFORMATION CONTAINED HEREIN.