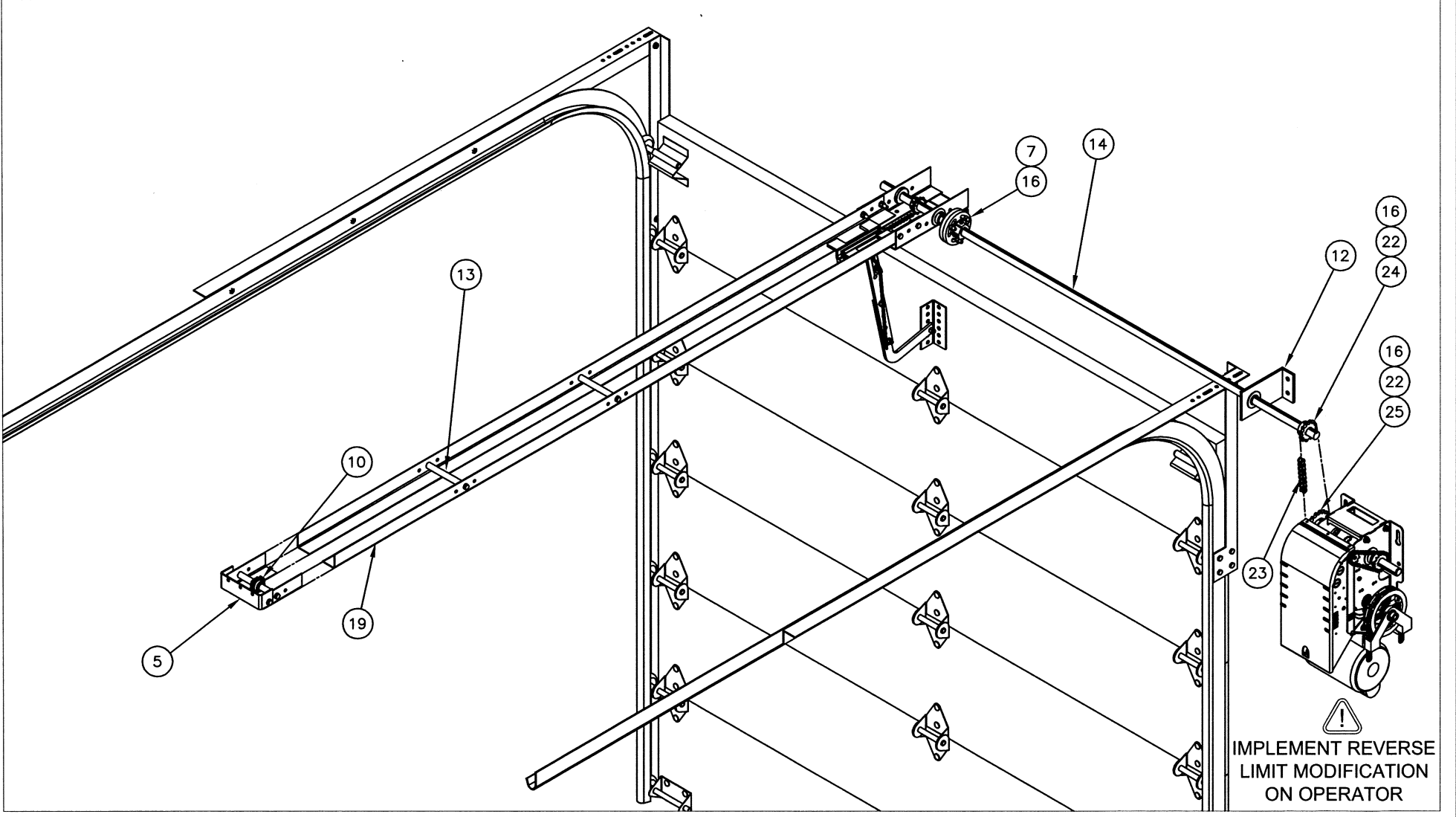
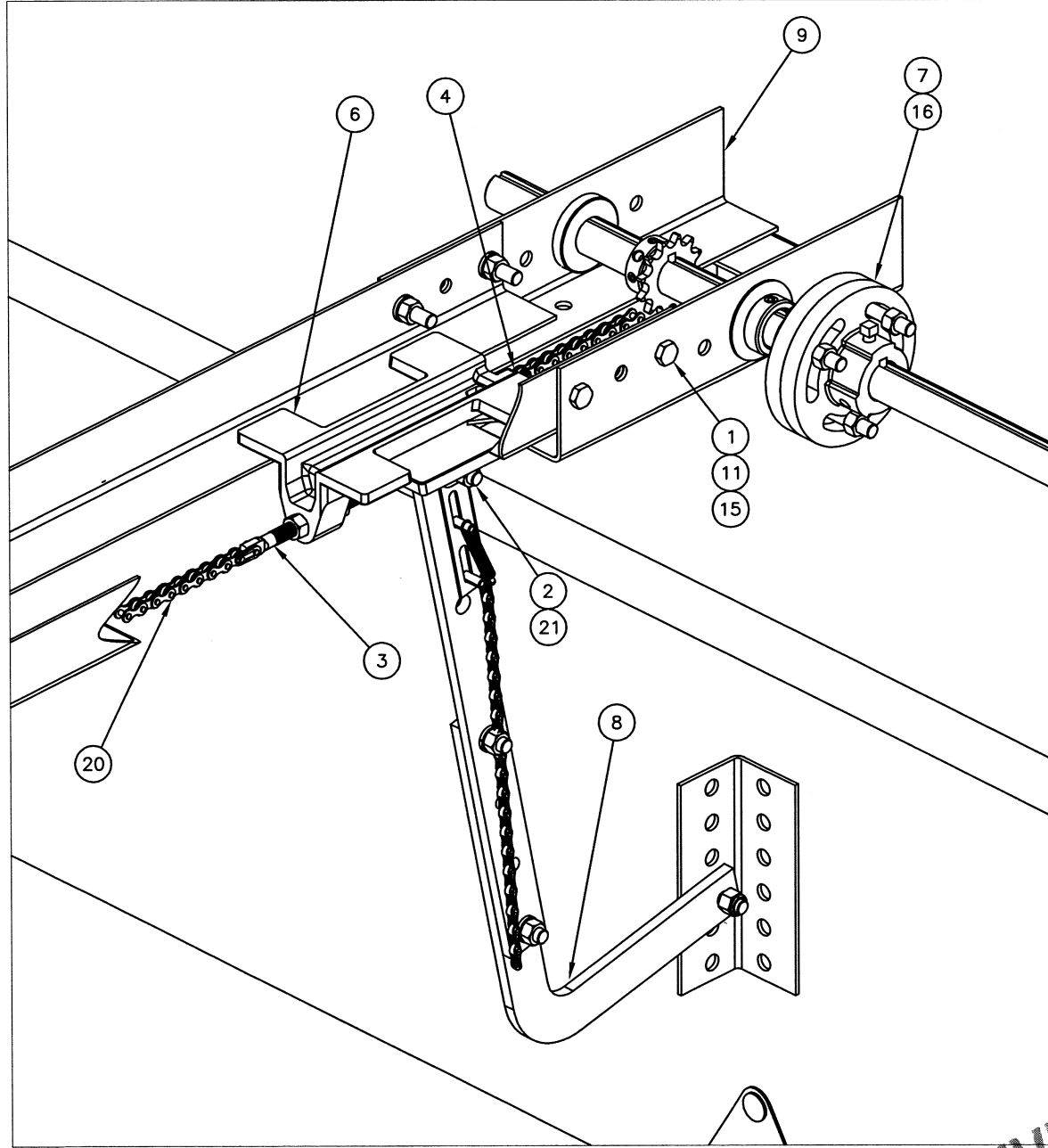


| | | | | | |
|---|----|---|------------------------------------|-------------------|-----|
| AUXILIARY Jxxx AUX JHxxx HARDKIT xxx T2-HBAG T1xx | 7 | 1 | SOLID COUPLING 1" | COUPLING005 | . |
| | 8 | 1 | DOOR LIFTING ARM ASS. TROLLEY | DOORARM001 | . |
| | 9 | 1 | FRONTIDLER #41 H.D. OR #410 H.D | FRONTIDLER006-009 | -/A |
| | 12 | 1 | BEARING PLATE ID1" OFF.5" | PLATE083 | . |
| | 16 | 4 | SQUARE SHAFT KEYS 1/4 X 1-1/2 | KW019 | A |
| | 22 | 4 | SET S KNURLED CUP5/16-18X5/16 | SCREW003 | . |
| | 23 | 1 | #50 ROLLAR CHAIN 4' 50-1R76P | CHAIN030 | . |
| | 24 | 1 | SPROCKET 50B12X1 | SPR50B12x1 | . |
| | 25 | 1 | SPROCKET 50B18 OR 50B23 | SPR50B18 / 50B23 | . |
| | 5 | 1 | TROLLEY FRONT END U-BRACKET | BRACKET043 | A |
| | 6 | 1 | DIE CAST ALUMINIUM CARRIAGE | CARRIAGE006 | B |
| | 10 | 1 | FRONTIDLER ASSEMBLY #41 OR #410 | FRONTIDLER010-007 | -/C |
| | 13 | | TROLLEY TRACK SPACER | SHAFT017 | C |
| | 1 | 6 | HEX HEAD BOLT 3/8 x 1 1/4 | BOLT026 | . |
| | 2 | 1 | HEX BOLT.375-16unc2.25 | BOLT031 | . |
| | 3 | 1 | TAKE UP BOLT 3/8 X 2 1/2 | BOLT035 | A |
| | 4 | 1 | #41 CONNECTING LINK 41-1 | LINK004 | . |
| | 11 | 8 | NUT 3/8 | NUT010 | . |
| | 15 | 7 | LOCK WASHER 3/8 | WASHER030 | . |
| | 21 | 1 | STOP NUT 3/8 | NUT022 | . |
| | 14 | 1 | 1"X144"C12L14 SHAFT 1/4KW | SHAFT075 | . |
| | 19 | 2 | TRACK | TRACKxxx | . |
| | 20 | 1 | TROLLEY CHAIN #41 OR #410 C/W LINK | THxxx | . |



NOTE:
 IF OPTIONAL CLUTCH IS USED ON GEAR-HEAD OPERATORS
 -INSTALL CLUTCH ON TROLLEY SHAFT
 -USE SPRxxx B23 ON OPERATOR OUTPUT SHAFT
 -ADDITIONNAL SPR41B36 MUST BE PLACED ON OPERATOR OUTPUT SHAFT, TO DRIVE THE LIMIT SHAFT

J. Proulx
 27/03/12

| | | |
|---------------------------------|---------------------|---|
| PART DESCRIPTION | | |
| AUX. TROLLEY DRIVE INSTALLATION | | |
| PART NUMBER | MOD060 (DRAWING042) | |
| DRAWN BY: | N. VIAU | |
| DATE: | 2004.01.05 | |
| UPDATED BY: | J. Proulx | MANARAS-OPERA 136 ONEIDA DRIVE POINTE-CLAIRE, QC, H9R 1A8 TEL: 1-800-361-2260 FAX: 1-888-626-0606 |
| DATE: | 2017.09.11 | SHEET: 1 of 1 |

CONFIDENTIAL: THIS DRAWING AND/OR THE INFORMATION CONTAINED HEREIN IS AND REMAINS THE SOLE PROPERTY OF, AND IS PROPRIETARY TO, MANARAS-OPERA. THIS DRAWING AND/OR INFORMATION SHALL BE KEPT CONFIDENTIAL AND MAY NOT BE REPRODUCED, COPIED, MODIFIED, DISCLOSED, TRANSFERRED, OR MADE AVAILABLE TO OTHERS, EXCEPT WITH THE EXPRESS CONSENT OF MANARAS-OPERA. IT IS LOANED IN CONFIDENCE FOR MUTUAL ASSISTANCE PURPOSES ONLY. MANARAS-OPERA MAY AT ANY TIME, WRITTEN MODIFY THE DRAWING AND/OR INFORMATION CONTAINED HEREIN.

APPROUVE