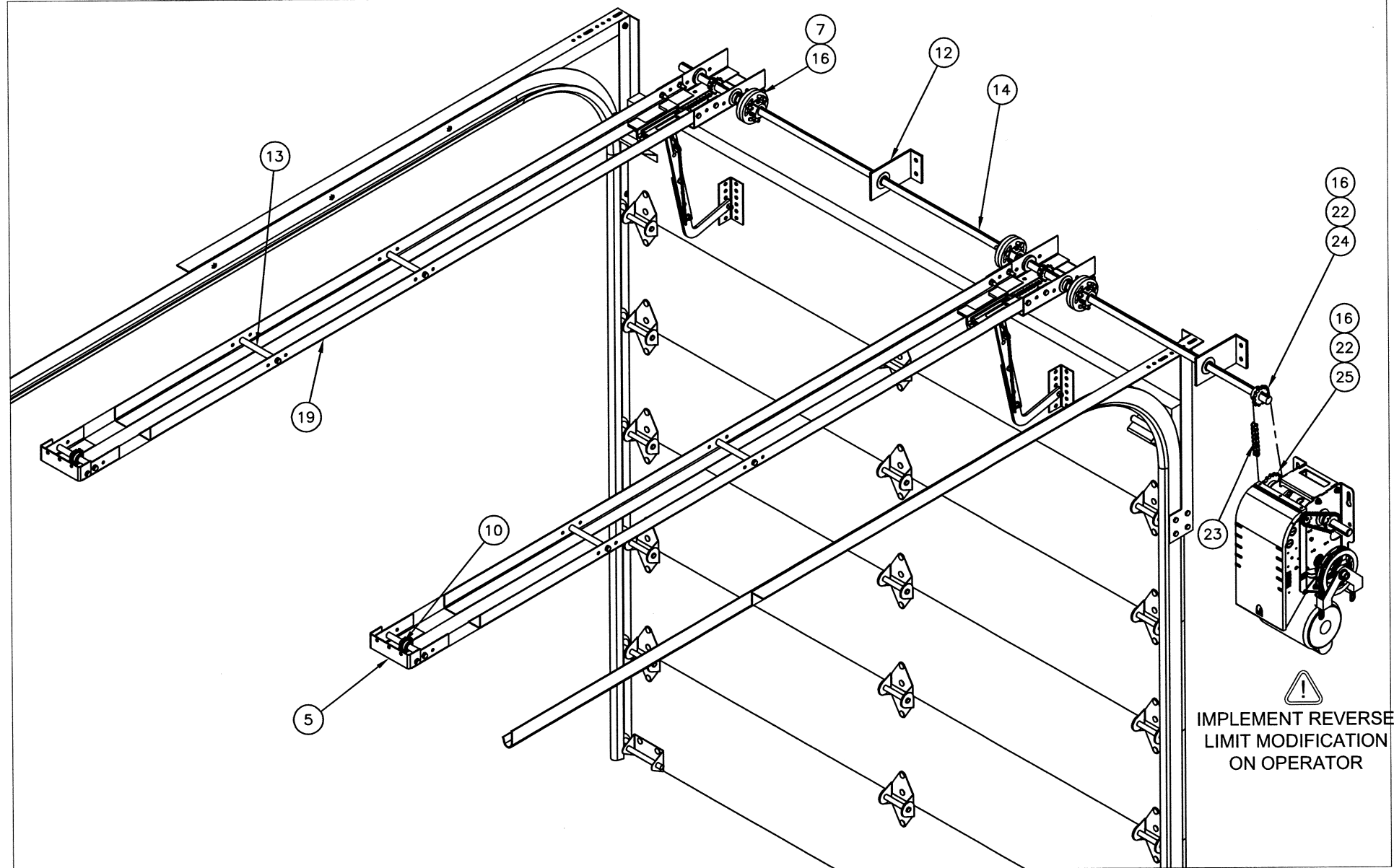
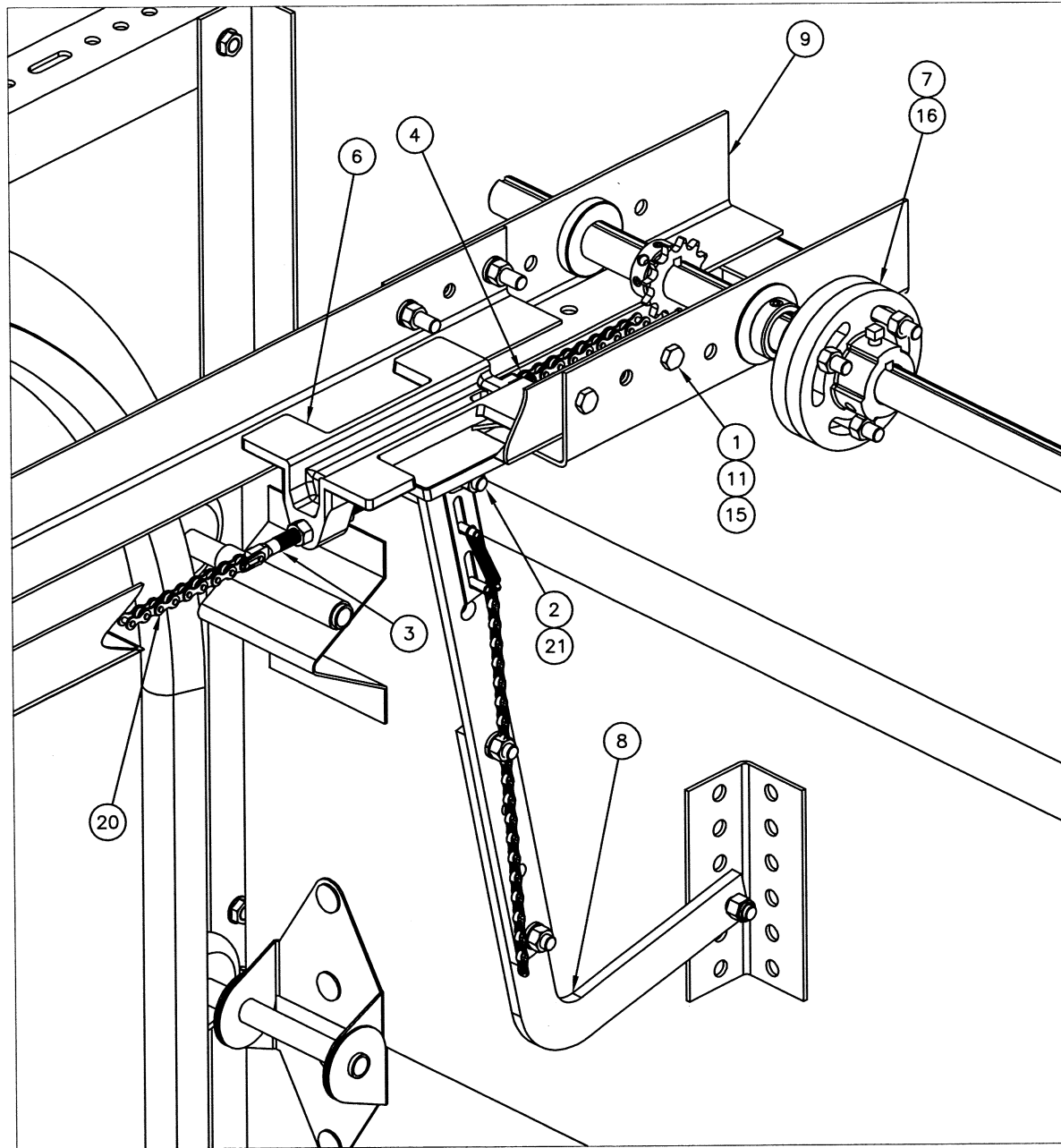


|          |            |    |                                 |                           |         |
|----------|------------|----|---------------------------------|---------------------------|---------|
| AUXJHxxx | 7          | 1  | SOLID COUPLING 1"               | COUPLING005               | .       |
|          | 8          | 1  | DOOR LIFTING ARM ASS. TROLLEY   | DOORARM001                | .       |
|          | 12         | 1  | BEARING PLATE ID1" OFF.5"       | PLATE083                  | .       |
|          | 16         | 4  | SQUARE SHAFT KEYS 1/4 X 1-1/2   | KW019                     | A       |
|          | 22         | 4  | SET S KNURLED CUP5/16-18X5/16   | SCREW003                  | .       |
|          | 23         | 1  | #50 ROLLAR CHAIN 4' 50-1R76P    | CHAIN030                  | .       |
|          | 24         | 1  | SPROCKET 50B12X1                | SPR50B12x1                | .       |
|          | 25         | 1  | SPROCKET 50B18 OR 50B23         | SPR50B18 / 50B23          | .       |
|          | 5          | 1  | TROLLEY FRONT END U-BRACKET     | BRACKET043                | A       |
|          | 6          | 1  | TROLLEY CARRIAGE                | CARRIAGE006               | B       |
|          | 10         | 1  | FRONTIDLER ASSEMBLY #41 OR #410 | FRONTIDLER010-007         | -/C     |
|          | 13         | 1  | TROLLEY TRACK SPACER            | SHAFT017                  | C       |
|          | HARDKITxxx | 1  | 6                               | HEX HEAD BOLT 3/8 x 1 1/4 | BOLT026 |
| 2        |            | 1  | HEX BOLT.375-16unc2.25          | BOLT031                   | .       |
| 3        |            | 1  | TAKE UP BOLT 3/8 X 2 1/2        | BOLT035                   | A       |
| 4        |            | 1  | #41 CONNECTING LINK 41-1        | LIMK004                   | .       |
| 11       |            | 10 | NUT 3/8                         | NUT010                    | .       |
| 15       |            | 8  | LOCK WASHER 3/8                 | WASHER030                 | .       |
| 21       |            | 1  | STOP NUT 3/8                    | NUT022                    | .       |

|         |               |                                    |                               |                                 |                   |     |
|---------|---------------|------------------------------------|-------------------------------|---------------------------------|-------------------|-----|
| T2-HBAG | 1             | 6                                  | HEX HEAD BOLT 3/8 x 1 1/4     | BOLT026                         | .                 |     |
|         | 2             | 1                                  | HEX BOLT.375-16unc2.25        | BOLT031                         | .                 |     |
|         | 3             | 1                                  | TAKE UP BOLT 3/8 X 2 1/2      | BOLT035                         | A                 |     |
|         | 4             | 1                                  | #41 CONNECTING LINK 41-1      | LINK004                         | .                 |     |
|         | 11            | 10                                 | NUT 3/8                       | NUT010                          | .                 |     |
|         | 15            | 8                                  | LOCK WASHER 3/8               | WASHER030                       | .                 |     |
|         | 21            | 1                                  | STOP NUT 3/8                  | NUT022                          | .                 |     |
|         | AUXILIARYTxxx | 5                                  | 1                             | TROLLEY FRONT END U-BRACKET     | BRACKET043        | A   |
|         |               | 6                                  | 1                             | TROLLEY CARRIAGE                | CARRIAGE006       | B   |
|         |               | 7                                  | 2                             | SOLID COUPLING 1"               | COUPLING005       | .   |
|         |               | 8                                  | 1                             | DOOR LIFTING ARM ASS. TROLLEY   | DOORARM001        | .   |
|         |               | 9                                  | 2                             | FRONTIDLER#41 H.D. OR #410 H.D  | FRONTIDLER006-009 | -/A |
|         |               | 10                                 | 1                             | FRONTIDLER ASSEMBLY #41 OR #410 | FRONTIDLER010-007 | -/C |
| 12      |               | 1                                  | BEARING PLATE ID 1" OFF. 5"   | PLATE083                        | .                 |     |
| 13      |               | 1                                  | TROLLEY TRACK SPACER          | SHAFT017                        | C                 |     |
| 16      |               | 4                                  | SQUARE SHAFT KEYS 1/4 X 1-1/2 | KW019                           | A                 |     |
| 14      |               | 1                                  | SHAFT 1", 12 FT WITH KW 1/4   | SHAFT075                        | E                 |     |
| 19      | 4             | TRACK                              | TRACKxxx                      | .                               |                   |     |
| 20      | 2             | TROLLEY CHAIN #41 OR #410 C/W LINK | THxxx                         | .                               |                   |     |



**NOTE:**  
 IF OPTIONAL CLUTCH IS USED ON GEAR-HEAD OPERATORS  
 -INSTALL CLUTCH ON TROLLEY SHAFT  
 -USE SPRxxx B23 ON OPERATOR OUTPUT SHAFT  
 -ADDITIONNAL SPR41B36 MUST BE PLACED ON OPERATOR OUTPUT SHAFT, TO DRIVE THE LIMIT SHAFT

*Handwritten signature and date:*  
 2/7/09/12

**APPROUVÉ**

|   |                            |
|---|----------------------------|
| PART DESCRIPTION                            |                            |
| <b>DUAL AUX. TROLLEY DRIVE INSTALLATION</b> |                            |
| PART NUMBER                                 | MANARAS-OPERA              |
| MOD061 (DRAWING043)                         | 136 ONEIDA DRIVE           |
|   | POINTE-CLAIRE, QC, H9R 1A8 |
| DRAWN BY: N. VIAU                           | TEL: 1-800-361-2260        |
| DATE: 2004.01.05                            | FAX: 1-888-626-0606        |
| UPDATED BY: J. Proulx                       |                            |
| DATE: 2017.09.11                            |                            |



**CONFIDENTIAL:** THIS DRAWING AND/OR THE INFORMATION CONTAINED HEREIN IS AND REMAINS THE SOLE PROPERTY OF, AND IS PROPRIETARY TO, MANARAS-OPERA. THIS DRAWING AND/OR INFORMATION SHALL BE KEPT CONFIDENTIAL AND MAY NOT BE REPRODUCED, COPIED, MODIFIED, DISCLOSED, TRANSFERRED, OR MADE AVAILABLE TO OTHERS, EXCEPT WITH THE EXPRESS CONSENT OF MANARAS-OPERA. IT IS LOANED IN CONFIDENCE FOR MUTUAL ASSISTANCE PURPOSES ONLY. MANARAS-OPERA MAY AT ANY TIME, WRITTEN MODIFY THE DRAWING AND/OR INFORMATION CONTAINED HEREIN.