

# SPECIFICATION SHEET

# GH



***GH, a heavy duty WORM GEAR operator for industrial, high & vertical lift sectional doors, rolling doors and grilles. It can be wall, hood or shelf mounted on either side of the door. It incorporates a chain hoist for manual operation.***

***Manaras***

● Somfy International

## • Construction

- Continuous duty TEFC industrial motor (60 Hz)
- Worm gear in oil bath reduction
- 1" output shaft with 1/4" keyway
- Output shaft speed: 38 rpm
- Operator sprocket: 50B12
- Solenoid brake
- Rotary type limit switches
- Green baked-on long lasting enamel finish
- Motor removable without affecting limits
- Universal mounting
- Approximate shipping weight: 119 lbs. – 53.6 Kg

## 2 Year Warranty

## • Main Options

- Nema 4/12
- Nema 7/9
- Nema 4X
- Friction clutch
- Hoist left mount
- Delay on reverse
- Timer to close
- Double limit
- Chain spreader
- Hood mounting angle bracket
- Wall mounting stud bracket

## • Safety Features

- Emergency chain hoist with electrical cut out
- Hand chain on right standard - can be moved on left in field
- Floor level disconnect
- Full overload protection
- Unique fused control circuit protection



## • Multi-Function 24V Safety Control Circuit

- **Electronic Control Board with 5V logic.** Options included: B2, E2 wiring, timer to close, mid-stop, delay on reverse, maximum run timer.
- **24V control circuit with heavy-duty reversing contactor.** C2 wiring is standard. B2 can be set very easily by moving one wire (see Manaras wiring diagram).

## • Operator range and current consumption (Amp.)

Horse Power	115 V 1 Ph	230 V 1 Ph	208/230 V 3 Ph	460 V 3 Ph	575 V 3 Ph
1/2	9.0	4.5	2.2	1.1	-
3/4	11.2	5.6	3.2	1.5	1.2
1	13.6	6.8	3.7	1.7	1.4
1-1/2	19.6*	9.8	5.3	2.5	2.0
2	-	-	6.5*	3.1*	2.5*

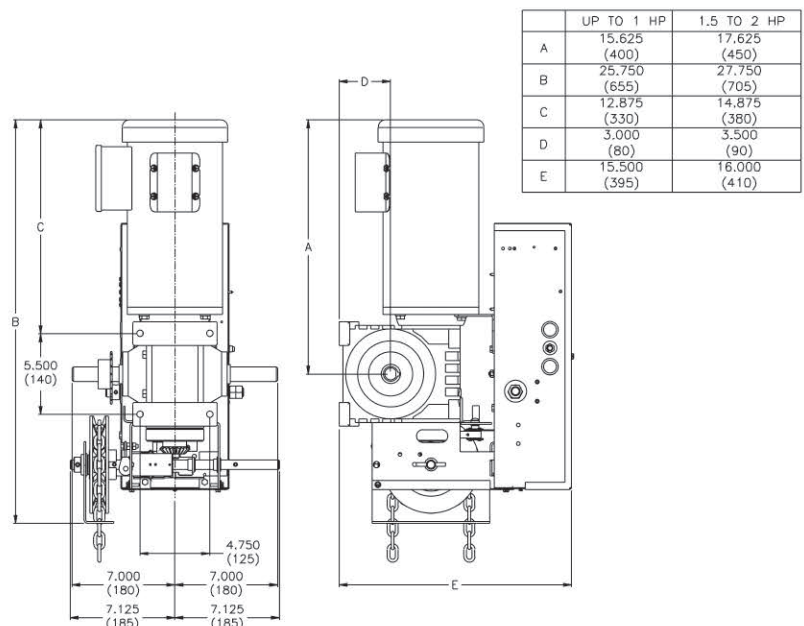
\*ECB not available

## Motor Selection

Maximum Size of Door in Square Feet

Horse Power	Rolling Doors					Sectional Doors				
	Insulated steel	16 ga. steel	Steel Grilles 20 ga. steel	Alu. Door 22 ga. steel	Alu. Grilles 24 ga. steel	Steel 18 ga. ins.	Steel 18 ga. 20 ga. ins.	Wood Steel 20 ga. 22 & 24 ga. ins.	Aluminium Steel 22 & 24 ga.	Fiber Glass
1/2	157	236	260	319	358	196	245	314	343	392
3/4	206	294	358	451	515	270	319	441	490	549
1	255	358	446	574	613	294	392	490	564	613
1-1/2	353	486	633	-	-	373	466	549	613	-
2	451	613	-	-	-	-	-	-	-	-

## Dimensions



**Clearance:** Side room required is 15" (381 mm)  
With friction clutch add: 1.25" (32 mm)