

Nema 4/12 – Damp Environment / Oil Tight / Dust Tight
Nema 4X – Corrosive Environments

Customer:

Project:

Architect/Engineer:

Contractor:

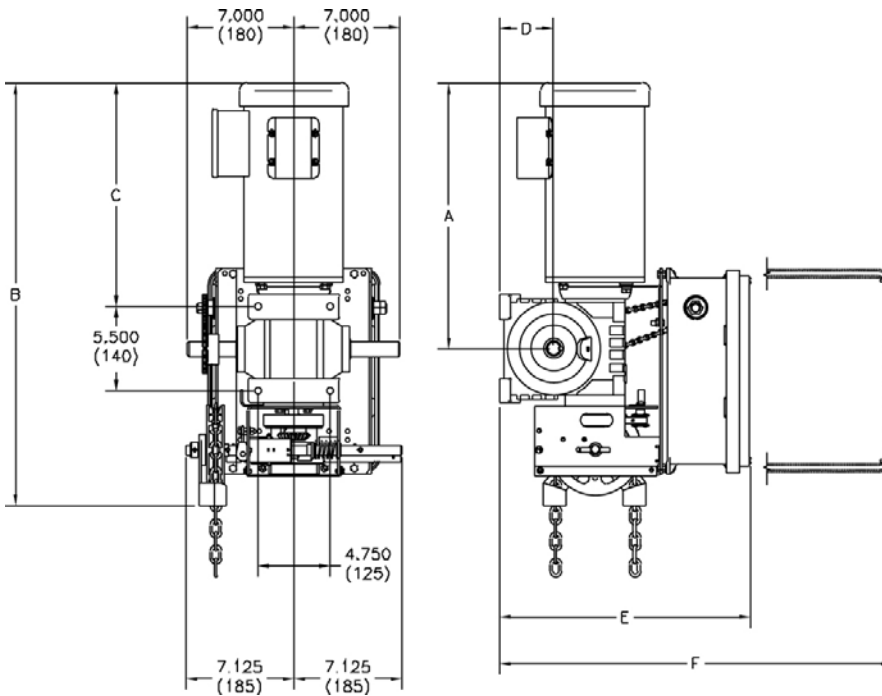
Drawing No.:

Date:

Sheet

of

Shop Drawing



Dimensions	UP TO 1 HP	1.5 TO 2 HP
*A	16.875 (429)	17.625 (450)
*B	27.250 (693)	27.938 (710)
*C	14.125 (359)	14.875 (380)
D	3.000 (80)	3.500 (90)
E	15.500 (394)	16.750 (426)
F	24.875 (632)	25.875 (658)

* Dimensions can vary depending on motor

		Motor Amperage Rating					
		Voltage - Phase					
NEMA 4/12	HP	115 V - 1 Ph	230 V - 1 Ph	208 / 230 V - 3 Ph	460 V - 3 Ph	575 V - 3 Ph	
	1/2	6.6	3.3	2.2	1.1	0.9	
	3/4	11.0	5.5	2.8	1.4	1.1	
	1	13.4	6.7	3.3	1.6	1.1	
	1 1/2	18.0	9.0	4.8	2.4	2.0	
	2	-	-	6.0	2.9	2.3	

		Motor Amperage Rating					
		Voltage - Phase					
NEMA 4X	HP	115 V - 1 Ph	230 V - 1 Ph	208 / 230 V - 3 Ph	460 V - 3 Ph	575 V - 3 Ph	
	1/2	8.8	4.4	2.1	0.8	0.9	
	3/4	11.0	5.5	2.7	1.1	0.9	
	1	12.8	6.4	3.5	1.6	1.3	
	1 1/2	-	9.0	4.6	2.1	2.3	
	2	-	-	6.5	3.1	3.0	

General Guidelines

• Specifications For Ordering

Quantity:	Model Number:			
HP:	Amperage:	Volts:	Phase:	Hertz:
Door Type:	Width:		Height:	Lift:
Hand Chain: (Circle One) Left or Right	Drive Sprocket: (Circle One) Left or Right			
Friction Clutch: (Circle One) Left or Right	Drive Sprocket & Chain: (Circle One) #50 or #60			
Supply	3-Push Button Station(s) in NEMA		Enclosure Per Operator	

Supply Auxiliary and Optional Equipment as specified below: One per operator unless otherwise noted.

• Notes:

1. Refer to model GHW/C Specification Sheet for General Information
2. Refer to Drawing _____ for Wiring Diagram