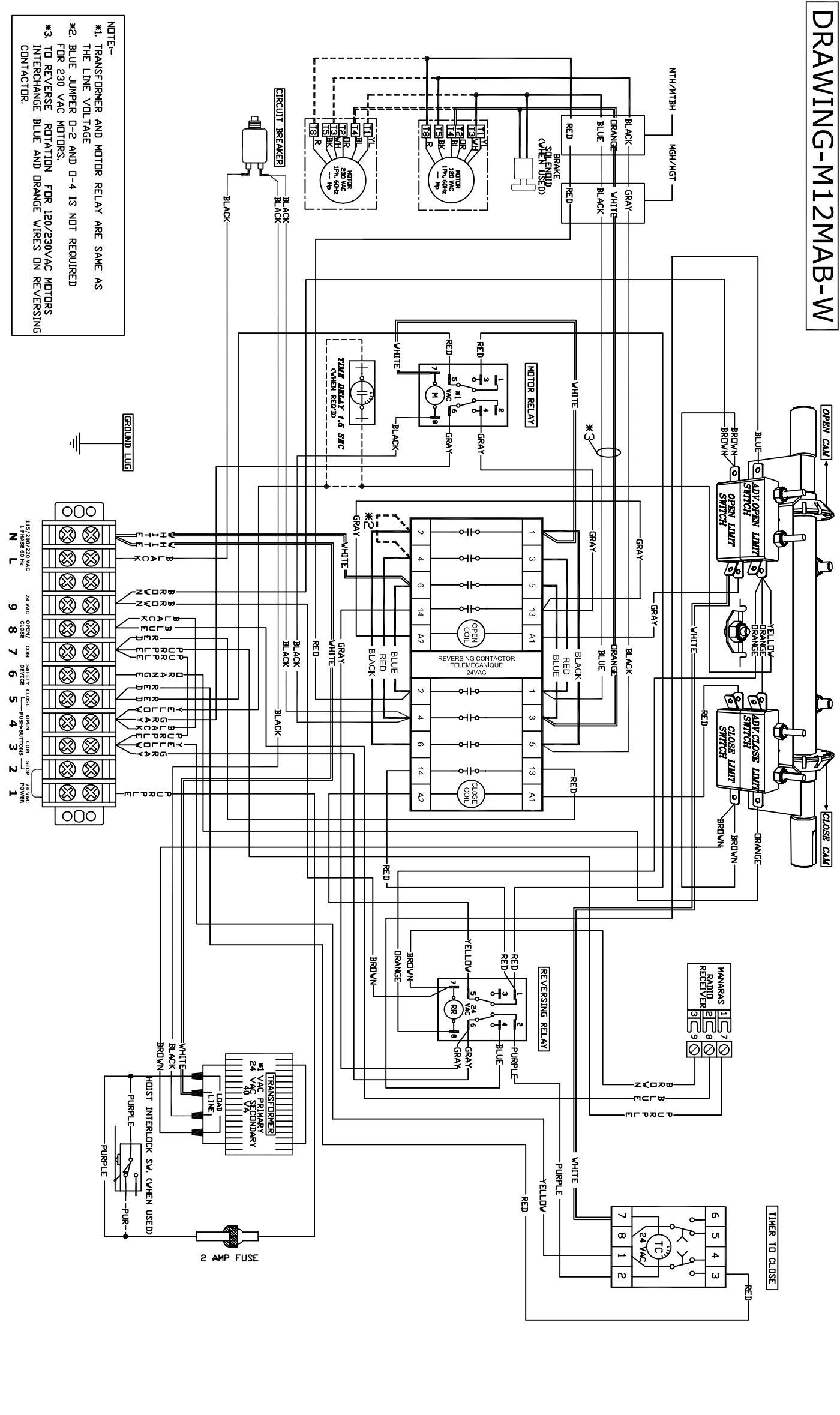


DRAWING-M12MAB-W



NOTE:-
 *1. TRANSFORMER AND MOTOR RELAY ARE SAME AS THE LINE VOLTAGE
 *2. BLUE JUMPER D-2 AND D-4 IS NOT REQUIRED FOR 230 VAC MOTORS.
 *3. TO REVERSE ROTATION FOR 120/230VAC MOTORS INTERCHANGE BLUE AND DRANGE Wires ON REVERSING CONTACTOR.

LINE POWER	24 VAC POWER	EXTERNAL INTERLOCK	SAFETY REVERSE	OPEN DOOR DEVICE	PUSH-BUTTON STATION	TWO PUSH-BUTTON STATION	RADIO CONTROL
L N	1 9	1 2	3 6	7 8	2 3 4 5	2 3 4 5	7 8 9
POWER SUPPLY 115/208/230 VAC 1 Ph, 60 Hz.	24 VAC POWER AVAILABLE 10VA MAX.	FACTORY INSTALLED JUMPER REMOVE IF EXT. INTERLOCK IS USED.	CONTACT FOR SAFETY EDGE/SAFETY DEVICE	CONTACT FOR OPEN DOOR DEVICE.			RADIO RECEIVER

ATTENTION- USE 18AWG OR HIGHER FOR WIRING ALL EXTERNAL CONNECTIONS

NOTE- PLACE A JUMPER BETWEEN TERMINAL 2 AND TERMINAL 3. IF STOP BUTTON IS NOT USED.

ON SITE MODIFICATIONS
 1 CONSTANT PRESSURE CLOSE

1. REMOVE THE RED WIRE FROM TERMINAL # 7 AND PLACE IT ON TERMINAL # 5

2 CONSTANT PRESSURE OPEN

1. REMOVE THE RED WIRE FROM TERMINAL # 3 AND PLACE IT ON TERMINAL # 4

3 WIRING FOR INSTANT STOP (ON SAFETY EDGE OR DEVICE)

1. REMOVE THE YELLOW WIRE FROM ADV. OPEN LIMIT SWITCH, AND CAP IT.
 2. REMOVE THE BLUE WIRE FROM PIN # 4 OR REVERSING RELAY(RR) AND CAP IT.

4 ADDING A TIME DELAY ON REVERSE C/W TIMER TO CLOSE

1. REMOVE THE YELLOW WIRE FROM ADV. OPEN L.S. DRANGE WIRE TO ONE END OF TIME-DELAY. WIRE TO OTHER END OF THE TIME-DELAY.
 2. FROM OTHER END OF THE TIME-DELAY CONNECT BACK TO ADV. OPEN LIMIT SWITCH.
 3. REMOVE THE BLACK JUMPER FROM TERMINAL #4 AND #8.
 4. MAKE A NEW WIRE FROM TERMINAL #8 AND CONNECT TO PIN #8 OF RR RELAY. T.D. MODULE

5 CONSTANT PRESSURE OPEN & CLOSE- D1
 PERFORM THE MODIFICATION EXPLAINED IN THE NOTES, 1 2 AND 3

6 ANY OTHER OPTIONS
 FOR ANY OTHER OPTIONS LIKE, TIMER TO CLOSE, MID-STOP WIRING, LONG DISTANCE LOGIC SEQUENCE, OR ANY OTHER SPECIAL LOGIC SEQUENCE, PLEASE CONSULT MANARAS/OPERA.

WIRING DIAGRAM FOR MGH/MGT/MTB/MTBH
 120/230 VAC, 1 PHASE MOTORS

TITLE	M12MAB-W	DES	BP	REV	E	DATE	12. FEB. 2007
PROJECT							
CLIENT							
ENGINEER							
DISTRIBUTOR							
MANARAS-OPERA 136 ONEIDA DRIVE POINTE-CLAIRE, QC H9R 1A8 TEL: 1-800-361-2260 FAX: 1-888-626-0606							

