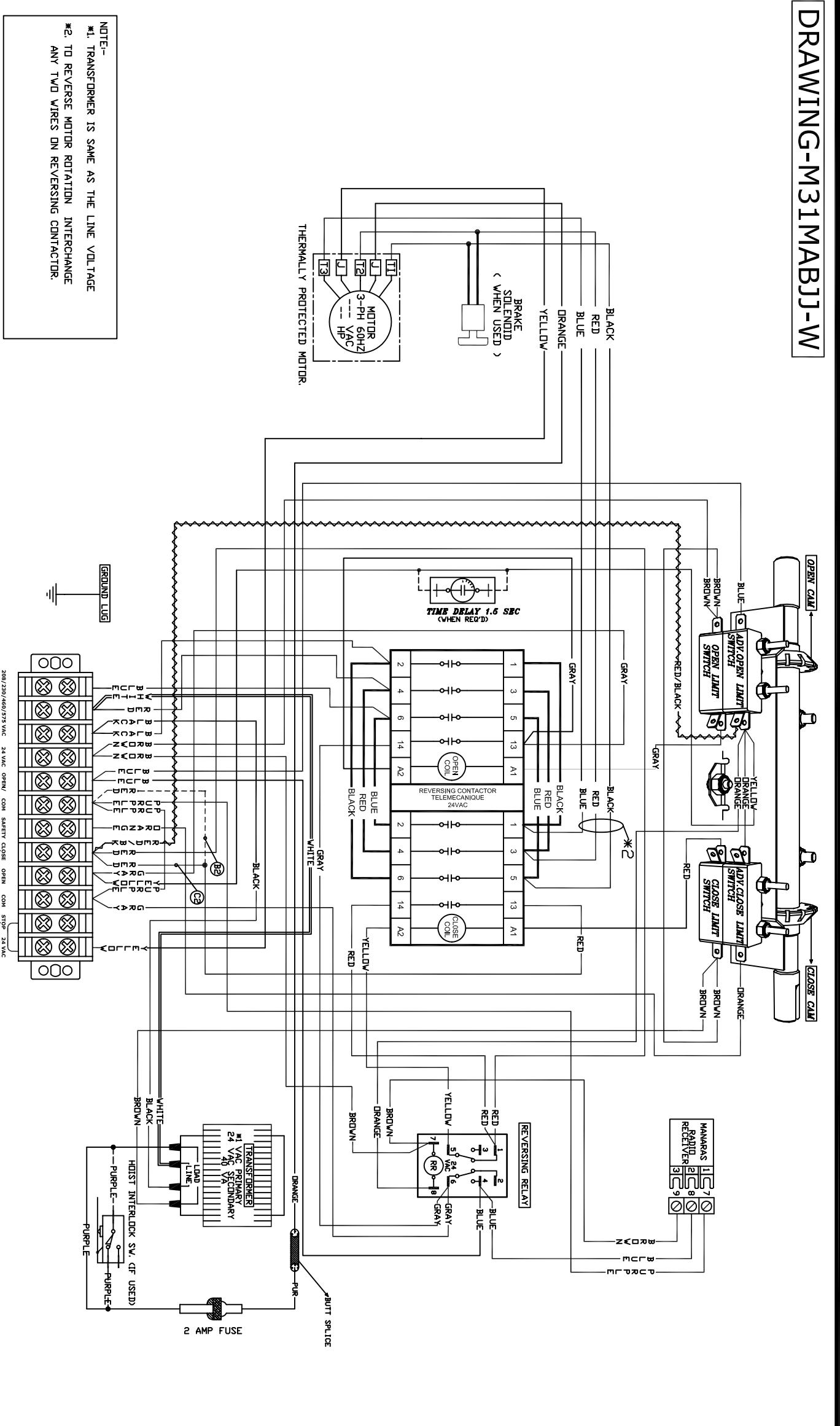


# DRAWING-M31MABJJ-W



NOTE:-  
 #1. TRANSFORMER IS SAME AS THE LINE VOLTAGE  
 #2. TO REVERSE MOTOR ROTATION INTERCHANGE ANY TWO WIRES ON REVERSING CONTACTOR.

<b>LINE POWER</b>	<b>24 VAC POWER</b>	<b>EXTERNAL INTERLOCK</b>	<b>SAFETY REVERSE</b>	<b>OPEN/CLOSE COMMAND</b>	<b>PUSH-BUTTON STATION</b>	<b>TWO PUSH-BUTTON STATION</b>	<b>RADIO CONTROL</b>
L1 L2 L3 POWER SUPPLY 208/230/460/575 VAC 3 Ph, 60 Hz.	1 9 24 VAC POWER AVAILABLE 10VA MAX.	1 2 FACTORY INSTALLED JUMPER REMOVE IF EXT. INTERLOCK IS USED.	3 6 CONTACT FOR SAFETY EDGE/SAFETY DEVICE	7 8 CONTACT FOR OPEN/CLOSE DEVICE.	2 3 4 5 STOP CLOSE OPEN	2 3 4 5 STOP CLOSE OPEN	7 8 9 POWER RC CONTACT GROUND RADIO RECEIVER

ATTENTION- USE 18AWG OR HIGHER FOR WIRING ALL EXTERNAL CONNECTIONS

NOTE- PLACE A JUMPER BETWEEN TERMINAL 2 AND TERMINAL 3. IF STOP BUTTON IS NOT USED.

RADIO RECEIVER

- 1 **ON SITE MODIFICATIONS**
  - NOTE-(C2)/(B2)  
C2 ⇔ B2
  - 1A REMOVE THE RED WIRE WITH RAPID CONNECTOR FROM TERMINAL #5, AND TRANSFER IT TO TERMINAL #7.  
B2 ⇔ C2
  - 1B REMOVE THE RED WIRE WITH RAPID CONNECTOR FROM TERMINAL #7, AND TRANSFER IT TO TERMINAL #5.
- WARNING:**  
 MOTORIZED DOORS CAN CAUSE SERIOUS INJURIES OR DEATH. MANARAS STRONGLY RECOMMENDS THE USE OF ENTRAPMENT PROTECTION SYSTEMS, ESPECIALLY IN THE CASES OF MOMENTARY CONTACT TO CLOSE AS IN B2 WIRING OR TIMER TO CLOSE.
- 2 **CONSTANT PRESSURE OPEN**
  1. REMOVE THE GRAY WIRE FROM TERMINAL #3 AND PLACE IT ON TERMINAL #4
- 3 **WIRING FOR INSTANT STOP (ON SAFETY EDGE OR DEVICE)**
  1. REMOVE THE YELLOW WIRE FROM ADV. OPEN LIMIT SWITCH, AND CAP IT.
  2. REMOVE THE BLUE WIRE FROM PIN #4 OR REVERSING RELAY(RR) AND CAP IT.
- 4 **ADDING A TIME DELAY ON REVERSE**
  1. REMOVE THE YELLOW WIRE FROM ADV. OPEN LIMIT SWITCH, CONNECT THIS WIRE TO ONE END OF TIME-DELAY.
  2. FROM OTHER END OF THE TIME-DELAY, CONNECT BACK TO ADV. OPEN LIMIT SWITCH.
- 5 **CONSTANT PRESSURE OPEN & CLOSE - DI**  
 PERFORM THE MODIFICATION EXPLAINED IN THE NOTES, 1B 2 AND 3
- 6 **ANY OTHER OPTIONS**  
 FOR ANY OTHER OPTIONS LIKE, TIMER TO CLOSE, MID-STOP WIRING, LONG DISTANCE MODULE, OR ANY OTHER SPECIAL LOGIC SEQUENCE, PLEASE CONSULT MANARAS/OPERA.

WIRING DIAGRAM FOR MGH/MGT/MTH/MTBH  
 208/460/575 VAC, 3 PHASE MOTORS

TITLE	DES	REV	DATE
M31MABJJ-W	BP	E	12. FEB. 2007
PROJECT	CLIENT	ENGINEER	DISTRIBUTOR
MANARAS-OPERA 136 ONEIDA DRIVE POINTE-CLAIRE, QC H9R 1A8 TEL: 1-800-361-2260 FAX: 1-888-626-0606			

