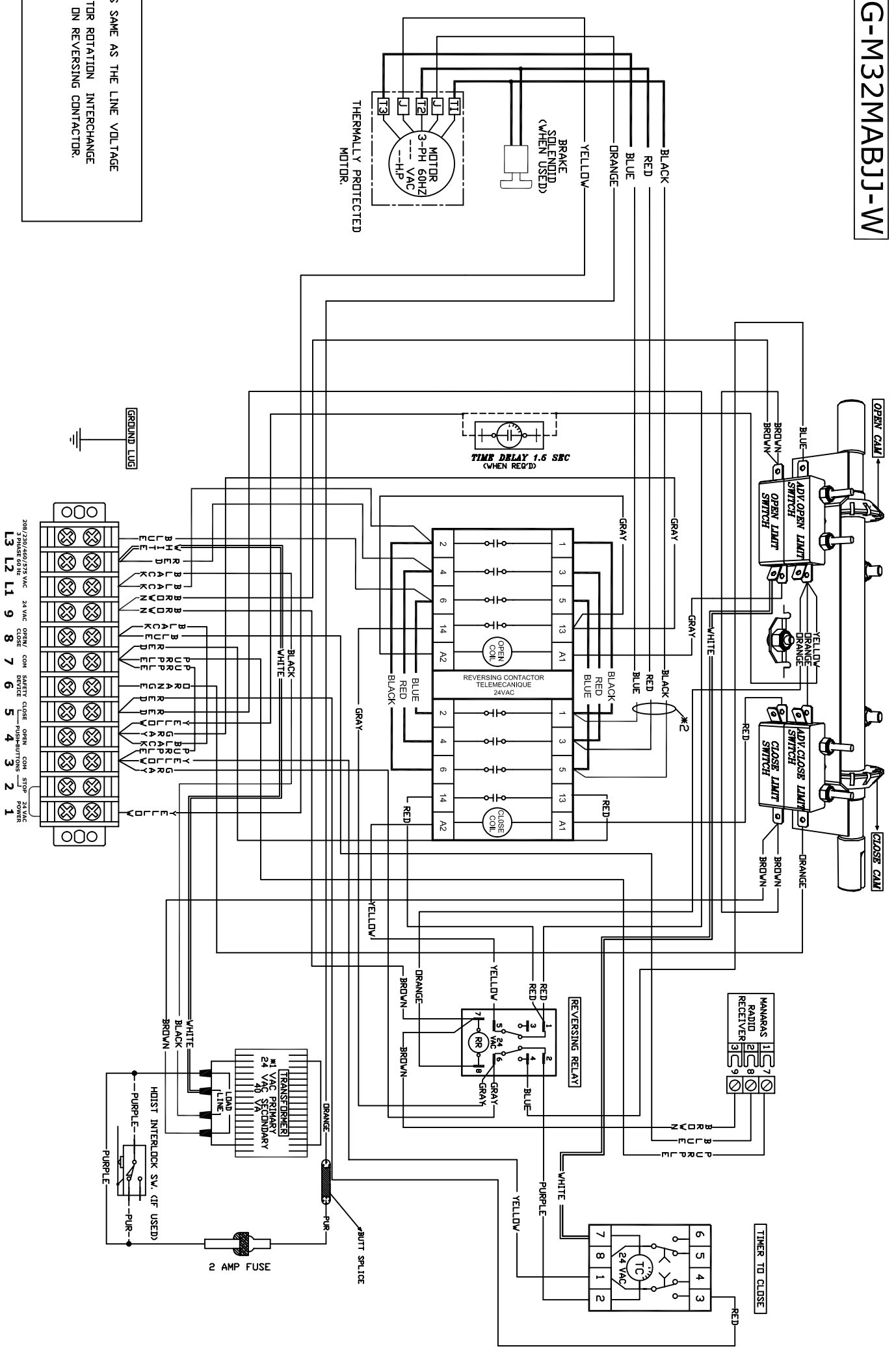
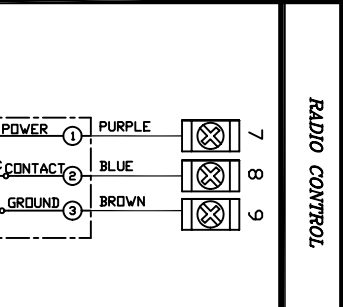
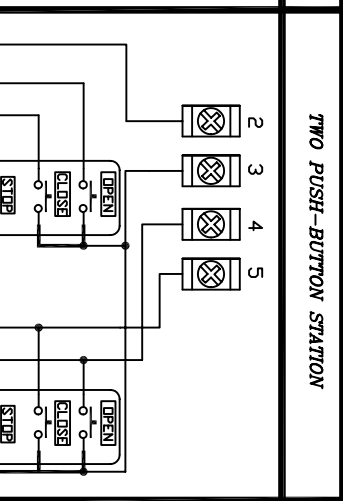
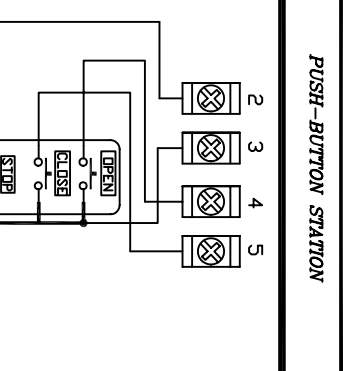


DRAWING-M32MABJJ-W



NOTE--
 #1. TRANSFORMER IS SAME AS THE LINE VOLTAGE
 #2. TO REVERSE MOTOR ROTATION INTERCHANGE ANY TWO WIRES ON REVERSING CONTACTOR.

LINE POWER	24 VAC POWER	EXTERNAL INTERLOCK	SAFETY REVERSE	OPEN DOOR DEVICE
L1 L2 L3	1 9	1 2	3 6	7 8
POWER SUPPLY 208/230/460/575 VAC 3 Ph, 60 Hz	24 VAC POWER AVAILABLE 10VA MAX.	FACTORY INSTALLED JUMPER REMOVE IF EXT. INTERLOCK IS USED.	CONTACT FOR SAFETY EDGE/SAFETY DEVICE	CONTACT FOR OPEN DOOR DEVICE.



ATTENTION- USE 18AWG OR HIGHER FOR WIRING ALL EXTERNAL CONNECTIONS

- 1 ON SITE MODIFICATIONS
CONSTANT PRESSURE CLOSE
- 2 CONSTANT PRESSURE OPEN
- 3 WIRING FOR INSTANT STOP
(ON SAFETY EDGE OR DEVICE)
1. REMOVE THE YELLOW WIRE FROM ADV. OPEN LIMIT SWITCH, AND CAP IT.
2. REMOVE THE BLUE WIRE FROM PIN # 4 OR REVERSING RELAY(R) AND CAP IT.
- 4 ADDING A TIME DELAY ON REVERSE C/W TIMER TO CLOSE
1. REMOVE THE YELLOW WIRE FROM ADV. OPEN LIMIT SWITCH, CONNECT WIRE TO ONE END OF TIME-DELAY.
2. FROM OTHER END OF THE TIME-DELAY, CONNECT BACK TO ADV. OPEN LIMIT SWITCH.
3. REMOVE THE BLACK JUMPER FROM TERMINAL #8 AND #9.
4. MAKE A NEW WIRE FROM TERMINAL #8 AND CONNECT TO PIN #8 OF RR RELAY. T.D. MODULE
- 5 CONSTANT PRESSURE OPEN & CLOSE- DI
PERFORM THE MODIFICATION EXPLAINED IN THE NOTES, 1 2 AND 3
- 6 ANY OTHER OPTIONS
FOR ANY OTHER OPTIONS LIKE, TIMER TO CLOSE, MID-STOP WIRING, LONG DISTANCE MODULE, OR ANY OTHER SPECIAL LOGIC SEQUENCE PLEASE CONSULT MANARAS/OPERA

WIRING DIAGRAM FOR, MGH/MGT/MTB/MTH
208/460/575 VAC, 3 PHASE MOTORS

TITLE	M32MABJJ-W	DWG. NO.	BP	REV.	E	DATE	12. FEB. 2007
PROJECT							
CLIENT							
ENGINEER							
DISTRIBUTOR							

MANARAS-OPERA
 136 ONEIDA DRIVE
 POINTE-CLAIRE, QC H9R 1A8
 TEL.: 1-800-361-2260
 FAX: 1-888-626-0606