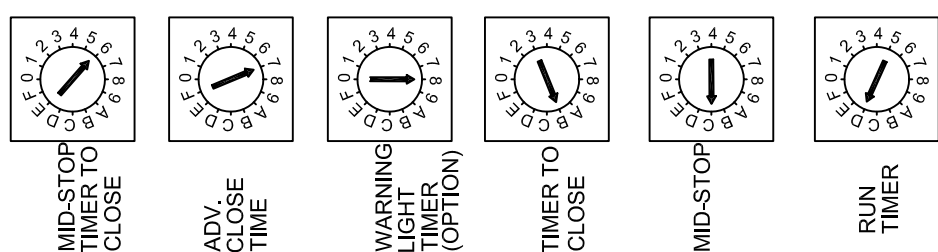
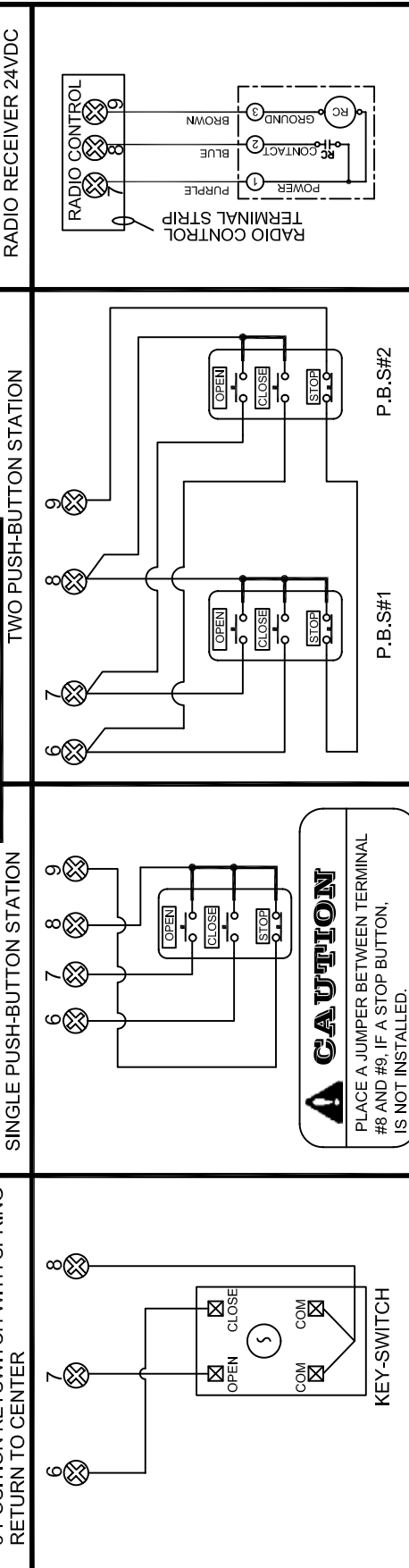


PROGRAM SETTINGS

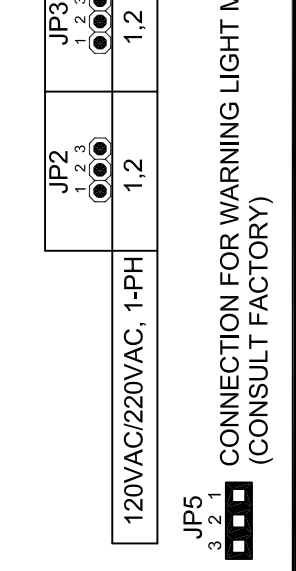


NOTE:-
FOR ROTARY SWITCH SETTINGS AND PROGRAMMING PROCEDURES REFER TO INSTRUCTION MANUAL.

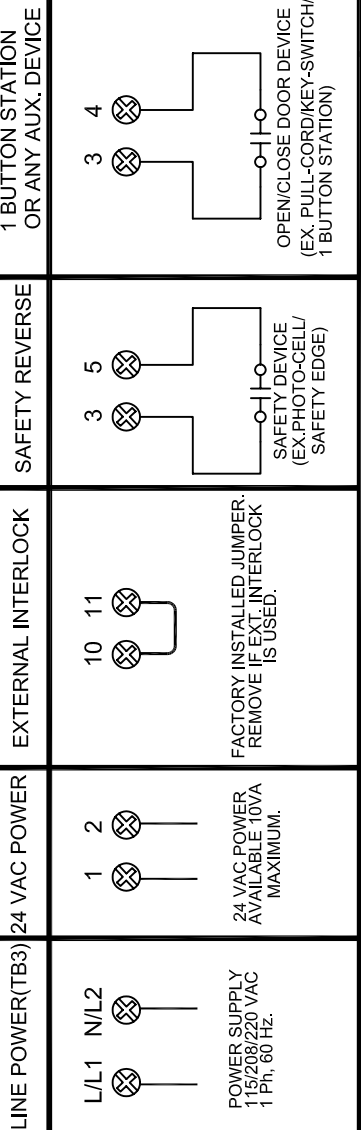
EXTERNAL WIRING



ON BOARD JUMPER SETTINGS



WARNING:
MOTORISED DOORS CAN CAUSE SERIOUS INJURIES OR DEATH. MANARAS STRONGLY RECOMMENDS THE USE OF ENTRAPMENT PROTECTION SYSTEMS ESPECIALLY IN THE CASE OF MOMENTARY CONTACT TO CLOSE AS IN B2 WIRING OR TIMER TO CLOSE.



ATTENTION- USE 18AWG OR HIGHER FOR WIRING ALL EXTERNAL CONNECTIONS

TITLE: WIRING DIAGRAM- 115/208/220 VAC 1-PHASE

DRAWN BY:	BP	DATE:	14.MAR.2005	CAD FILE:	MECB11-40-SD	REV:	A	DATE:	24.AUG.2005
-----------	----	-------	-------------	-----------	--------------	------	---	-------	-------------