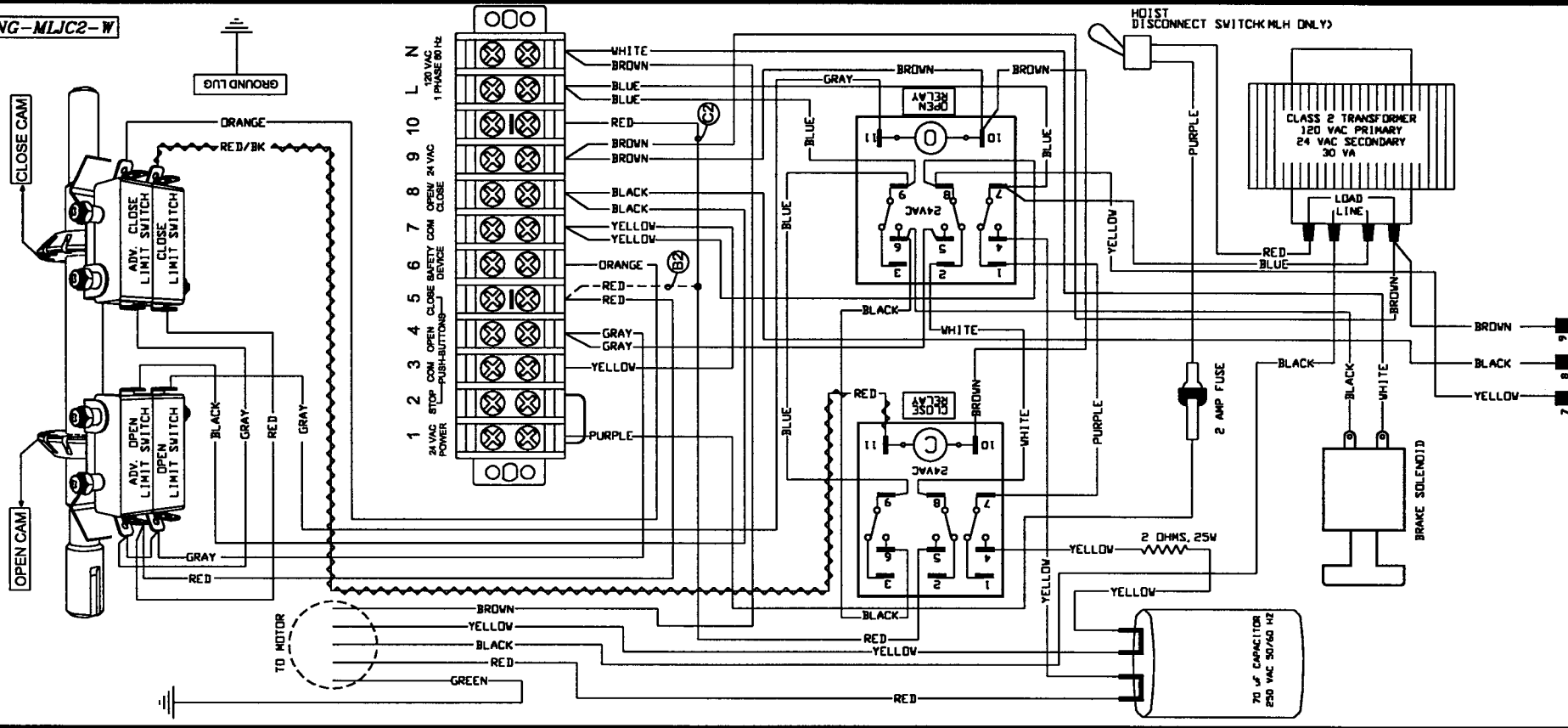
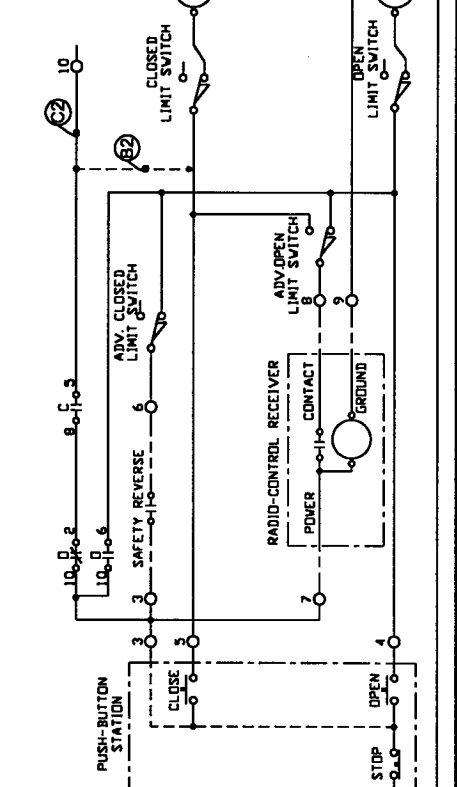


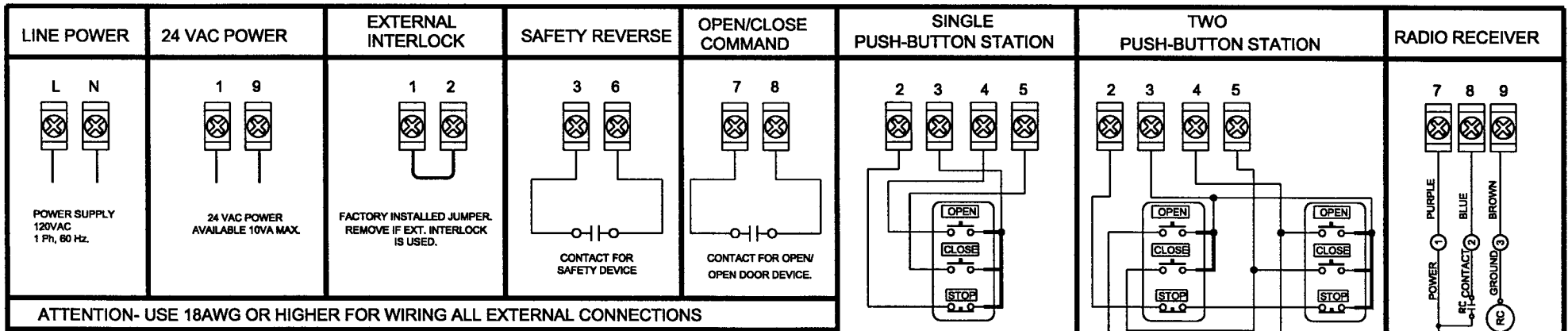
DRAWING-MLJC2-W



WIRING SCHEMATIC



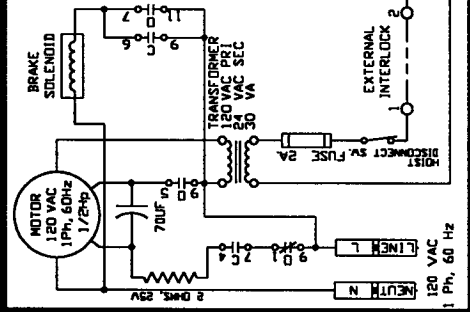
EXTERNAL WIRING



ATTENTION- USE 18AWG OR HIGHER FOR WIRING ALL EXTERNAL CONNECTIONS

NOTE- C2 / B2
 C2 ⇨ B2 REMOVE THE RED WIRE WITH RAPID CONNECTOR FROM TERMINAL#10 AND TRANSFER IT TO TERMINAL # 5.
 B2 ⇨ C2 REMOVE THE RED WIRE WITH RAPID CONNECTOR FROM TERMINAL#5 AND TRANSFER IT TO TERMINAL # 10.

WARNING: **MOTORIZED DOORS CAN CAUSE SERIOUS INJURIES OR DEATH. MANARAS STRONGLY RECOMMENDS THE USE OF ENTRAPMENT PROTECTION SYSTEMS, ESPECIALLY IN THE CASE OF MOMENTARY CONTACT TO CLOSE AS IN B2 WIRING.**



PROJECT				
TITLE WIRING DIAGRAM FOR LIGHT DUTY OPERATOR MODEL-MLJ/MLH				
CLIENT				
ENGINEER				
DISTRIBUTOR				
MANUFACTURER MANARAS AUTO DOORS				
DATE	DESIGNER	AUTOCAD FILE	DRAWING NO.	REV
27. AUG. 2002	BP	DL MLJRES-V	MLJRES	A