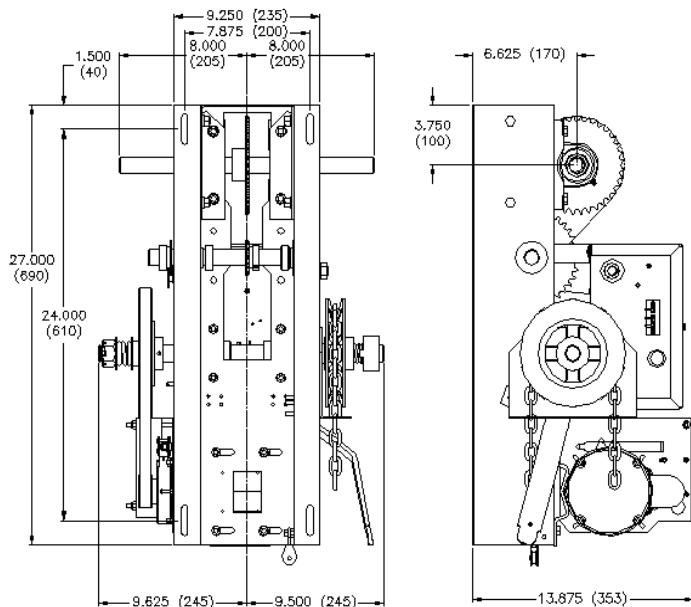


Customer:			
Project:			
Architect/Engineer:			
Contractor:			
Drawing No.:	Date:	Sheet	of

Shop Drawing



Motor Amperage Rating					
HP	Voltage - Phase				
	115 V - 1 Ph	230 V - 1 Ph	208 / 230 V - 3 Ph	460 V - 3 Ph	575 V - 3 Ph
1/2	8.0	4.0	2.1	1.0	0.8
3/4	11.2	5.6	3.2	1.5	1.2
1	13.6	6.8	4.4	2.1	1.6

• Specifications For Ordering

Quantity:		Model Number:			
HP:	Amperage:	Volts:	Phase:	Hertz:	
Motor Circuit Type: (Circle One) Contactor or ECB					
Door Type:		Width:	Height:	Lift:	
Hand Chain: (Circle One) Left or Right			Drive Sprocket: (Circle One) Left or Right		
Supply		3-Push Button Station(s) in NEMA		Enclosure Per Operator	

Supply Auxiliary and Optional Equipment as specified below: One per operator unless otherwise noted.

• Notes:

1. Refer to model MSJ Specification Sheet for General Information
2. Refer to Drawing _____ for Wiring Diagram