

An apartment garage door operator for industrial standard lift sectional doors with high cycling daily frequency requirements. It incorporates a solenoid brake.

Standard Features

• Construction

Continuous duty industrial motor (60Hz)
4L/A V-belt, chain and sprocket reduction
Solenoid brake
Heavy duty 1" output shaft
Pillow block bearings on input shaft
Ball bearings at all critical points
#41 roller chain drive *
Door speed: 9"/second (reduced for quieter operation and longer lifetime) *
Dual, heavy gauge, pre-drilled galvanized tracks
Green baked-on long lasting enable finish
Rotary type limit switches
Motor removable without affecting limits
Approximate shipping weight:
73 lbs – 33 kg + op. tracks

2 Year Warranty

• Safety Features

Quick release disconnect arm for manual operation
Adjustable friction clutch
Full overload protection



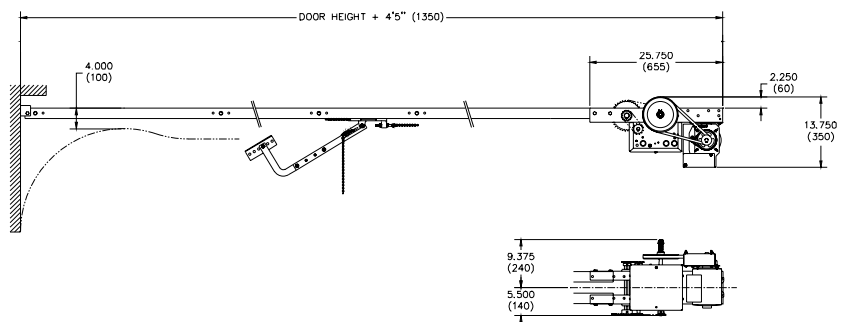
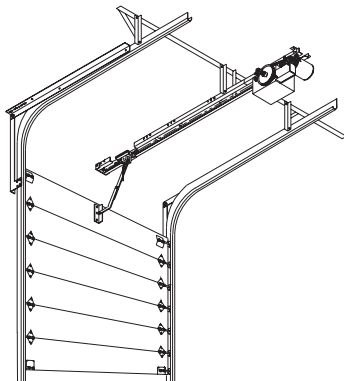
• Control Circuit

Electronic Control Board with 5Vdc logic: Options included: B2, E2 wiring, timer to close, mid-stop, maximum run timer, programmable advance close system, test buttons, reverse wiring detection, delay on reverse and door lock sensor.

* unique to APE and APT models

Dimensions

Typical Installation



• Ordering:

To place your order please select first the operator code according to the horsepower, voltage and phase and also the track hardware code according to the door height. Please advise if any options are required.

• Operator Range

| | | Code | Volt | Ph | Amp. |
|------|--------|----------------|------|----|------|
| APE0 | 1/2 HP | MTBH-6112-APE0 | 115 | 1 | 8.0 |
| | | MTBH-6212-APE0 | 230 | 1 | 4.0 |
| | | MTBH-6232-APE0 | 208 | 3 | 2.1 |
| | | MTBH-6432-APE0 | 460 | 3 | 1.0 |
| | | MTBH-6532-APE0 | 575 | 3 | 0.8 |
| | 3/4 HP | MTBH-6113-APE0 | 115 | 1 | 11.2 |
| | | MTBH-6213-APE0 | 230 | 1 | 5.6 |
| | | MTBH-6233-APE0 | 208 | 3 | 3.2 |
| | | MTBH-6433-APE0 | 460 | 3 | 1.5 |
| | | MTBH-6533-APE0 | 575 | 3 | 1.2 |
| | 1 HP | MTBH-6114-APE0 | 115 | 1 | 13.6 |
| | | MTBH-6214-APE0 | 230 | 1 | 6.8 |
| | | MTBH-6234-APE0 | 208 | 3 | 4.4 |
| | | MTBH-6434-APE0 | 460 | 3 | 2.1 |
| | | MTBH-6534-APE0 | 575 | 3 | 1.6 |

• Track Hardware

For more details about the track hardware, please consult inside sales.

| | Code | Door height |
|-----|------|-------------|
| #41 | T107 | Up to 7' |
| | T108 | Up to 8' |
| | T110 | Up to 10' |
| | T112 | Up to 12' |
| | T114 | Up to 14' |
| | T116 | Up to 16' |
| | T118 | Up to 18' |
| | T120 | Up to 20' |

• Apartment version with instant reverse motor

| | | Code | Volt | Ph | Amp. |
|------|--------|----------------|------|----|------|
| APE1 | 1/2 HP | MTBH-6112-APE1 | 115 | 1 | 8.0 |
| | | MTBH-6212-APE1 | 230 | 1 | 4.0 |

For 50Hz operators, please consult inside sales.

Options

• Mechanical Modifications

| Modification No | Options |
|-----------------|---------------------------------------|
| MOD055 | Double 4L V belt |
| MOD072 | Pillow block bearings on output shaft |
| MOD073 | Very heavy duty front idler |

To help extend the life of the drive system, pillow block bearings and a very heavy duty front idler (with ball bearings) can be installed.

• Electrical Modifications

| Modification No | Options |
|-----------------|--------------------------------|
| MOD004 | Fail safe safety edge circuit |
| MOD008 | Double limit switch (per pole) |
| MOD016* | Wiring for traffic lights |

* **Note:** Only available on 115V 1Ph operators.