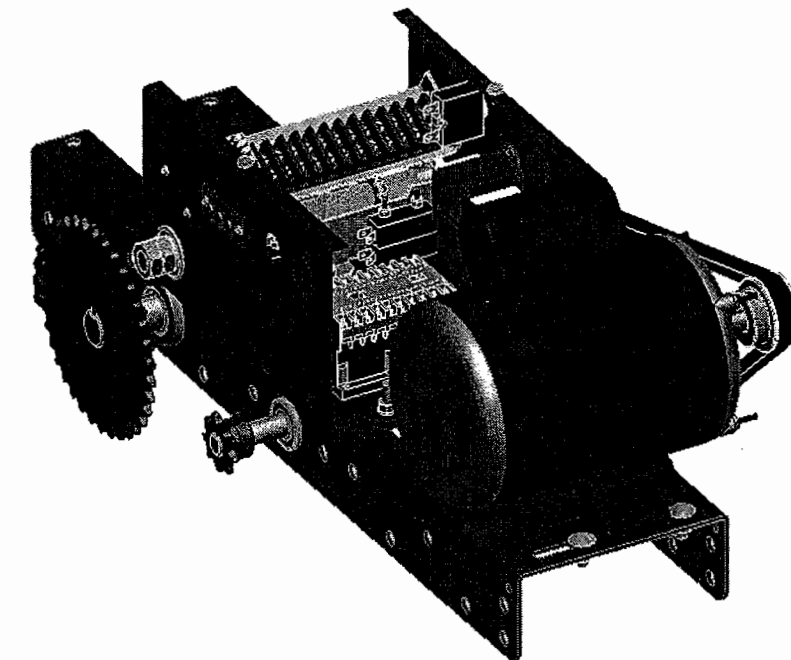
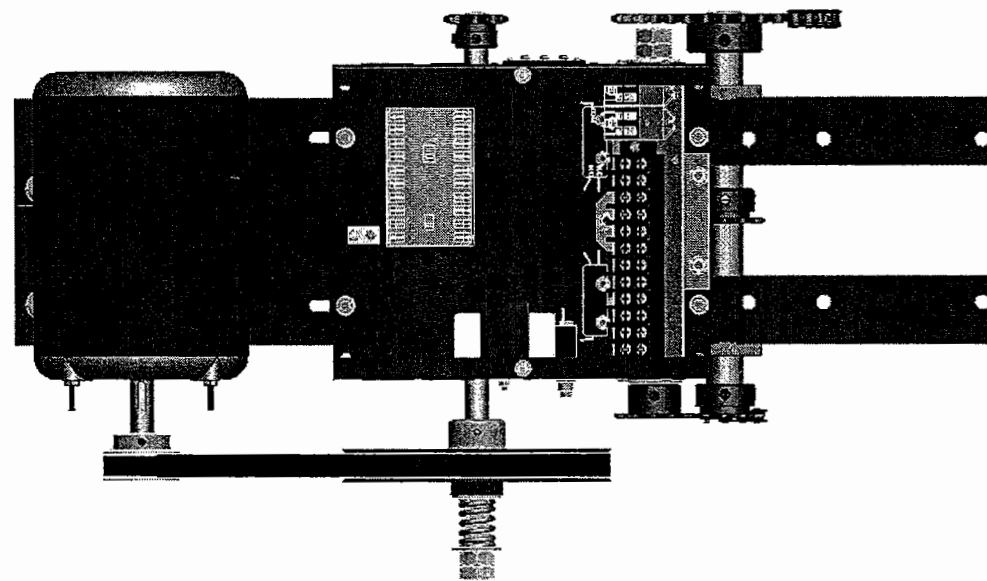
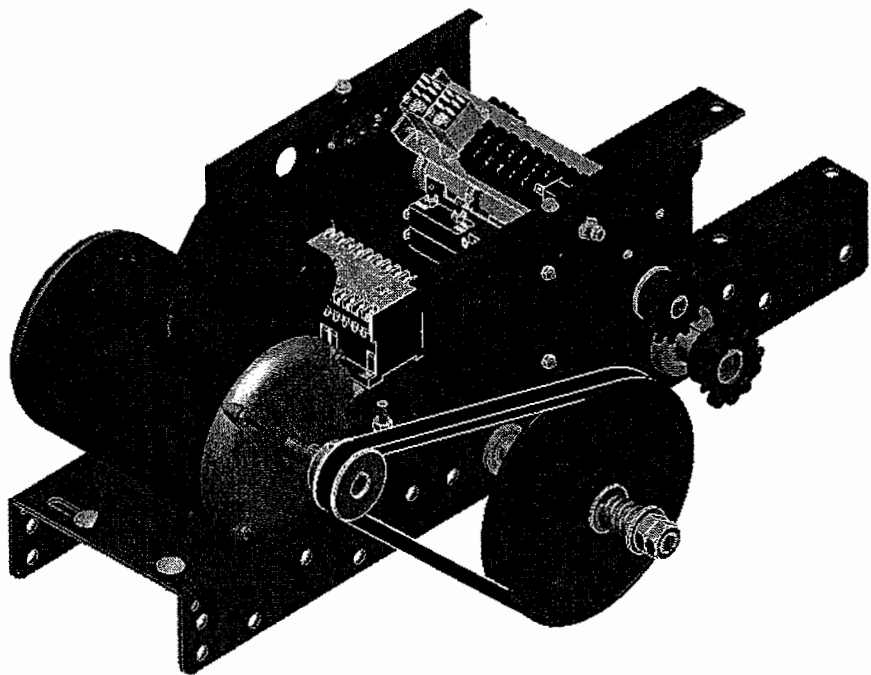


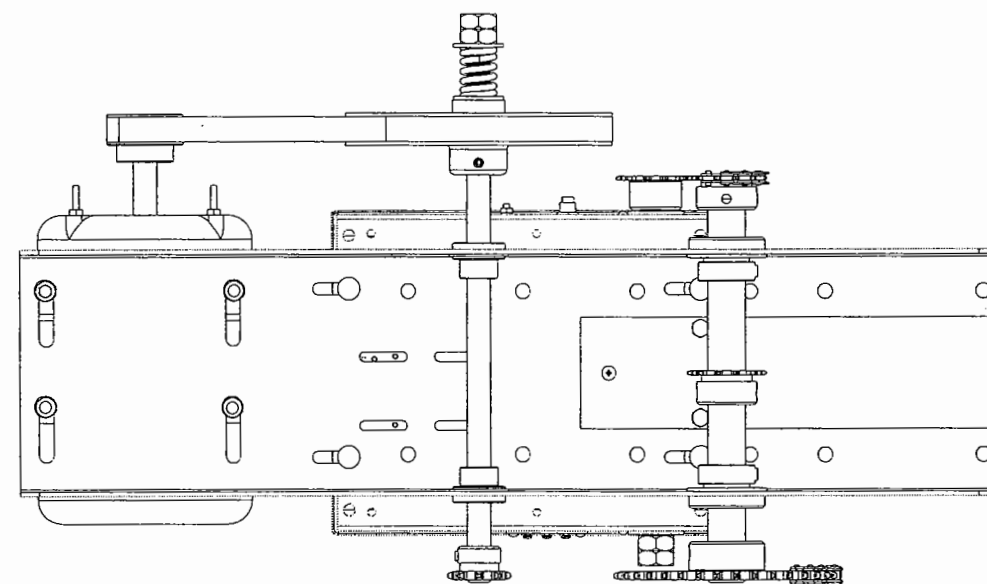
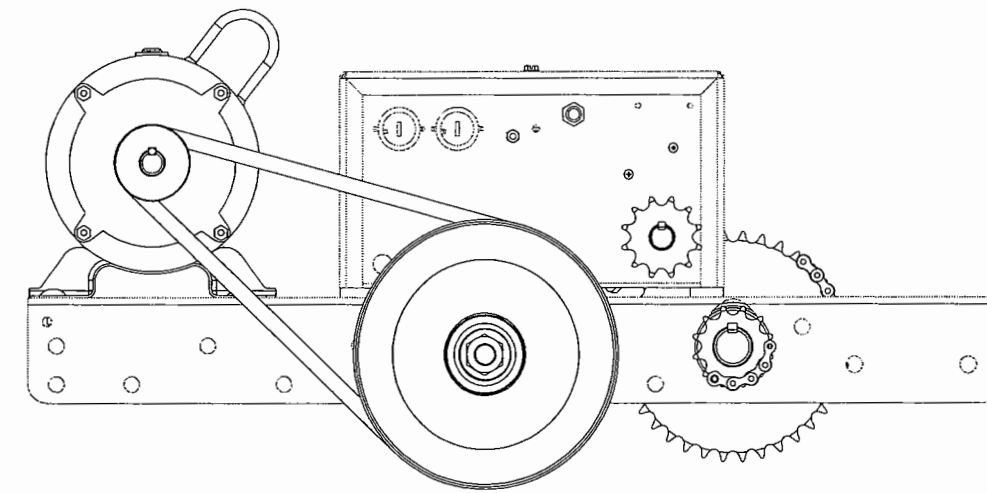
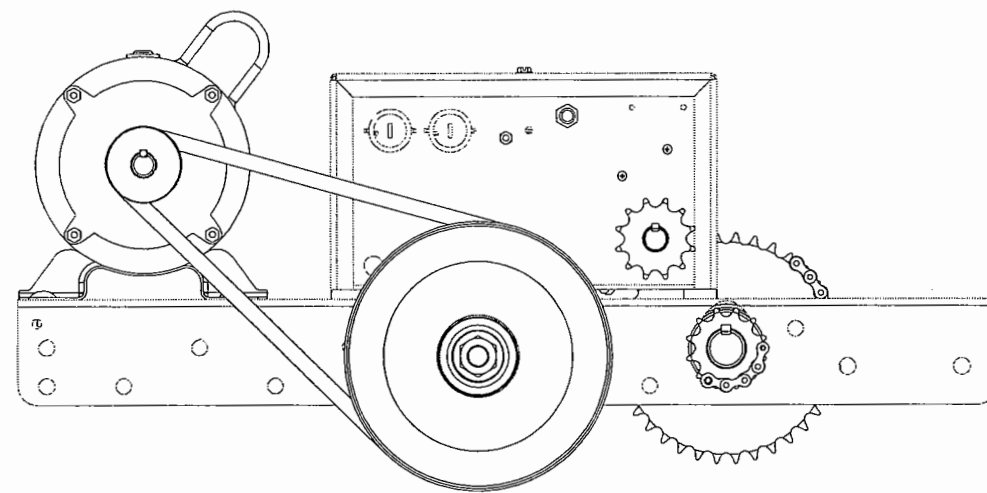
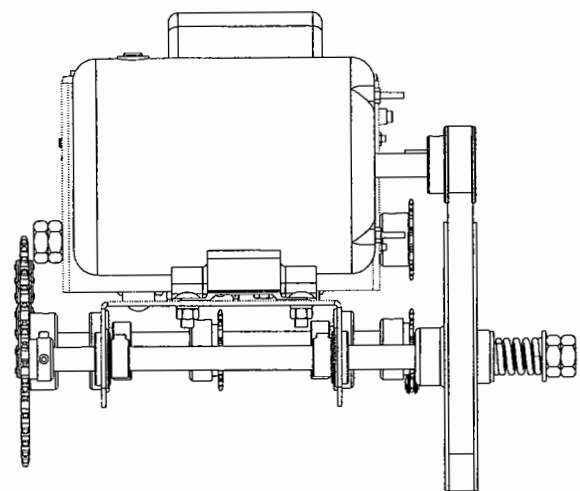
No	Qty	DESCRIPTION	# MANARAS	REV
1	4	6-32 HEX NUT ZP	NUT002	
2	4	6-32 HEX NYLON LOCK NUT ZP	NUT018	
3	4	6-32 X 2 MACHINE SCREW	SCREW045	
4	11	6-32 X 3/8 TYPE F S-TAP SCREW	SCREW094	
5	6	6-32 X 5/8 TYPE F S-TAP SCREW	SCREW095	
6	2	8-32 HEX NUT ZP	NUT003	
7	2	8-32 X 3/8 MACHINE SCREW	SCREW049	
8	2	10-24 X 3/8 TYPE F S-TAP SCREW	SCREW022	
9	1	10-32 HEX NYLON LOCK NUT ZP	NUT019	
10	1	10-32 X 1/2 MACHINE SCREW	SCREW054	
11	1	H41-1R50P (INCL. IC/L)	CHAIN020	
12	1	H410-1R26P (INCL. IC/L)	CHAIN061	
13	4	1/4-20 HEX NUT ZP	NUT006	
14	2	1/4-20 HEX NYLON LOCK NUT ZP	NUT020	
15	2	1/4-20 X 1-1/2 HEX BOLT	BOLT008	
16	4	1/4-20 X 1-1/4 RND HD SO NECK BOLT	BOLT083	
17	4	1/4-20 X 5/16 SET SCREW	SCREW001	
18	2	410B12-1 N1/4-2S5/16-PH1/4-CR	SPR410B12X1	1
19	1	410B12-5/8-K0-2S1/4	SPR410B12X5/8	
20	1	41B36-1 K1/4-2S5/16	SPR41B36X1	4
21	1	41B9-5/8 K3/16-2S1/4-20-CR	SPR41B9X5/8	4
22	4	5/16-18 HEX NUT ZP	NUT007	
23	4	5/16-18 X 3/4 RND HD SO NECK BOLT	BOLT093	
24	10	5/16-18 X 5/16 SET SCREW	SCREW003	
25	4	5/8-24 HEX JAM NUT ZP	NUT015	
26	2	CAM GUIDE PLATE SPRING C260047	SPRING001	
27	1	CL. PAD 5/8x4x.125"	CLUTCHPAD005	3
28	1	CLUTCH SPRING 5/8	SPRING009	
29	1	CLUTCHPLATE 5/8 (0.625) SPECIAL	CLUTCHPLATE004	3
30	2	COLLAR 1"	COLLAR007	
31	2	COLLAR 5/8"	COLLAR004	
32	1	DPDT 120V RELAY	RELAY026	
33	1	DPDT 24V RELAY	RELAY024	
34	2	FLANGE BEARING 1" C16-3F*5	BEARING007	
35	2	FLANGE BEARING 5/8 C10-22F*3	BEARING005	
36	2	FLANGED BEARING 5/8	BEARING006	
37	1	GROUND LUG TA616-UL	CONNECTOR039	
38	4	HELICAL SPRING LOCK WASHER 1/4 ZP	WASHER026	
39	4	HELICAL SPRING LOCK WASHER 5/16 ZP	WASHER028	
40	4	HELICAL SPRING LOCK WASHER NO 6 ZP	WASHER023	
41	2	HELICAL SPRING LOCK WASHER NO 8 ZP	WASHER024	
42	1	KEY 1/4 X 1	KW021	5
43	1	KEY 3/16 X 1-3/4 ROUNDED ENDS	KW009	5
44	1	KEY 3/16 X 3/4	KW002	5
45	2	LIMIT CAM 5/8-24UNEF	CAM004	
46	1	LIMIT SWITCH LEVER	LEVER066	11
47	1	MDJ, MGT, MSJ, MTH, MTBH DRIVE	SHAFT048	5
48	1	MOTOR	MOTOR	
49	1	MOTOR PULLEY 2.0 X 5/8 5L STL	PULLEY014	1
50	1	MTBH INPUT SHAFT 5/8-24X14-3/4	SHAFT080	
51	1	MTH - MTBH FRAME	FRAME014	9
52	1	MTH/MTBH CAMPLATE N-1	CAMPLATE012	4
53	1	PIN SLOTTED SPRING 1/4 X 1.5	PIN010	
54	1	PIN SLOTTED SPRING 3/16 X 1.5	PIN007	
55	1	PULLEY 7" X 5/8" 5L/B	PULLEY020	5
56	1	RADIO CONTROL TERM STRIP	TSTRIP005	
57	1	RESET	RESET	
58	1	SHAFT 24UNEF LG. 10.085"	SHAFT105	2
59	1	STANDARD CONTROL BOX	CBOX009	19
60	1	STANDARD CONTROL BOX COVER	COVER009	3
61	1	STD CBOX TERMINAL BRACKET	BRACKET037	7
62	4	STD SINGLE LIMIT SWITCH	LIMIT015	
63	1	TELEM. REVERS. CONT. 24V	CONTACTOR044	
64	1	TERMINAL STRIP 12 POSITIONS	TSTRIP001	
65	1	TRANSFO 120/240-24 40VA	TRANSF143	
66	2	TYPE A PLAIN WASHER 5/8 N ZP	WASHER014	
67	1	TYPE B, OUTSIDE LENGTH 35	VBELTS350	
68	4	WASHER 1/4 (0.250X0.875X0.250)	WASHER052	
69	4	WASHER 5/32 EPDM (5/32X7/8X1/32)	WASHER060	

PART DESCRIPTION		MTH		
PART NUMBER	MTH	MANARAS-OPERA 136 ONEIDA DRIVE POINTE-CLAIRE, QC, H9R 1A8 TEL: 1-800-361-2260 FAX: 1-888-626-0606		
LAST UPDATE:	01.08.2007	DRAWN BY:	N. BELANGER	SHEET 1 of 2


CONFIDENTIAL: THIS DRAWING AND/OR THE INFORMATION CONTAINED HEREIN IS AND REMAINS THE SOLE PROPERTY OF, AND IS PROPRIETARY TO, MANARAS-OPERA. THIS DRAWING AND/OR INFORMATION SHALL BE KEPT CONFIDENTIAL AND MAY NOT BE REPRODUCED, COPIED, MODIFIED, DISCLOSED, TRANSFERRED, OR MADE AVAILABLE TO OTHERS, EXCEPT WITH THE EXPRESS CONSENT OF MANARAS-OPERA. IT IS LOANED IN CONFIDENCE FOR MUTUAL ASSISTANCE PURPOSES ONLY. MANARAS-OPERA, MAY AT ANY TIME, WRITTEN MODIFY THE DRAWING AND/OR INFORMATION CONTAINED HEREIN.



TOP AND ISO VIEWS SHOWN WITHOUT COVER009



PART DESCRIPTION		MTH	
PART NUMBER	MTH	MANARAS-OPERA 136 ONEIDA DRIVE POINTE-CLAIRE, OC, H9R 1A8 TEL: 1-800-361-2260 FAX: 1-888-626-0606	
DRAWN DATE:	2008-09-15	INITIAL	
LAST UPDATE:			


 DRAWN BY: _____ SHEET:
 2 of 2

CONFIDENTIAL: THIS DRAWING AND/OR THE INFORMATION CONTAINED HEREIN IS AND REMAINS THE SOLE PROPERTY OF, AND IS PROPRIETARY TO, MANARAS-OPERA. THIS DRAWING AND/OR INFORMATION SHALL BE KEPT CONFIDENTIAL AND MAY NOT BE REPRODUCED, COPIED, MODIFIED, DISCLOSED, TRANSFERRED, OR MADE AVAILABLE TO OTHERS, EXCEPT WITH THE EXPRESS CONSENT OF MANARAS-OPERA. IT IS LOANED IN CONFIDENCE FOR MUTUAL ASSISTANCE PURPOSES ONLY. MANARAS-OPERA MAY AT ANY TIME, WRITTEN MODIFY THE DRAWING AND/OR INFORMATION CONTAINED HEREIN.