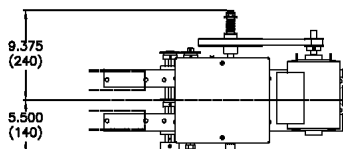
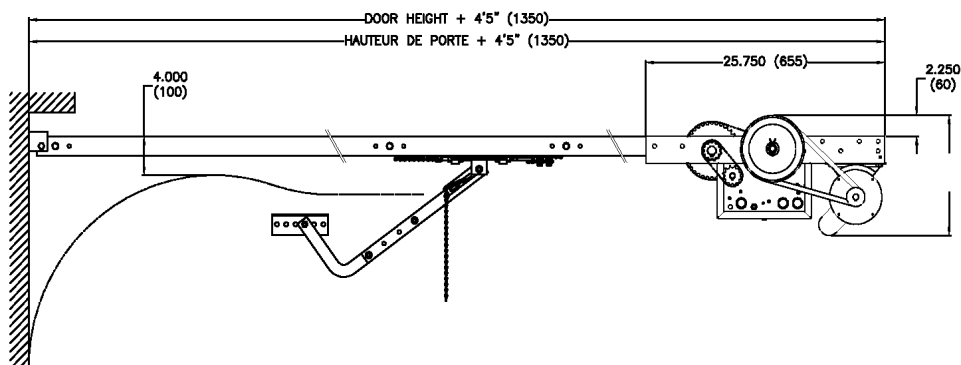


Customer:			
Project:			
Architect/Engineer:			
Contractor:			
Drawing No.:	Date:	Sheet	of

## Shop Drawing



HP	Motor Amperage Rating				
	Voltage - Phase				
	115 V - 1 Ph	230 V - 1 Ph	208 / 230 V - 3 Ph	460 V - 3 Ph	575 V - 3 Ph
1/3*	6.6	3.3	-	-	-
1/2	8.0	4.0	2.1	1.0	0.8
3/4	11.2	5.6	3.2	1.5	1.2

\* Only available in the US

### • Specifications For Ordering

Quantity:	Model Number:			
HP:	Amperage:	Volts:	Phase:	Hertz:
Motor Circuit Type: (Circle One) Contactor or ECB				
Door Type:	Width:	Height:	Lift:	
Supply	3-Push Button Station(s) in NEMA		Enclosure Per Operator	

Supply Auxiliary and Optional Equipment as specified below: One per operator unless otherwise noted.

### • Notes:

1. Refer to model MTH Specification Sheet for General Information
2. Refer to Drawing \_\_\_\_\_ for Wiring Diagram