

Opera-J model

Jackshaft Operator Heavy-Duty

Customer:

Project:

Architect/Engineer:

Contractor:

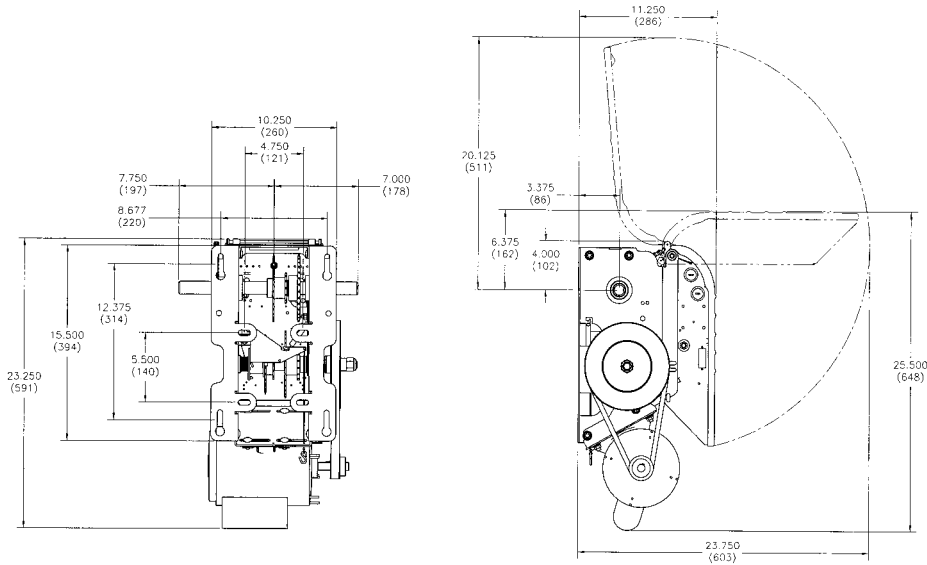
Drawing No.:

Date:

Sheet

of

Shop Drawing



Motor Amperage Rating					
HP	Voltage - Phase				
	115 V - 1 Ph	230 V - 1 Ph	208 / 230 V - 3 Ph	460 V - 3 Ph	575 V - 3 Ph
1/3*	6.6	3.3	-	-	-
1/2	8.0	4.0	2.1	1.0	0.8
3/4	11.2	5.6	3.2	1.5	1.2
1	13.6	6.8	4.4	2.1	1.6

* Only available in the US

• Specifications For Ordering

Quantity:		Model Number:			
HP:	Amperage:	Volts:	Phase:	Hertz:	
Motor Circuit Type: (Circle One) Contactor or ECB					
Door Type:		Width:	Height:	Lift:	
Drive Sprocket: (Circle One) Left or Right					
Supply	3-Push Button Station(s) in NEMA		Enclosure Per Operator		

Supply Auxiliary and Optional Equipment as specified below: One per operator unless otherwise noted.

• Notes:

1. Refer to model OPJ Specification Sheet for General Information
2. Refer to Drawing _____ for Wiring Diagram

Toll Free: 800.361.2260
info@manaras.com
www.manaras.com

Reg. T.M. of 9141-0720 Québec Inc.

