

Product Announcement

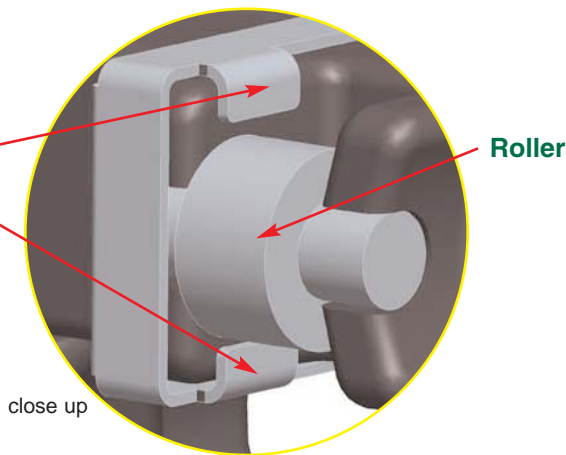
New Improved Pocketwheel for Hoist-a-matic™ Applications

Pocketwheel 007 >>>



NEW

Roller
Clip



Roller

close up

Manaras-Opera New Improved POCKETWHEEL 007

Responding to your needs, Manaras-Opera has developed a new pocketwheel for Hoist-a-matic™ applications beginning July 2007.

The POCKETWHEEL 007 applies to operator models which incorporate a Hoist-a-matic™: OMH, OPH, and OHJ. It does not apply to water/corrosion/explosion proof versions, nor the OGH.

Features of the Pocketwheel

- Two (2) roller clips have now been installed on the pocketwheel.
- The roller clips hold the rollers securely in place, eliminating the risk of the rollers detaching from the pocketwheel during maintenance.

Pricing

- Operator pricing remains the same.

POCKETWHEEL 007 will be implemented in July 2007 as a running change.
For further information, please contact your Manaras-Opera sales representative.

Toll free number: 800 - 361 - 2260
www.manaras.com