



Opera-H

Jackshaft Operator

Architectural Shop Drawing

Heavy-Duty Hoist

Project Details

Date: _____

Drawing No.: _____

Architect/Engineer: _____

Customer: _____

Page: _____ of _____

Project No.: _____

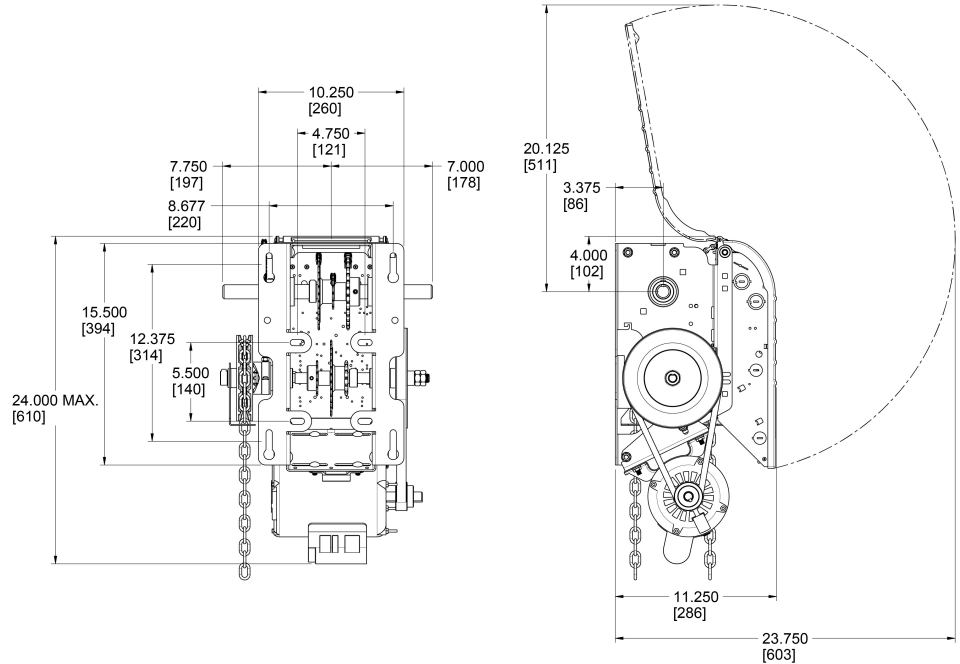
Project Name: _____

Contractor: _____

Dimensions & Ratings

Motor Amperage Rating						
HP	Voltage - Phase					
	115V - 1PH	230V - 1PH	208/230V - 3PH	460V - 3PH	575V - 3PH	
1/2	8,0	4,0	2,1	1,0	0,8	
3/4	11,2	5,6	3,2	1,5	1,2	
1	13,6	6,8	4,4	2,1	1,6	

Reg. T.M. 9141-0720 Québec Inc.



Ordering Specifications

Quantity: _____

Horsepower: _____

Phase: _____

Door Type: _____

Door Shaft Height: _____ H

Amount of High Lift: _____ H

Drum Type/Size: _____

Barrel Diameter: _____ Ø

Operator Nema Rating: _____

3-Push Button Station Rating: _____

Motor Circuit Type: _____

Model: _____

Volts: _____

Hertz: _____

Door Width/Height: _____ W x _____ H

Drive Sprocket: _____

Hand Chain: _____

Qty 3-PB Station(s)/Operator: _____

(One 3-PB station supplied/operator unless otherwise noted)

Photo Cell Upgrade: _____

(Nema-1 rating supplied unless otherwise noted)

Additional Equipment & Options

Refer to the operator's Specification Sheet and/or Wiring Diagram for General Information