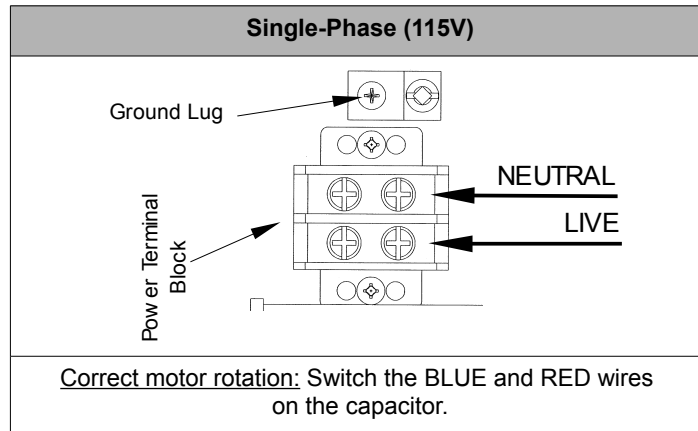


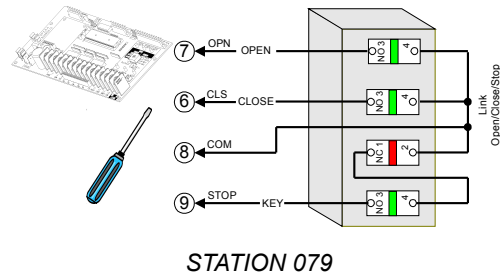
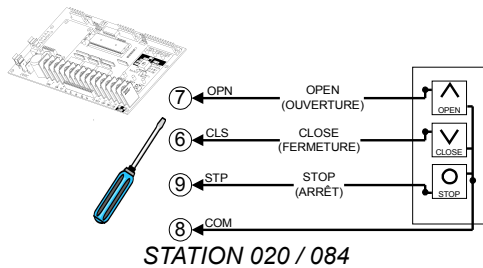
### NOTICE

- Keep low voltage wires separate from line voltage wires.
- Use copper conductors only.
- Manaras-Opera strongly recommends the use of external entrapment protection devices, especially in the case of momentary contact to close (B2 wiring or Timer to Close).

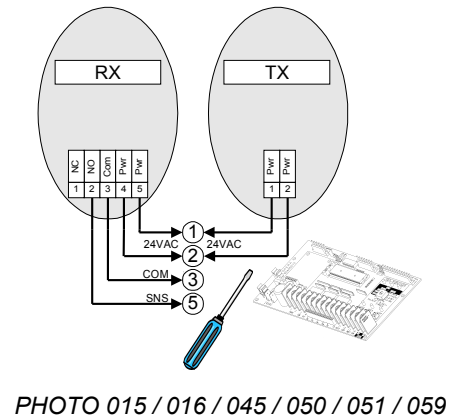
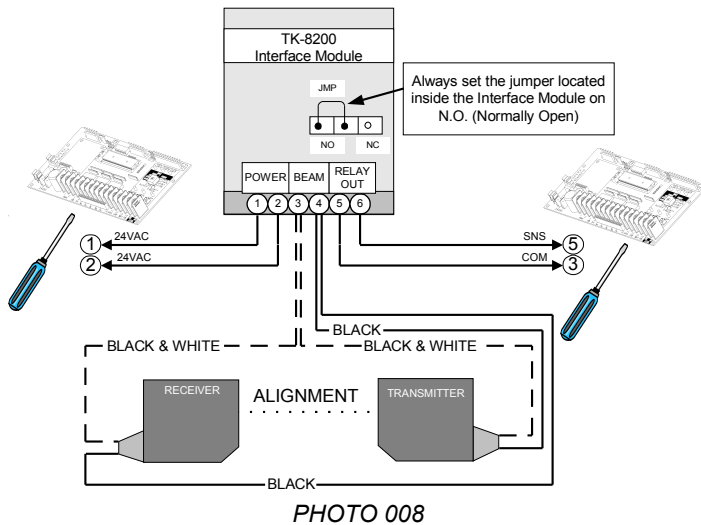
### Power Supply Connection



### 3 Push-Button Station (3 PBS) Connection



### Electric Photo Cell / Photo Eye (Non-Monitored)



# BOARD 100E

## Electrical Wiring Instructions

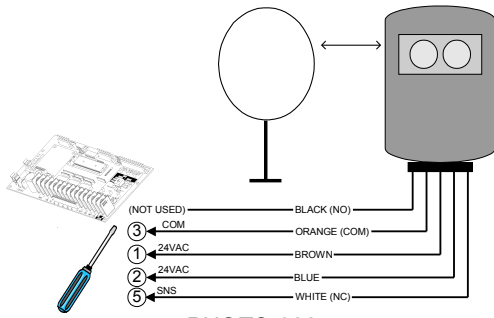


PHOTO 038

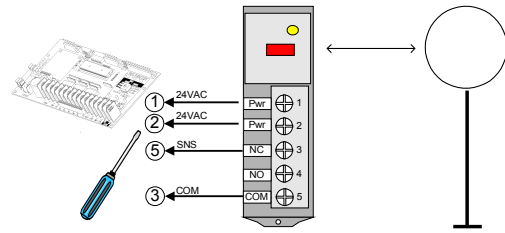
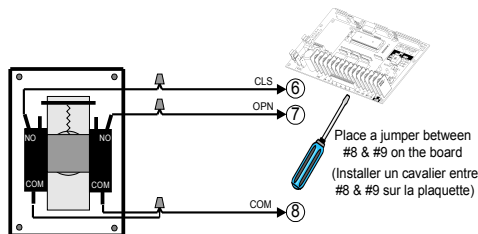
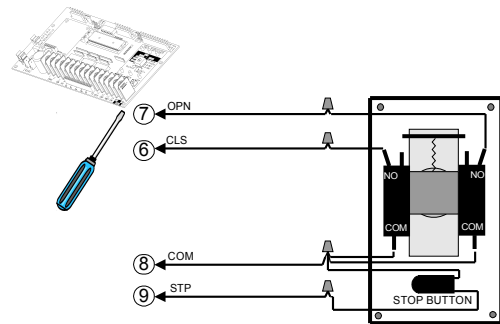


PHOTO 060

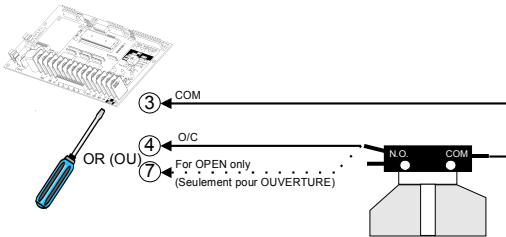
### Key Switch and Pull Cord



KEYSWITCH 010 / 015

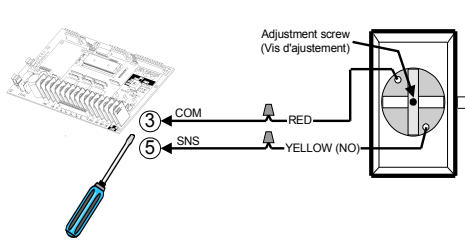


KEYSWITCH 019

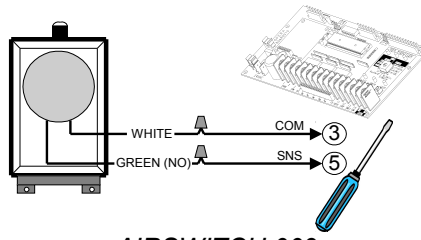


PULLCORD 003

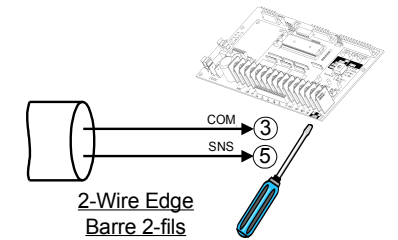
### Air Switch and Electric Reversing Edge



AIRSWITCH 001 / 007



AIRSWITCH 009



ELECTRIC REVERSING EDGE

For further information, please consult the operator's Installation & Instruction Manual.