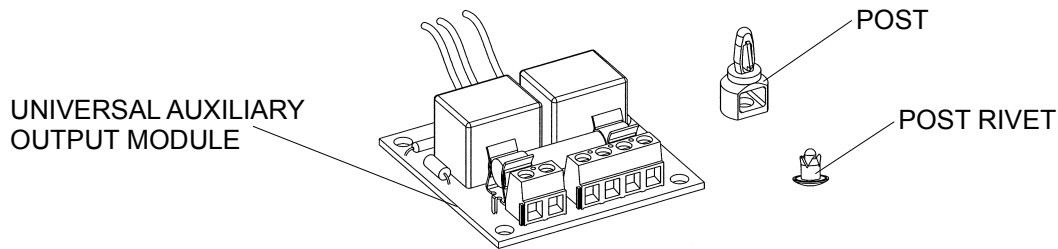


Components



Installation

1. Turn power OFF.
2. Locate the mounting holes inside the control box.
3. Pass the posts through the holes of the Universal Auxiliary Output Module.
4. Use the rivets to secure the Universal Auxiliary Output Module inside the control box.
5. Connect the Universal Auxiliary Output Module to the board terminal TB6 (for the electronic control board BOARD070) or TB5 (for the electronic control board BOARD060).

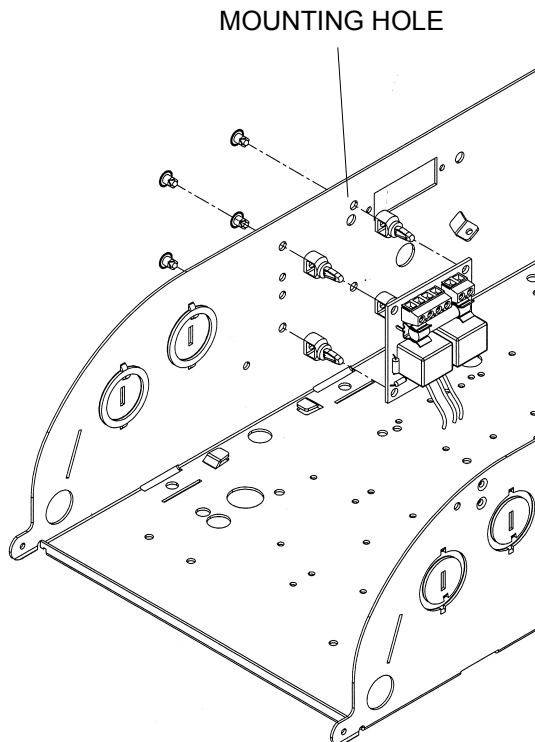


Figure 1 - Control Box Mounting Holes

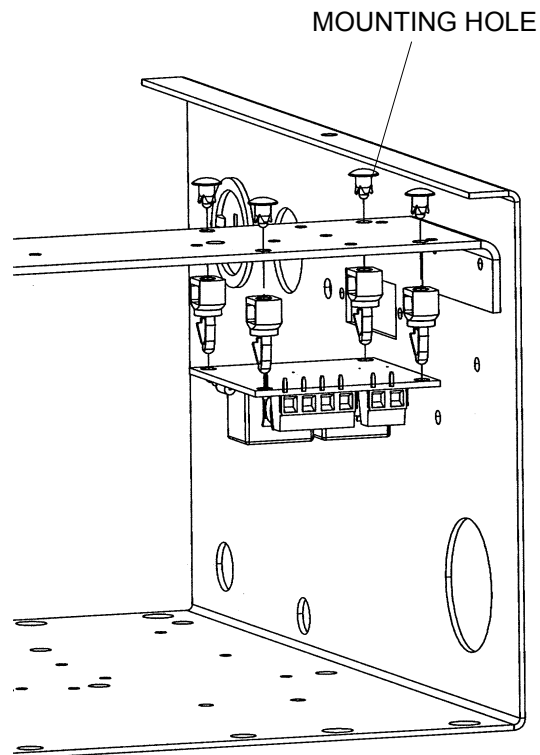


Figure 2: Control Box Mounting Holes
(Alternate)

Wiring Instructions

1. Determine the type of installation:

For a 24 VAC traffic light (12 VA maximum)

- a) Connect wire on L & N from the Universal Auxiliary Output Module to terminal #1 and #2 on the board.
- b) Connect traffic light as per Figure 3 below.

For a 115 VAC traffic light on 115 VAC operator.

- c) Connect wire on L & N from the Universal Auxiliary Output Module to terminal L and N on the power board.
- d) Connect traffic light as per Figure 3 below.

For a 115 VAC traffic light on 230/208/460/575 VAC operator.

An additional transformer is required in order to generate 115 VAC for the traffic light.

- e) Connect wire on L & N from the Universal Auxiliary Output Module to the 115VAC terminal of the additional transformer.
- f) Connect wire to the 230/208/460/575 VAC terminal of the additional transformer to the terminal L and N on the power board.
- g) Connect traffic light as per Figure 3 below.

2. Turn power ON.

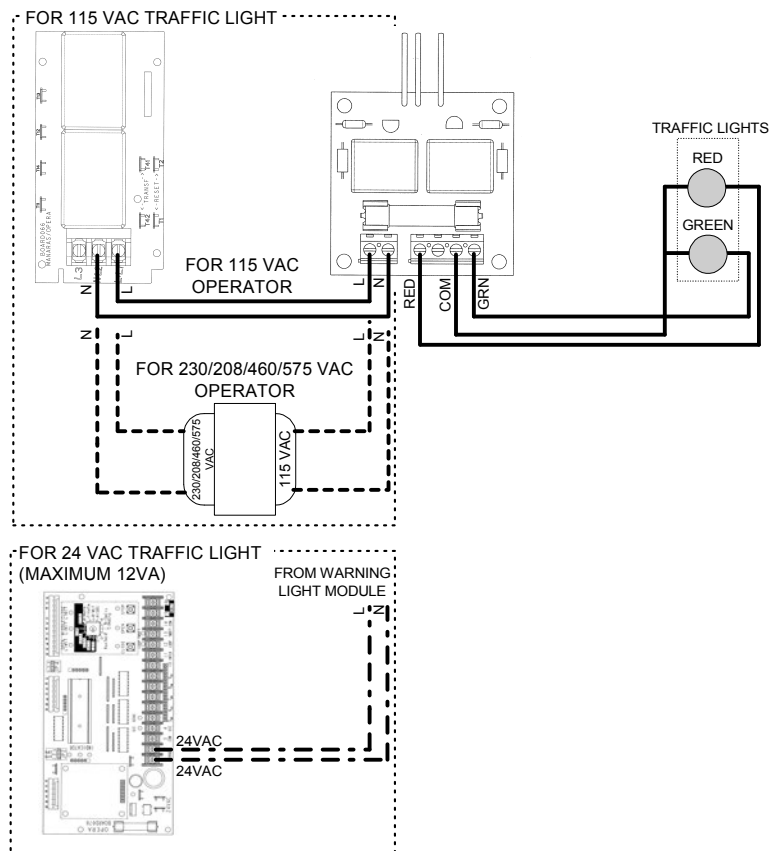


Figure 3 - Wiring Diagram



Univ. Auxiliary Output Module

Instructions for the Warning Light Feature

Warning Light Sequence

Red Light

The Red light is ON when the door is closing and opening. Light turns OFF once the door has stopped.

Green Light

The Green light is ON when the door is at its fully open or mid-stop positions. It stays ON during a preset time (Timer to Close time *minus* Red Light Flashing time).

Red Light (Flashing)

The Red light starts flashing once the Green light is OFF and the door is about to close. The purpose is to warn the users that the door will close shortly. It stops flashing once the door starts closing. The Red light flashes for a factory preset time of 5 sec.

Programming

NOTICE

- Always return the door to **fully closed position** before performing any program settings.

Timer to Close (TTC)

Warning lights are only functional with the Timer to Close. Timer to Close (T = 4 or TS = 5 Mode), will close the door from the fully opened and mid-stop positions after a factory preset time (5 sec.). The Timer to Close can be programmed in increments of 1 sec. or 15 sec.

TTC Programming	Select Switch	TTC Deactivation
<ol style="list-style-type: none"> 1. Verify if close limit switch is activated and if close LED is ON. 2. Set select switch on B = Tm Cls. 3. Press the "Stop" button to return the time to 0 sec. or to reprogram. 4. Press the "Open" button to add 15 sec. increments, or press the "Close" button to add 1 sec. increments. Max. 4 min. 5. Set the select switch on T = 4 or TS = 5. 		<ol style="list-style-type: none"> 1. If the TTC and the traffic light is not required, set the select switch on Run Mode (0, 1, 2, or 3).

Red Light (Flashing Time)

Red Light Programming	Select Switch	Deactivation
<ol style="list-style-type: none"> 1. Verify if the close limit switch is activated and if the close LED is ON. 2. Set the select switch on 8 = WLF. 3. Press the "Stop" button to return the time to 5 sec. or to reprogram. 4. Press the "Open" button to add 1 sec. increments, or press the "Close" button to deduct 1 sec. increments. Min 0 sec. / Max 15 sec. 5. Set the select switch on T = 4 or TS = 5. 		<ol style="list-style-type: none"> 1. If the traffic light is not required, set the select switch on Run Mode (0, 1, 2, or 3).

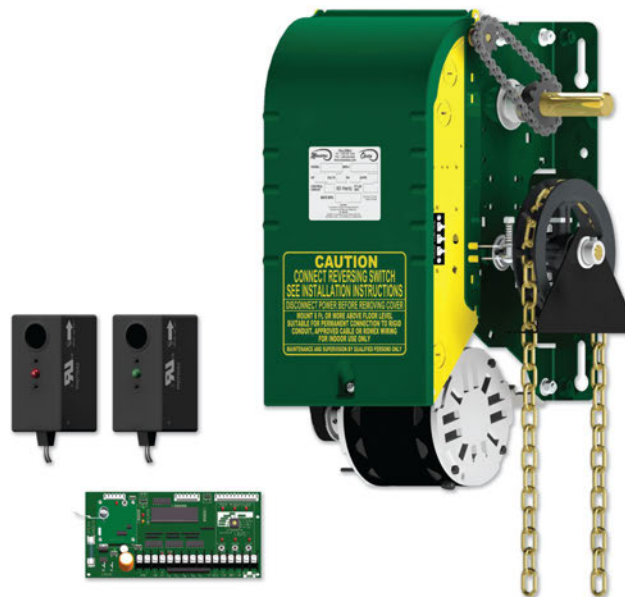


Univ. Auxiliary Output Module

Instructions for the Warning Light Feature



When you think
Commercial Door OPERATORS,
just think OPERA.



Manaras-Opera is pleased to offer UL325-2010 compliant Commercial Door OPERATORS to the market. Over the years, the OPERA brand name has become synonymous with innovation and reliability and our products only continue to get better.

Call us for more information
1-800-361-2260

www.manaras.com

Reg T.M. of 9141-0720 Québec Inc.