

Band Brake Maintenance

⚠ WARNING

To reduce the risk of SEVERE INJURY or DEATH to persons:

- Be sure that the main power is OFF before performing any changes on the operator.

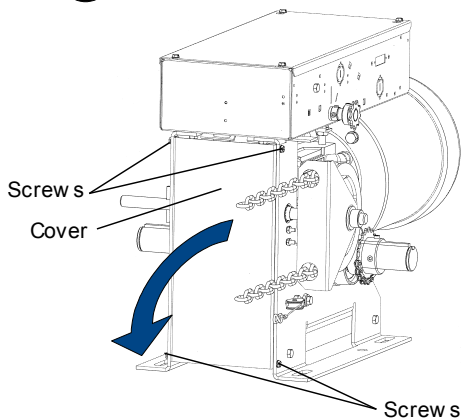
NOTICE

- Always return the door to **fully closed position** before performing any maintenance to the brake.

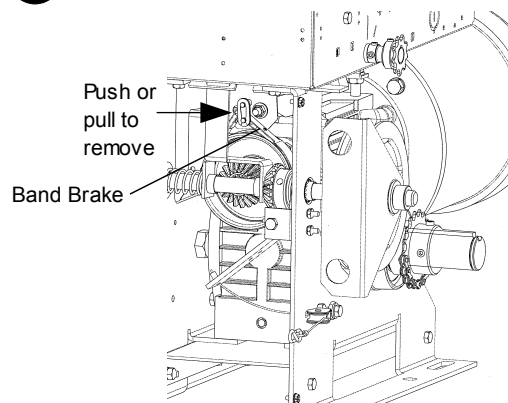
Changing a Brake Band

The brake band is preformed at the factory. Please insert the brake band carefully around the brake drum.

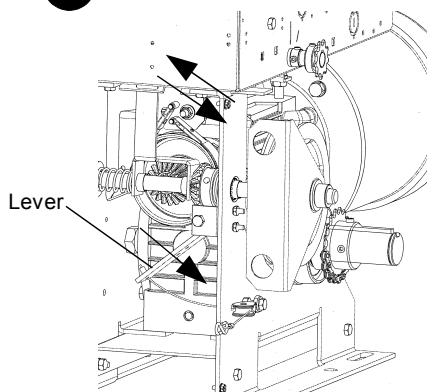
1 Remove brake cover



2 Remove link locking plate and used band brake



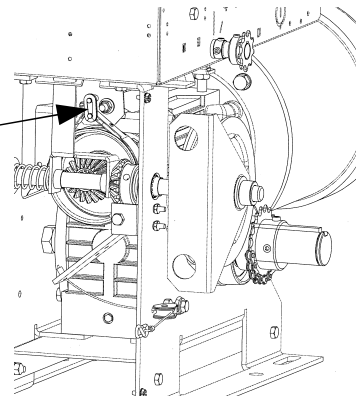
3 Replace band brake



Push the lever to reduce the tension when removing or installing the band brake.

4 Place link locking plate

Be sure that the link locking plate is securely fastened on the two pins.

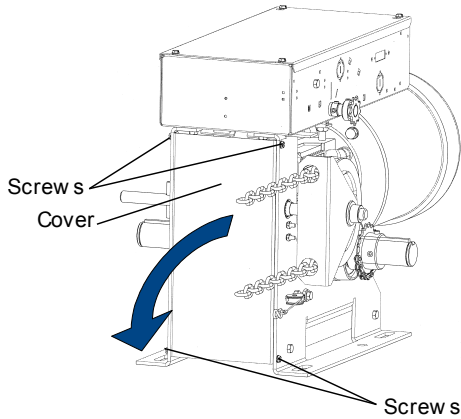


5 See brake adjustment on next page

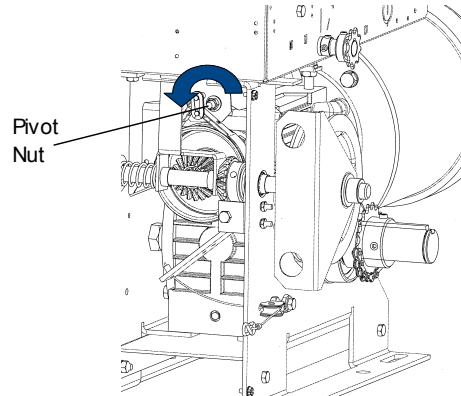
Band Brake Adjustment

The brake is factory set, however, after extensive use the brake may need to be adjusted.

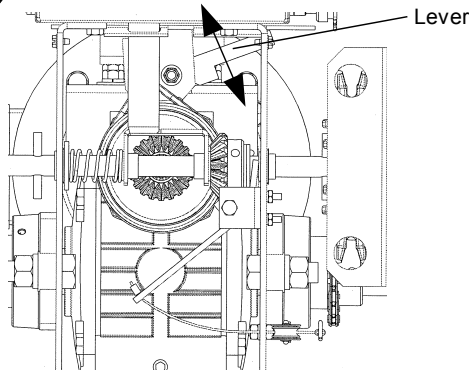
1 Remove brake cover



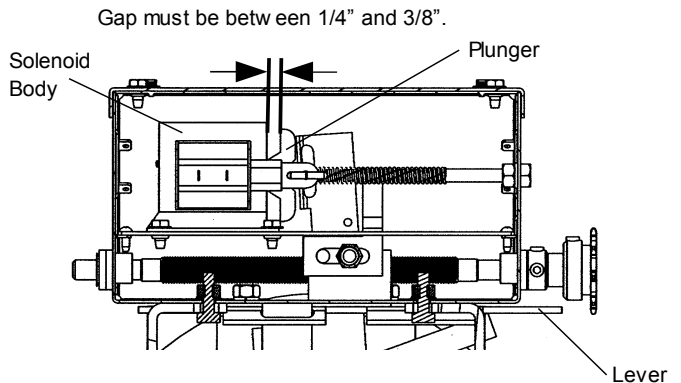
2 Loosen pivot nut



3 Adjust solenoid gap

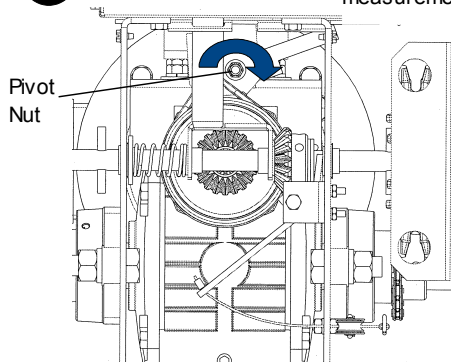


Pull the lever to adjust the gap between the plunger and solenoid body.



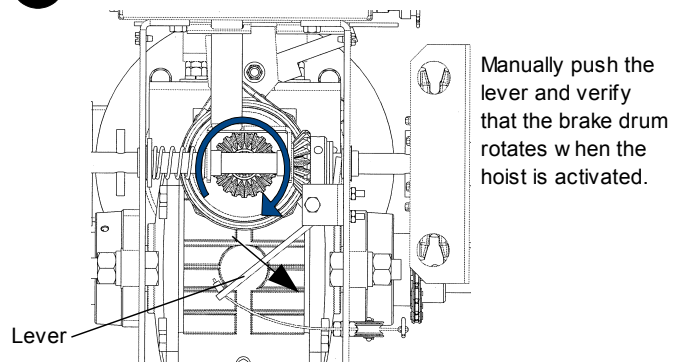
4 Tighten pivot nut

Recheck the gap measurement.



6 Re-install brake cover

5 Check brake adjustment



Manually push the lever and verify that the brake drum rotates when the hoist is activated.