
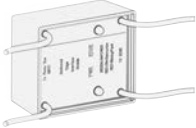



WARNING

TO REDUCE THE RISK OF SEVERE INJURY OR DEATH TO PERSONS:

1. READ AND FOLLOW ALL INSTALLATION INSTRUCTIONS.
2. Always shut OFF the main power before performing any electrical intervention.
3. Do NOT connect more than one (1) monitored entrapment protection device simultaneously on the MONIT terminals.
4. Sensing Edges are to be placed where there is a risk of entrapment or obstruction, such as the bottom edge of a vertically closing door.
5. Do NOT operate equipment without a properly working and correctly wired Sensing Edge attached.

Contents

Article No.	Components
<p>SENSEGE 044UM Monitored External Entrapment Protection Device + INTERFACE 002 Signature Interface Module</p> <p>Used to safeguard doors according to the requirements of UL325</p>	<div style="display: flex; justify-content: space-around; align-items: center;">   </div> <ul style="list-style-type: none"> → Monitored Electric Sensing Edge → Mounting Channel (optional – sold separately) → Signature Interface Module (sold separately) → Includes junction box and wire nuts → Refer to TN1024 for Signature Interface Module Installation Instructions
<p>SENSEGE 044U External Entrapment Protection Device</p>	<div style="text-align: center;">  </div> <ul style="list-style-type: none"> → Non-Monitored Electric Sensing Edge → Mounting Channel (optional – sold separately)

Installation Instructions

WARNING

DOORS MUST BE EQUIPPED WITH ENTRAPMENT PROTECTION DEVICES TO AVOID DANGER OF INJURY TO PERSONS.

Before installation of such devices, the installer has to identify all danger zones of the door.

Preparation

1. Unpack and straighten the Sensing Edge. This will allow the edge to return to its original shape and dimension.
2. Attach the edge to the mounting channel (optional). Attach the edge and mounting channel to the leading edge of the door.
3. Adjust the equipment to which the Sensing Edge is attached so that the edge is never compressed more than 1/4" (6.3mm). In the case of an uneven floor under a door, bend the mounting channel up or down to compensate in the uneven area.

Installation

Refer to Figure 1 and follow the instructions below:

1. Drill 1/8" diameter holes, starting 3" (7.6cm) from the end of the mounting channel every 24" (60.9cm) through both legs of the channel into mounting surface (optional). Alternate mounting methods may be used as seen fit by the door manufacturer.
2. Secure the lead wire of the Sensing Edge to the end style of the door with a junction box.
3. Connect a coil cord to the junction box mounted on the door to the lead wire of the Sensing Edge.
4. Attach the other end of the coil cord to another junction box mounted on an adjoining wall, approximately halfway up the door opening. Be sure to trim the coil cord so that the stretched length is equal to one-half the door opening. This assures the excess coil cord will not get caught or hang in the opening of the door.
5. Hard wire from the second junction box to the operator.

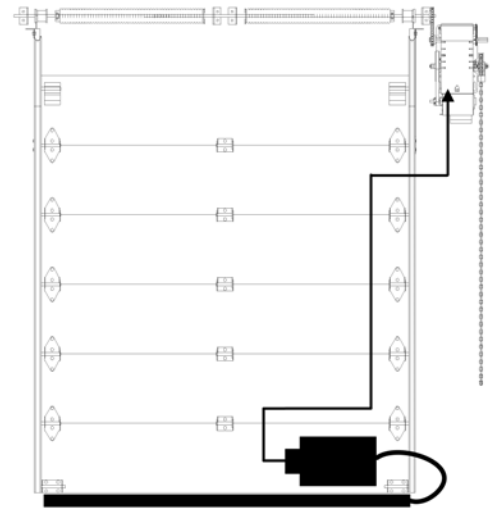


Figure 1 - Sensing Edge Installation

Wiring Connections

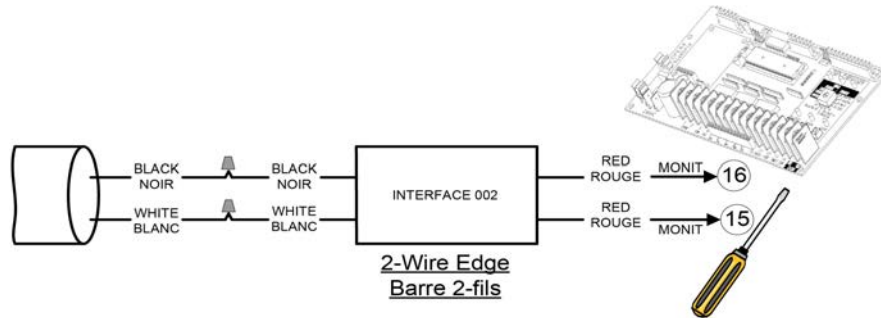


Figure 2 - Connection of SENSEGE044UM (Monitored) and INTERFACE002 (Signature Interface Module) with BOARD070M Operator

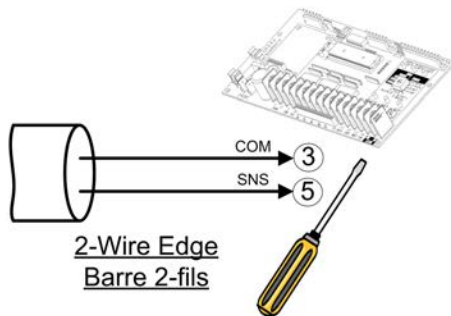


Figure 3 - Connection of SENSEGE044U (Non-Monitored) with BOARD070E Operator

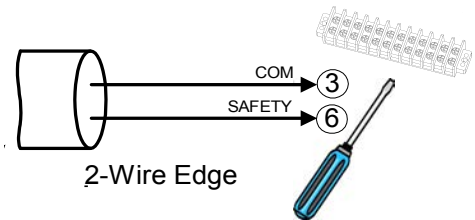


Figure 4 - Connection of SENSEGE044U (Non-Monitored) with Hardwired Operator

CAUTION

- After installation, check the Sensing Edge and wiring to make sure the sensing circuit is working properly and connections are secure.
- Sensing Edges must be examined periodically (at least once per month) for any signs of damage, cuts, punctures, loss of sensitivity, or water damage.
- When the Sensing Edge is compressed 1/2" (1.27cm) along any portion of its length starting 2" (5.1cm) in from the ends, it will send an electric signal to the controls. If this does not occur, verify installation and contact our Technical Support Department at **1-800-361-2260**.

Trouble Shooting Tips - On-Board LED Monitoring Status

The electronic control board's LEDs help with wiring and troubleshooting diagnostics. Every LED indicates the status of the door. The electronic control board has a non-volatile memory and the LEDs return to their initial state after a power interruption.

SENSEEDGE 044UM (Monitored - BOARD070M)		SENSEEDGE 044U (Non-Monitored - BOARD070E)	
 LED D4 ON (ORANGE)	Indicates the activation of a Monitored Sensing Edge, or the absence of/ or defectiveness of a Monitored Sensing Edge and/or Signature Interface Module (INTERFACE002).	 LED D6 ON (RED)	Indicates the activation of a Sensing Edge.

Trouble Shooting Tips - INTERFACE002

INTERFACE002 LED Color & Status	Diagnosis	Cause / Solution
 GREEN ON	Power	➔ Normal Operation.
 GREEN OFF	No Power	➔ Check the wire connections between the Operator and the Signature Interface Module.
 RED OFF	Sensing Edge is NOT Active	➔ Normal Operation.
 RED ON	Sensing Edge IS Active, Fault	➔ Sensing Edge has been activated.
 RED BLINKING	Sensing Edge IS OPEN, Fault	➔ Check the wire connections between the Sensing Edge and the Signature Interface Module. The Sensing Edge may be faulty or not ideal for this application.

Refer to TN1024 for complete INTERFACE002 (Signature Interface Module) Installation Instructions and Troubleshooting tips.

For further information, please consult the operator's Installation & Instruction Manual or contact our Technical Support Department at **1-800-361-2260**.