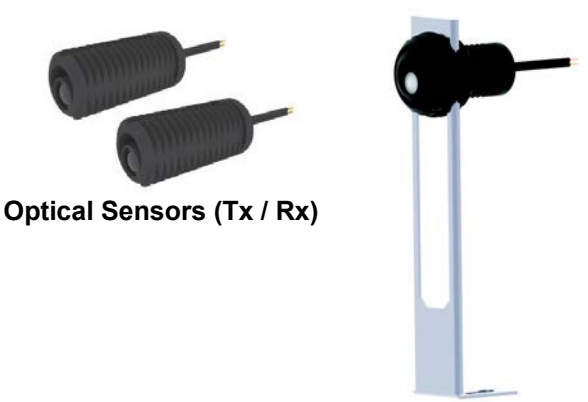


⚠ WARNING

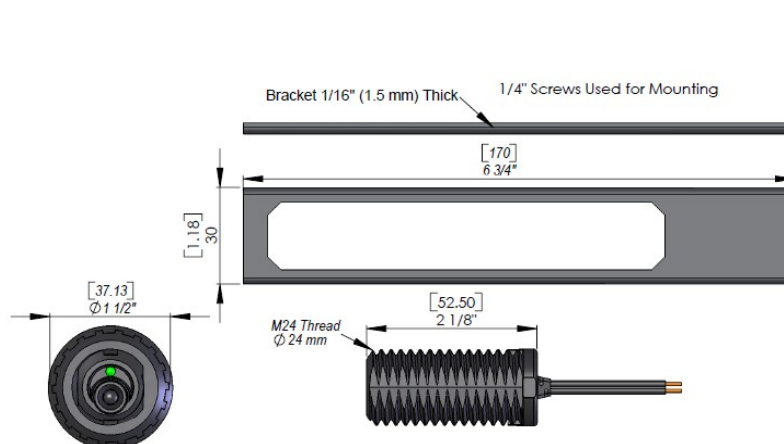
TO REDUCE THE RISK OF SEVERE INJURY OR DEATH TO PERSONS:

1. READ AND FOLLOW ALL INSTALLATION INSTRUCTIONS.
2. Always shut OFF the main power before performing any electrical intervention.
3. Do NOT connect more than one (1) monitored entrapment protection device simultaneously on the MONIT terminals.
4. Photo cells must be installed facing each other across the door's path within 6" (15 cm) of the plane of the door and the beam no more than 5-3/4" (14,6 cm) above the floor).

Contents

Article No.	Components	Specifications
PHOTO 070 Monitored External Entrapment Protection Device Used to safeguard doors according to the requirements of UL325	 <p>Optical Sensors (Tx / Rx)</p> <p>Optical Sensor Bracket Mount</p>	<ul style="list-style-type: none"> ➔ 2-wires for transmitter. 2-wires for receiver. ➔ Connects to specific MONIT terminal on electronic control board (BOARD 070M). ➔ Through beam type. ➔ Nema 1. ➔ Includes L-shape metal mounting brackets and hardware.

Dimensions

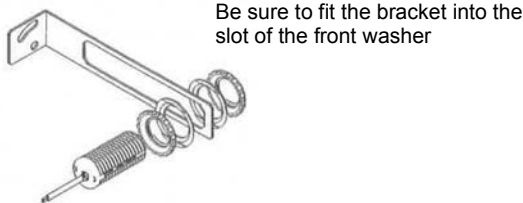


Technical Data – Photo Cells

Protection Class	NEMA 1 Sensors
Electrical diagram	Monitored Configuration
Operation Temperature	-10 °F to + 165 °F (-12 °C to +74 °C)
Housing Material	ABS-PC blend
Housing Diameter	1" (25 mm)
Housing Length	2" (50 mm)
Signalling Cable	PVC Insulation, 2 x 22 AWG
Length of Signalling Cable	Max. length from sensors to signal processing unit: ~650 Ft (~200 m)
Length of Cable	3 Ft (0.91 m)
Voltage	+6 VDC to +40 VDC
Output	2-Wire modulated signal
Range	1 Ft to 45 Ft (0.3 m to 13 m)

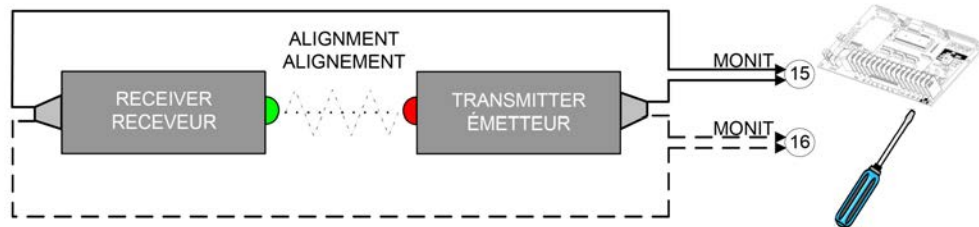
Installation Instructions

- 1 Mount sensors to bracket using washer and nuts provided

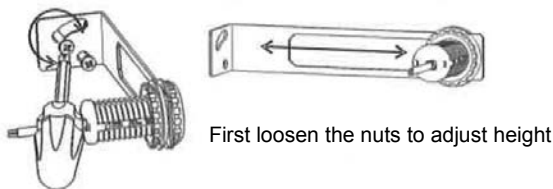


- 2 Wire the receiver and the transmitter to the operator's electronic control board terminals

Use the LEDs for alignment and troubleshooting



- 3 Adjust photo cell by changing the angle and height of the fixture



- 4 For finer angle adjustment, loosen the nuts and position the photo cell within the fixed bracket

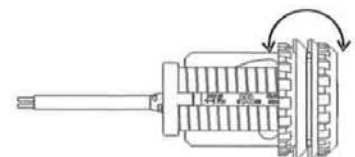


PHOTO070 - Photo Cells Nema 1

Specifications and Installation Instructions

Trouble Shooting Tips - On-Board LED Monitoring Status

The electronic control board's LEDs help with wiring and troubleshooting diagnostics. Every LED indicates the status of the door. The electronic control board has a non-volatile memory and the LEDs return to their initial state after a power interruption.

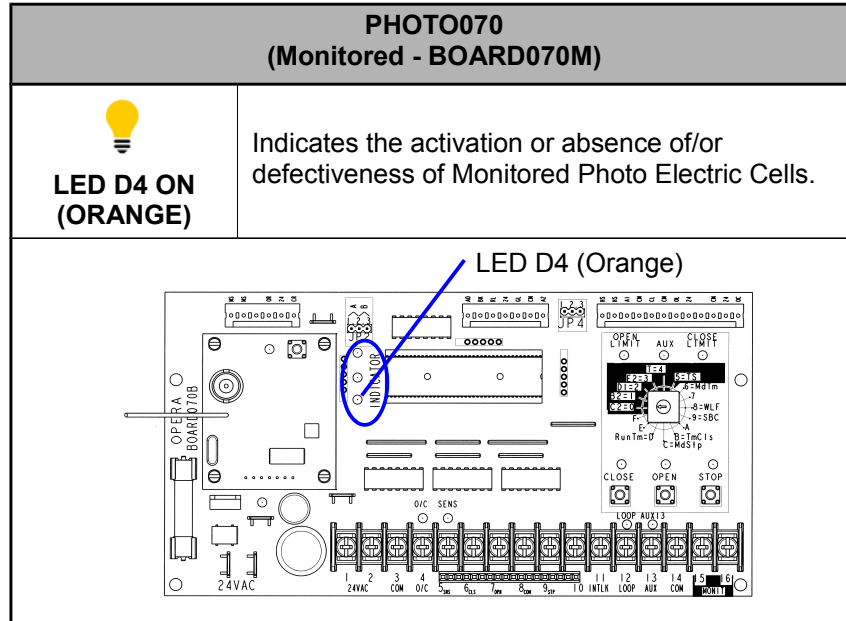
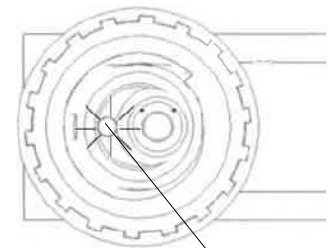


Photo Eyes – LED Status Descriptions

Red LED	Green LED	Status
ON	ON	Normal operation
OFF	OFF	No power, check wiring Check if the wires on Terminals #15/#16 are disconnected
OFF	ON	Check power and wiring to Tx / Tx Defective
2 x Blink	ON	Poor alignment / Obstructed beam / Rx defective
2 x Blink	OFF	Check power and wiring to Rx / Rx defective
3 x Blink	ON	Rx receiving sunlight interference / Other interference



Use the LED for alignment and troubleshooting.

For further information, please consult the operator's Installation & Instruction Manual or contact our Technical Support Department at **1-800-361-2260**.

2X FASTER*



RAPIDO™ TWICE AS FAST

OPEN AND CLOSE YOUR DOOR TWICE AS FAST WITH A RAPIDO OPERATOR FROM MANARAS-OPERA.

The RAPIDO™ features a door speed up to 2 times faster than standard models available to the commercial and industrial door market.

The RAPIDO™ increases the longevity of the complete door system, designed to speed-up industrial standard lift sectional doors while smoothly managing soft-starts and soft-stops.

CHOOSING THE RAPIDO™ IS SIMPLE WHEN TIME AND ENERGY SAVINGS IS A MUST.

On-board control and monitoring of external entrapment protection devices, provide speed managing features and enhanced performance and reliability.

*The RAPIDO™ operator is up to 2X the speed of a standard jackshaft operator.

CALL US FOR MORE INFORMATION: 1-800-361-2260
www.manaras.com