

Band Brake Maintenance

WARNING

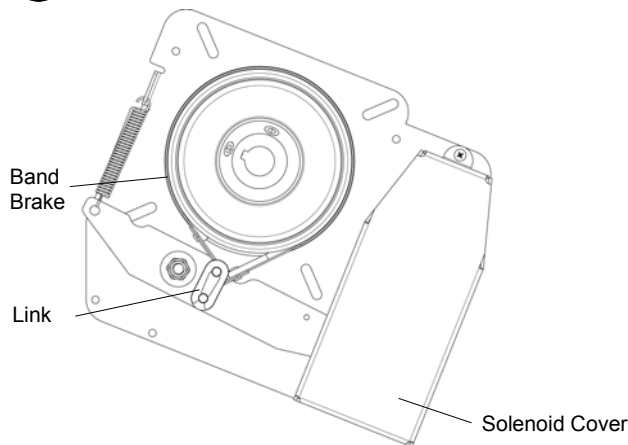
TO REDUCE THE RISK OF SEVERE INJURY OR DEATH TO PERSONS:

1. READ AND FOLLOW ALL INSTALLATION INSTRUCTIONS.
2. Be sure that the main power is OFF before performing any changes on the operator.

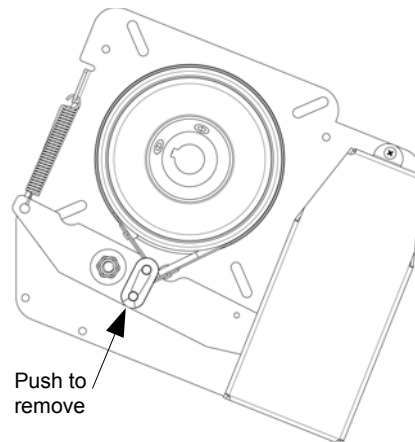
Changing a Brake Band

The brake is factory set, however, after extensive use the brake may need to be adjusted.

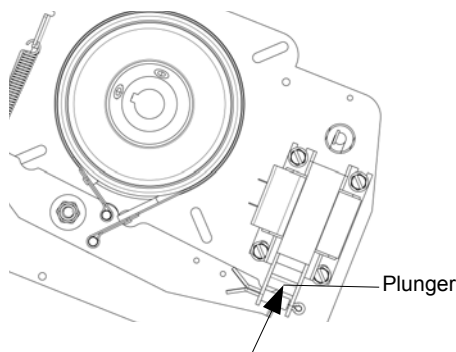
- 1** Remove solenoid cover



- 2** Remove link and used band brake

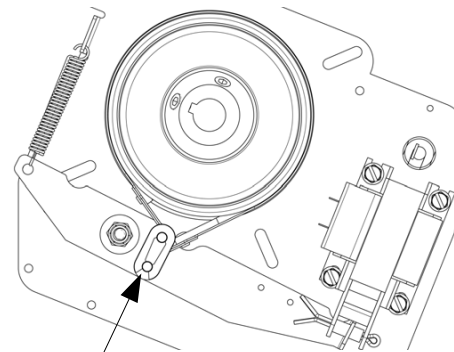


- 3** Replace band brake



Push solenoid plunger to reduce tension when removing or installing the band brake.

- 4** Place the link



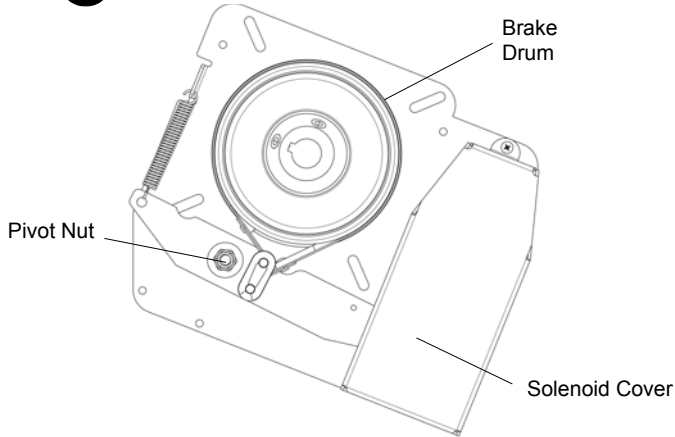
Be sure that the link is securely fastened on the two pins.

- 5** See brake adjustment on next page

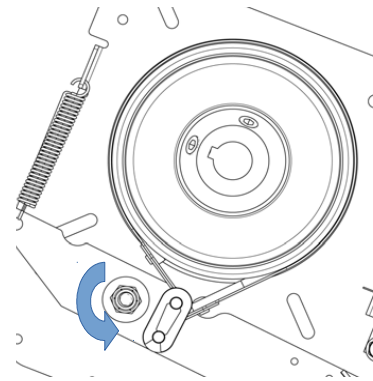
Brake Adjustment

The brake is factory set, however, after extensive use the brake may need to be adjusted.

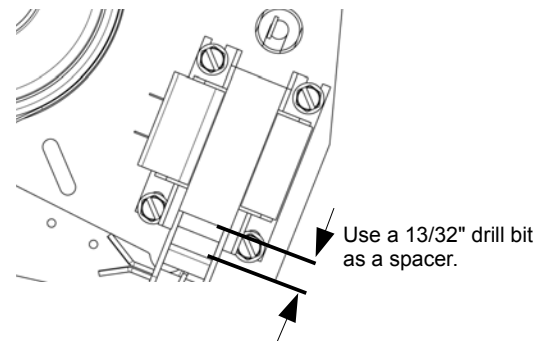
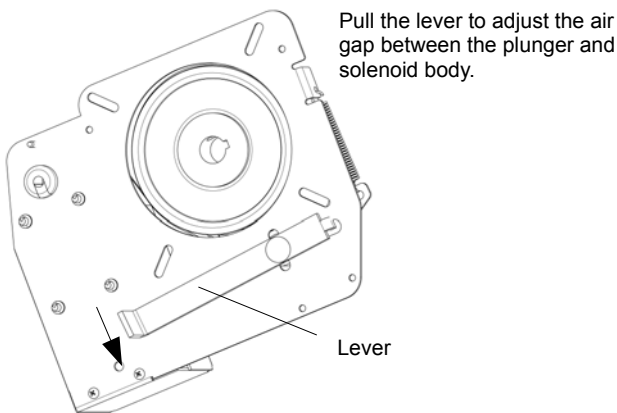
1 Remove solenoid cover



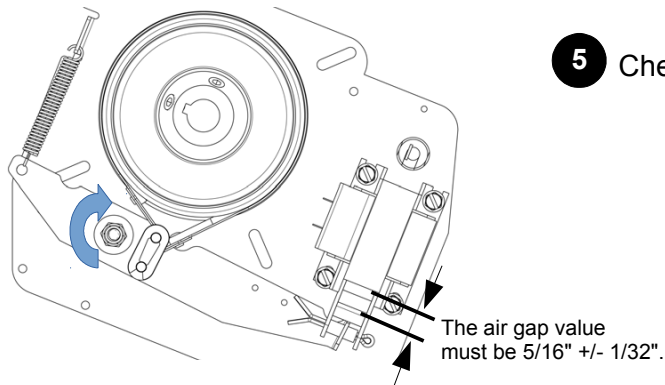
2 Loosen pivot nut



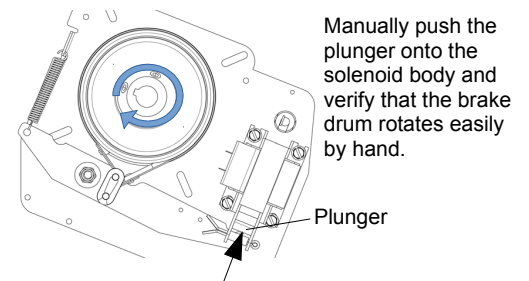
3 Adjust solenoid gap



4 Tighten pivot nut and measure the gap



5 Check brake adjustment



6 Re-install solenoid cover