

MANARAS-OPERA RADIO031 & RADIO037 are MCR-32 Receivers

MODEL MCR-32 WIRING INSTRUCTIONS ON A MANARAS-OPERA-OPERA OPERATOR (WITH ELECTRONIC CONTROL BOARD)

The model MCR-32 commercial receiver is provided with three isolated contacts, a normally open contact for OPEN, a normally open contact for CLOSE and a normally closed contact for STOP. Wire these contacts as you would a 3-button station.

For a typical installation using a receiver only (See figure 1): Connect Terminal #4 of the MCR-32 to Terminal #6 of the MCR-32 and then Terminal #6 of the MCR-32 to Terminal #8 of the MCR-32. Connect Terminal #8 of the MCR-32 to Terminal #8 of the operator. Connect Terminal #7 of the MCR-32 to Terminal #9 of the operator, Terminal #5 of the MCR-32 to Terminal #6 of the operator and Terminal #3 of MCR-32 to the Terminal #7 of the operator.

If you are using a 3-button station and a MCR-32 receiver (See figure 2): Connect Terminal #4 of the MCR-32 to Terminal #6 of the MCR-32 and then Terminal #6 of the MCR-32 to COM of the 3-button station. Connect the COM of the 3-button station to Terminal #8 of the operator. Connect Terminal #7 of the MCR-32 to Terminal #9 of the operator. Connect Terminal #3 of the MCR-32 to Terminal #7 of the operator and then the Terminal #7 of the operator to OPEN of the 3-button station. Connect Terminal #5 of the MCR-32 to Terminal #6 of the operator and then Terminal #6 of the operator to CLOSE of 3-button station. Connect STOP of 3-button station to Terminal #8 of the MCR-32.

To supply 24 Volts AC power to the receiver, connect Terminals #1 and #2 of the MCR-32 to Terminals #1 and #2 of the operator respectively.

Potentiometer located at top/left of the electronic board

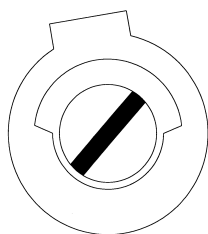
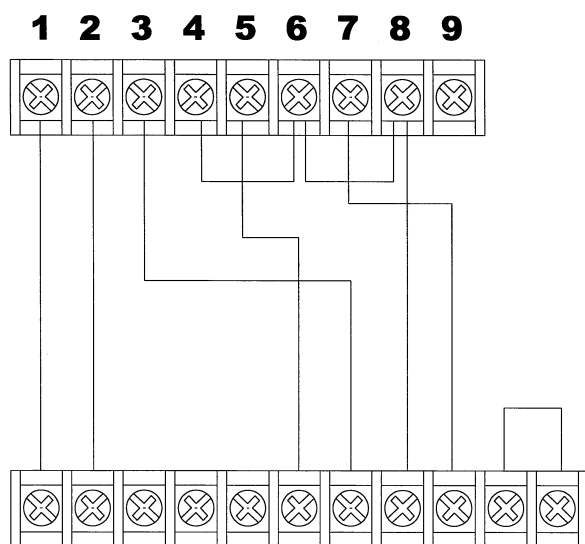


FIGURE 1

RADIO RECEIVER TERMINAL BLOCK



OPERATOR TERMINAL BLOCK

TERMINAL ON ECB

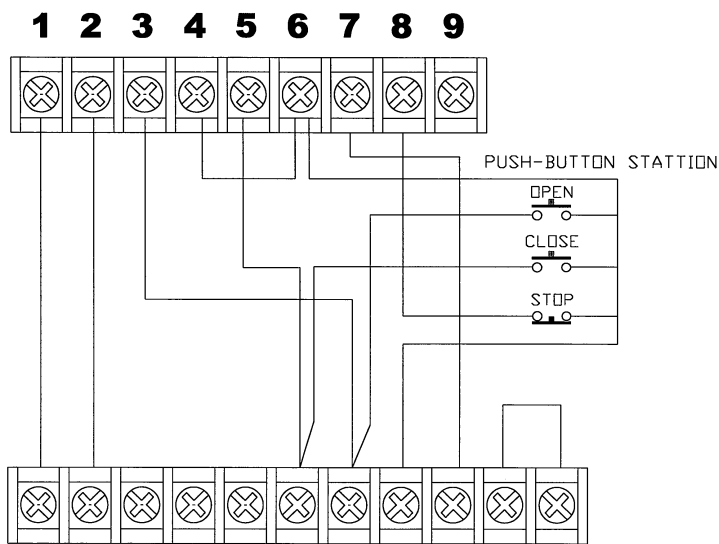
IMPORTANT (ADJUST ONLY WHEN REQUIRED)

NOTE: The quality of reception depends on several factors surrounding the Radio Receiver

TO ADJUST: Turn the potentiometer clockwise or counter-clockwise gradually until you notice an increase in the reception range

FIGURE 2

RADIO RECEIVER TERMINAL BLOCK



OPERATOR TERMINAL BLOCK

TERMINAL ON ECB

Customer Service & Technical Support:

Tel.: 1-800-361-2260

Fax: 1-888-626-0606

www.manaras.com



MANARAS-OPERA RADIO031 & RADIO037 are MCR-32 Receivers

MODEL MCR-32 WIRING INSTRUCTIONS ON A MANARAS-OPERA OPERATOR (WITH HARDWIRED CONTROL)

The model MCR-32 commercial receiver is provided with three isolated contacts, a normally open contact for OPEN, a normally open contact for CLOSE and a normally closed contact for STOP. Wire these contacts as you would a 3-button station.

For a typical installation using a receiver only (See figure 1): Connect Terminal #8 of the MCR-32 to Terminal #3 of the operator and to Terminal #6 of the MCR-32. Connect Terminal #6 of MCR-32 to Terminal #4 of the MCR-32. Connect Terminal #7 of the MCR-32 to Terminal #2 of the operator, Terminal #5 of the MCR-32 to Terminal #5 of the operator and Terminal #3 of the MCR-32 to Terminal #4 of the operator.

If you are using a 3-button station and a MCR-32 receiver (See figure 2): Connect the Terminal #4 of the MCR-32 to Terminal #6 of the MCR-32 and then Terminal #6 of the MCR-32 to COM of 3-button station. Connect Terminal #3 of the operator to COM of 3-button station. Connect the STOP of the 3-button station to Terminal #8 of the MCR-32. Connect Terminal #7 of the MCR-32 to Terminal #2 of the operator, Terminal #5 of the MCR-32 to Terminal #5 of the operator and then Terminal #5 to the CLOSE of the 3-button station. Connect Terminal #3 of the MCR-32 to Terminal #4 of the operator and then Terminal #4 of the operator to OPEN of the 3-button station.

To supply 24 Volts AC power to the receiver, connect Terminals #1 and #2 of the MCR-32 to Terminals #1 and #9 of the operator respectively.

Potentiometer located at top/left of the electronic board

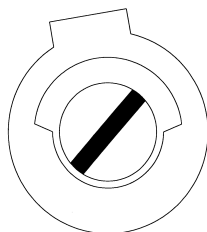


FIGURE 1

**IMPORTANT
(ADJUST ONLY WHEN REQUIRED)**

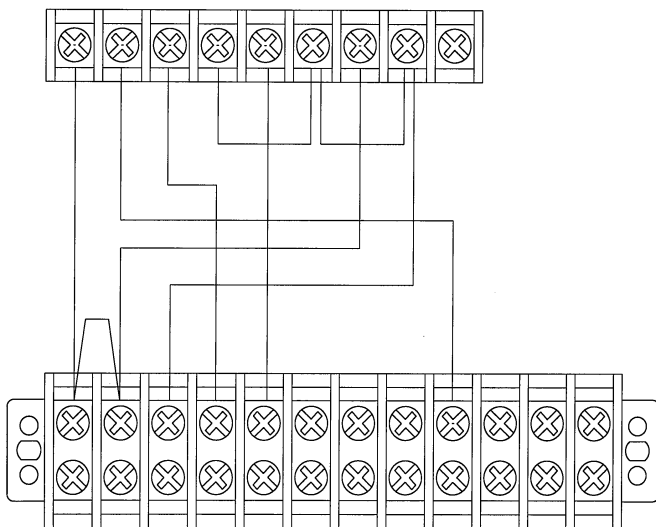
NOTE: The quality of reception depends on several factors surrounding the Radio Receiver

TO ADJUST: Turn the potentiometer clockwise or counter-clockwise gradually until you notice an increase in the reception range

FIGURE 2

RADIO RECEIVER TERMINAL BLOCK

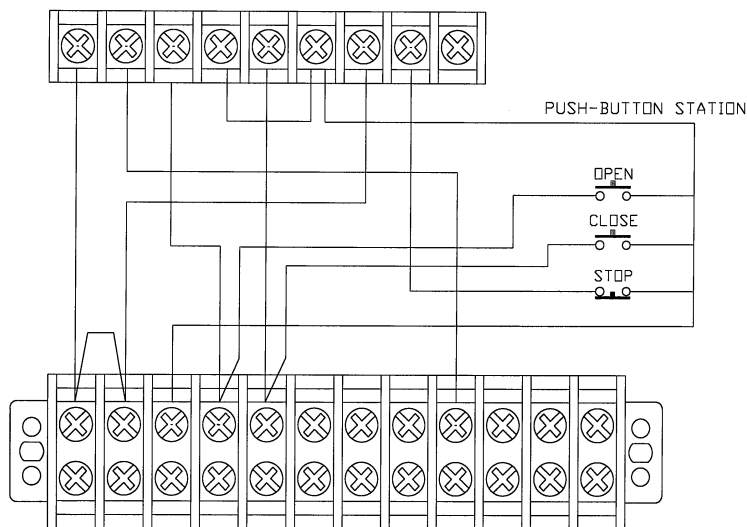
1 2 3 4 5 6 7 8 9



1 2 3 4 5 6 7 8 9
OPERATOR TERMINAL BLOCK

RADIO RECEIVER TERMINAL BLOCK

1 2 3 4 5 6 7 8 9



1 2 3 4 5 6 7 8 9
OPERATOR TERMINAL BLOCK