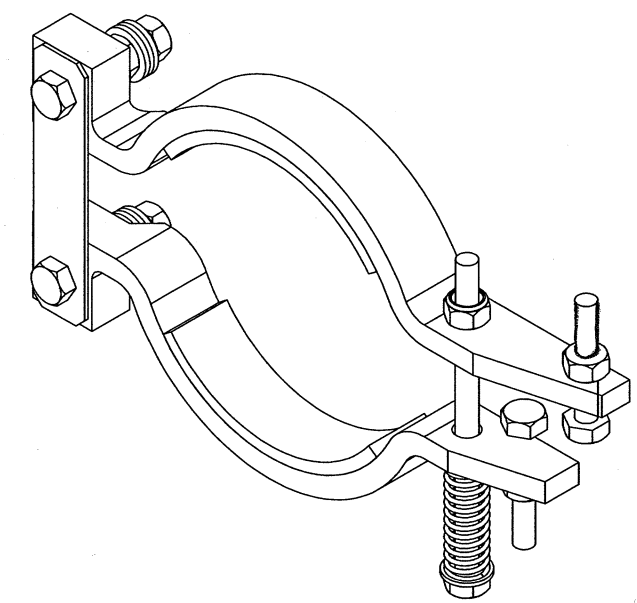
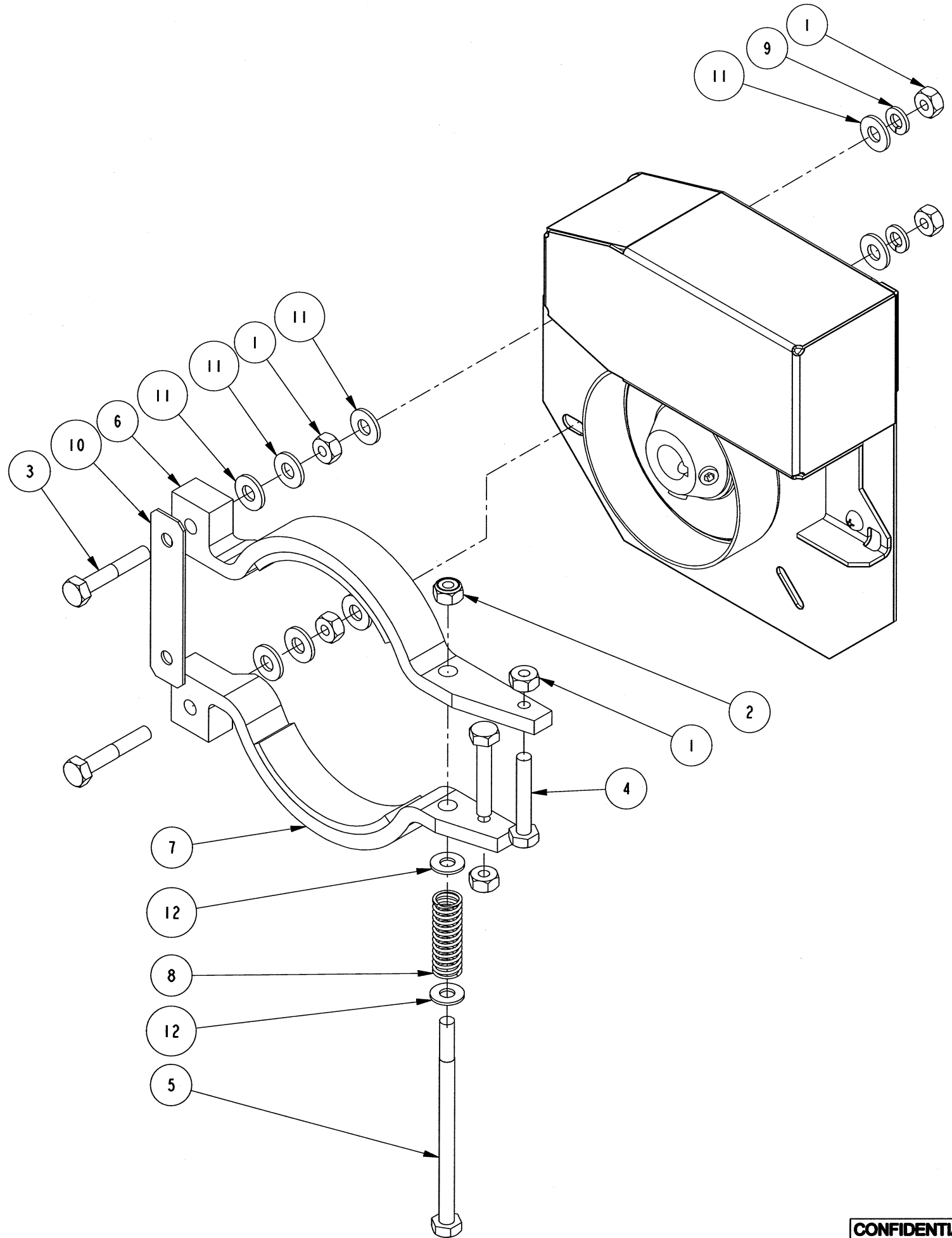


No	Qty	DESCRIPTION	# MANARAS	REV
1	6	1/4-20 HEX NUT ZP	NUT006	
2	1	1/4-20 HEX NYLON LOCK NUT ZP	NUT020	
3	2	1/4-20 X 1-1/2 HEX BOLT	BOLT008	
4	2	1/4-20 X 1-1/2 HEX BOLT	BOLT010	
5	1	1/4-20 X 4 HEX BOLT	BOLT016	
6	1	BRAKE SHOE LONG	SHOE022	
7	1	BRAKE SHOE SHORT	SHOE021	
8	1	BRAKE SPRING	SPRING002	
9	2	HELICAL SPRING LOCK WASHER 1/4 ZP	WASHER026	
10	1	SHOE SPREADER BRACKET	BRACKET226	0
11	8	TYPE A PLAIN WASHER 1/4 N ZP	WASHER004	
12	2	TYPE A PLAIN WASHER 3/16 ZP	WASHER003	



PART DESCRIPTION		
<b>SHOE021 &amp; SHOE022 BRAKE ASSEMBLY</b>		
PART NUMBER	MANARAS-OPERA	136 ONEIDA DRIVE POINTE-CLAIRE, QC, H9R 1A8 TEL: 1-800-361-2260 FAX: 1-888-626-0606
BRAKEPART020 (DRAWING022)		
DRAWN BY: J. PROULX		
DATE: 2010-10-26		
UPDATED BY: —		
DATE: —		SHEET: 1 of 1

**CONFIDENTIAL:** THIS DRAWING AND/OR THE INFORMATION CONTAINED HEREIN IS AND REMAINS THE SOLE PROPERTY OF, AND IS PROPRIETARY TO, MANARAS-OPERA. THIS DRAWING AND/OR INFORMATION SHALL BE KEPT CONFIDENTIAL AND MAY NOT BE REPRODUCED, COPIED, MODIFIED, DISCLOSED, TRANSFERRED, OR MADE AVAILABLE TO OTHERS, EXCEPT WITH THE EXPRESS CONSENT OF MANARAS-OPERA. IT IS LOANED IN CONFIDENCE FOR MUTUAL ASSISTANCE PURPOSES ONLY. MANARAS-OPERA MAY AT ANY TIME, WRITTEN MODIFY THE DRAWING AND/OR INFORMATION CONTAINED HEREIN.